

Solenoid operated valves pilot operated poppet type
2-way normally closed proximity sensor
Special cavity, 021-E

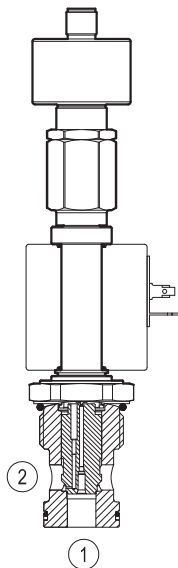
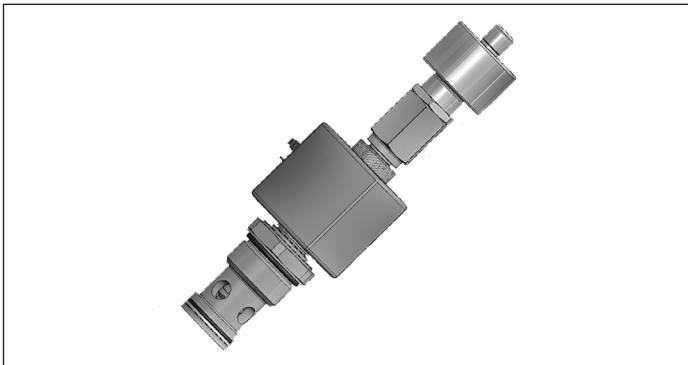
VESP-16G-16A/00-2A-N7

OD.15.05.21.65 - Y - Z

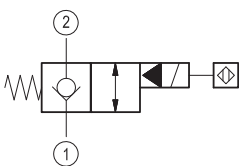
RE 18325-05

Edition: 01.2016

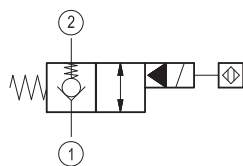
Replaces: 07.2015



▼ **Version 04**



▼ **Version 84**



Technical data

| General | | |
|--|-------------------|---|
| Weight | | 0.9 kg (2 lbs) |
| Installation orientation | | Optional |
| Ambient temperature range | | -25 to 60 °C (-13 to 140 °F) |
| Hydraulic | | |
| Max. operating pressure | | 350 bar (5000 psi) |
| Flow range | | 5 - 150 l/min (1 - 40 gpm) |
| Max. internal leakage ¹⁾ | | 20 drops/min. |
| Fluid temperature range | | -20 to 80 °C (-4 to 176 °F) |
| Fluids: Mineral-based or synthetics with lubricating properties at viscosities of 15 to 380 mm ² /s (cSt) | | |
| Installation torque | | 80 - 100 Nm (59 - 74 ft-lbs) |
| Recommended degree of fluid contamination | | Nominal value max. 10 µm (NAS 8) ISO 4406 19/17/14 |
| MTTFd | | 150 years see RE 18350-51 |
| Special cavity | | 021-E see 18325-75 |
| Lines bodies and standard assemblies | | Please refer to section "Hydraulic integrated circuit" or consult factory |
| Seal kit | code material no. | RG21E201052010 R934003566 |
| Other technical data | | See data sheet 18350-50 |
| Electrical | | |
| Type of voltage | | DC voltage |
| Coil type | | S7 see 18325-90 |
| Supply voltage | | See data sheet 18325-90 |
| Nominal voltage | | ± 10% |
| Power consumption | | 30 W |
| Duty cycle coil | | 100 % see 18325-90 |
| Type of protection | | See data sheet 18325-90 |

¹⁾ (cSt 46)

Please consider that a proper function of the valve is guaranteed only if the position of the monitor is not modified; each cartridge is provided of a torque confirmation mark, intended as anti-tampering device.

Sensor is protected against short circuit polarity inversion.

Ordering code

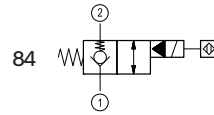
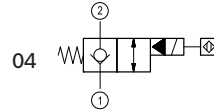
| | | | | | |
|-------|----|----|----|---|---|
| OD.15 | 05 | 21 | 65 | Y | Z |
|-------|----|----|----|---|---|

Solenoid operated valves
pilot operated poppet type
2-way normally closed proximity sensor

OB 12 V DC for Y=84

OC 24 V DC for Y=04 or 84

Note: please consult factory for different voltages.



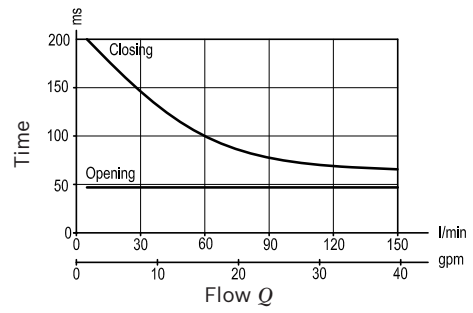
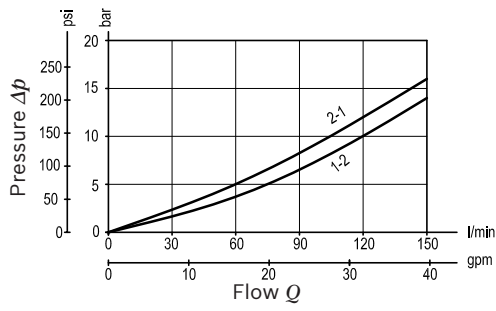
Special cavity: 021-E

| Type | Material number |
|----------------|-----------------|
| OD1505216504OC | R934004627 |
| OD1505216584OB | R934004630 |
| OD1505216584OC | R934004628 |
| | |
| | |
| | |

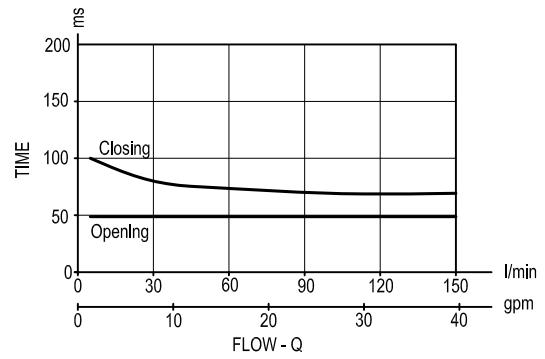
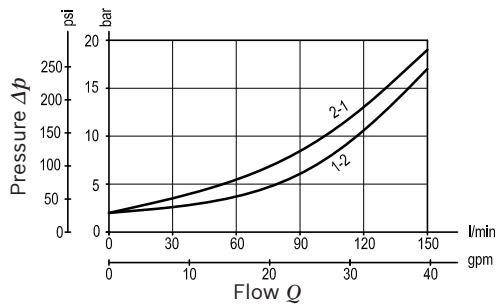
| Type | Material number |
|------|-----------------|
| | |
| | |
| | |
| | |
| | |

Characteristic curves

Version 04

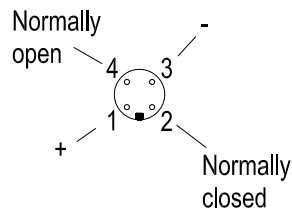
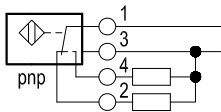


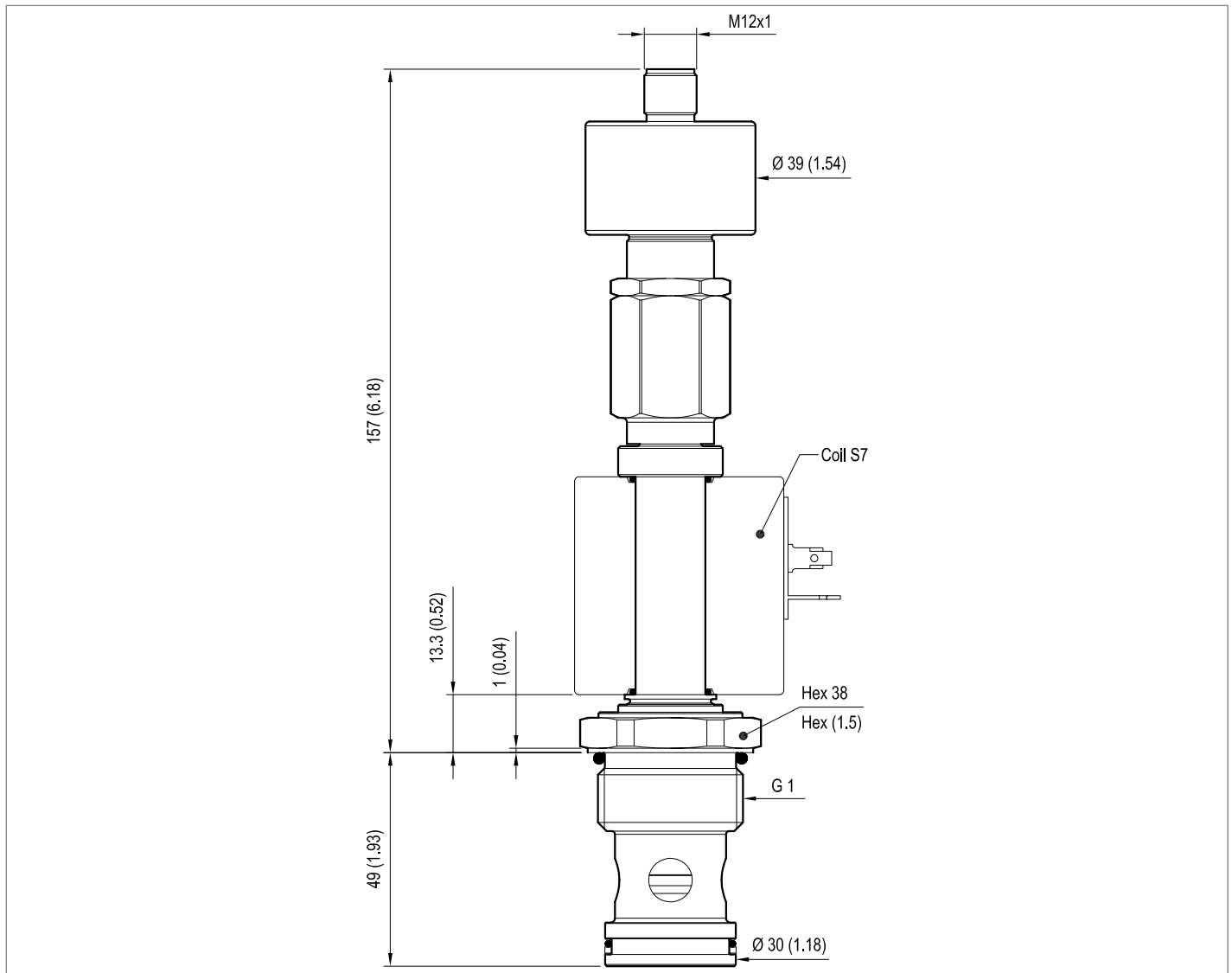
Version 84



Sensor data:

| | | |
|----------------|------------|----------|
| | 12 V DC | 24 V DC |
| Supply voltage | 10.5 to 16 | 20 to 32 |
| Output load | ≤ 400 mA | ≤ 400 mA |



Dimensions▼ **Version 04-84: Solenoid operated valve, poppet 2-way normally closed proximity sensor****Bosch Rexroth Oil Control S.p.A.**

Via Leonardo da Vinci 5
 P.O. Box no. 5
 41015 Nonantola – Modena, Italy
 Tel. +39 059 887 611
 Fax +39 059 547 848
 compact-hydraulics-cv@boschrexroth.com
 www.boschrexroth.com/compacthydraulics

© This document, as well as the data, specifications and other information set forth in it, are the exclusive property of Bosch Rexroth Oil Control S.p.a.. It may not be reproduced or given to third parties without its consent. The data specified above only serve to describe the product. No statements concerning a certain condition or suitability for a certain application can be derived from our information. The information given does not release the user from the obligation of own judgment and verification. It must be remembered that our products are subject to a natural process of wear and aging. Subject to change.