

Solenoid operated valves pilot operated poppet type
2-way normally closed proximity sensor with overlapping
extra spring

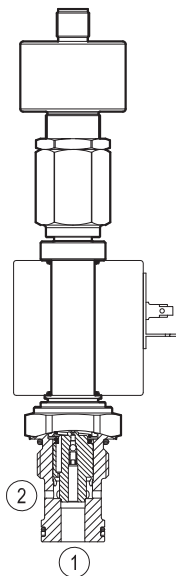
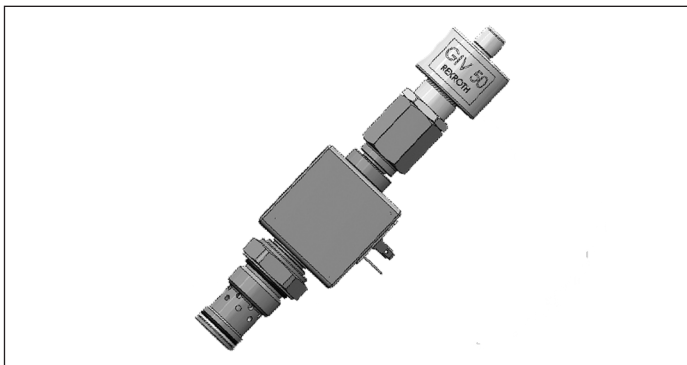
Special cavity, 017-E

VESP-12G-16A/00-2A05-N7

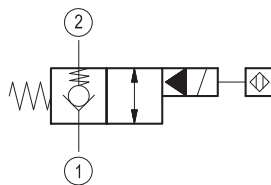
RE 18325-04

Edition: 10.2020

OD.15.05.17.65.04 - Z



▼ **Version 05**



Technical data

General	
Weight	0.75 kg (1.65 lbs)
Installation orientation	Optional
Ambient temperature range	-25 to 60 °C (-13 to 140 °F)
Hydraulic	
Max. operating pressure	350 bar (5000 psi)
Flow range	5 - 70 l/min (1 - 18 gpm)
Max. internal leakage	15 drops/min.
Fluid temperature range	-20 to 80 °C (-4 to 176 °F)
Fluids: Mineral-based or synthetics with lubricating properties at viscosities of 15 to 380 mm ² /s (cSt)	
Installation torque	50 - 55 Nm (37-41 ft-lbs)
Recommended degree of fluid contamination	Nominal value max. 10 µm (NAS 8) ISO 4406 19/17/14
MTTFD	150 years see RE 18350-51
DC	99% * according to ISO 13849-1/2
Special cavity	017-E see 18325-75
Lines bodies and standard assemblies	Please refer to section "Hydraulic integrated circuit" or consult factory
Seal kit – version 05	code material no. RG17E201052010 R934003562
Other technical data	See data sheet 18350-50
Electrical	
Type of voltage	DC voltage
Coil type	S7 see 18325-90
Supply voltage	See data sheet 18325-90
Nominal voltage	± 10%
Power consumption	30 W
Duty cycle coil	100 % see 18325-90
Type of protection	See data sheet 18325-90

Please consider that a proper function of the valve is guaranteed only if the position of the monitor is not modified; each cartridge is provided of a torque confirmation mark, intended as anti-tampering device.

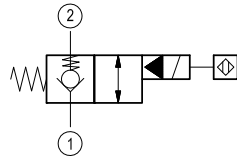
Sensor is protected against short circuit polarity inversion.

* For more details contact factory

Ordering code

OD.15	05	17	6504	Z
--------------	-----------	-----------	-------------	----------

Solenoid operated valves
 pilot operated poppet type
 2-way normally closed proximity sensor with overlapping



OB 12 V DC

OC 24 V DC

Note: please consult factory for different voltages.

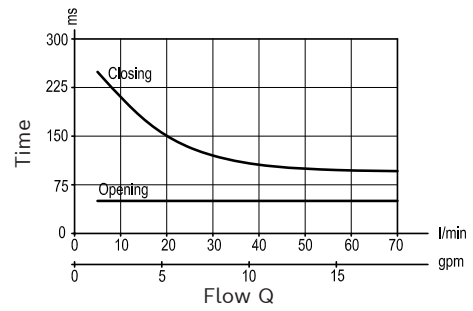
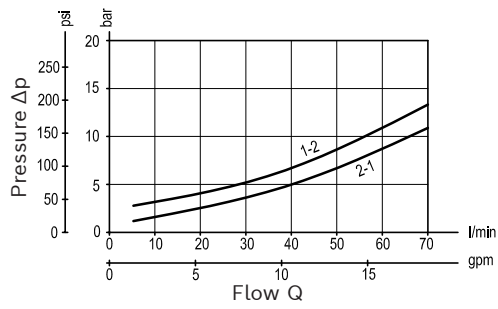
Special cavity: 017-E

Type	Material number
OD1505176504OB	R934004675
OD1505176504OC	R934004674

Type	Material number

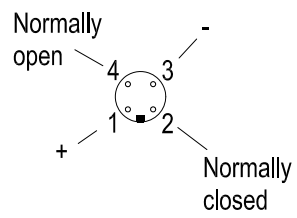
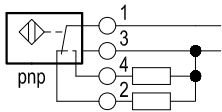
Characteristic curves

Version 05



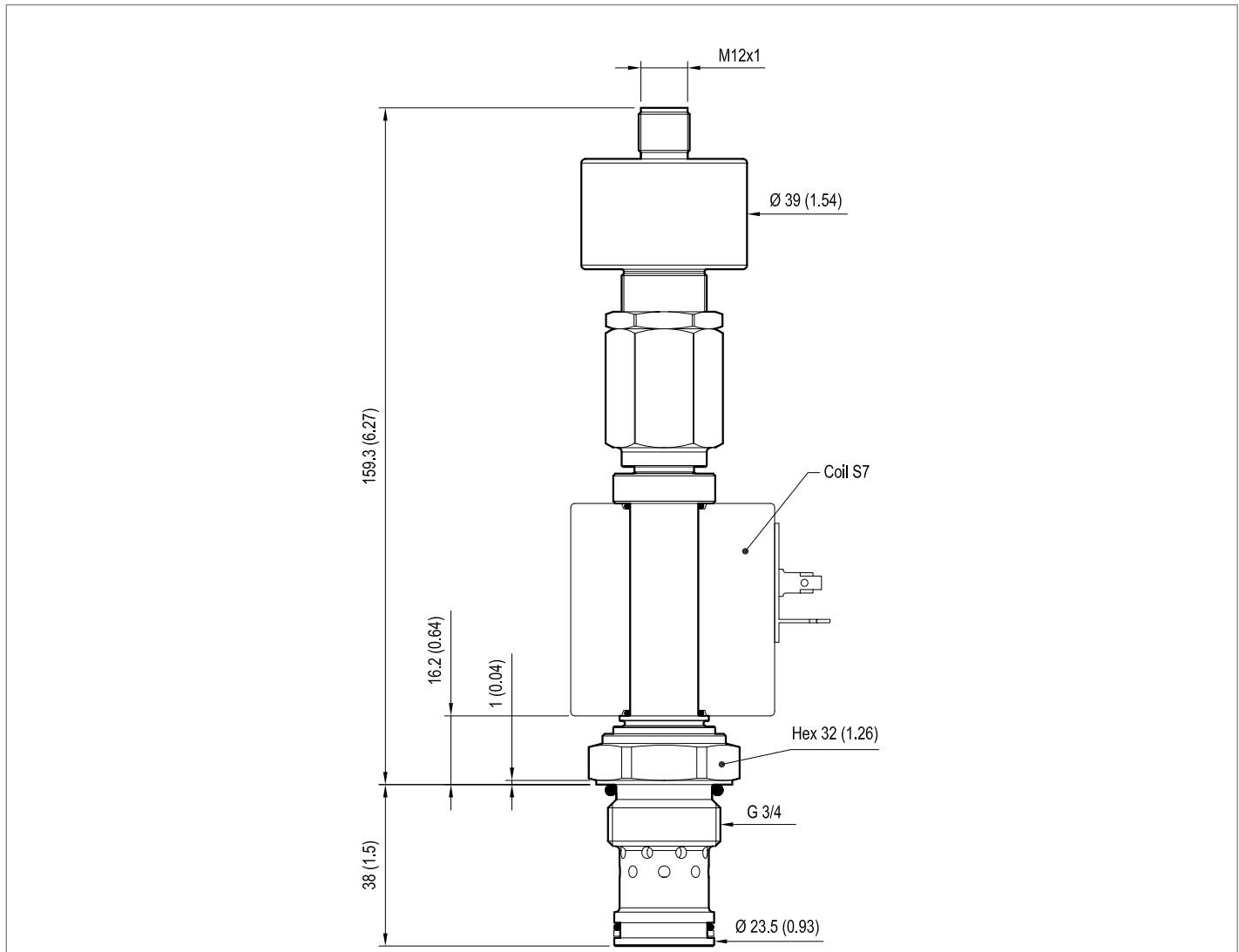
Sensor data:

	12 V DC	24 V DC
Supply voltage	10.5 to 16	20 to 32
Output load	≤ 400 mA	≤ 400 mA



Dimensions

▼ Version 05: Solenoid operated valve, poppet 2-way normally closed proximity sensor - extra spring

**Bosch Rexroth Oil Control S.p.A.**

Via Leonardo da Vinci 5
 P.O. Box no. 5
 41015 Nonantola – Modena, Italy
 Tel. +39 059 887 611
 Fax +39 059 547 848
 compact-hydraulics-cv@boschrexroth.com
 www.boschrexroth.com/compacthydraulics

© This document, as well as the data, specifications and other information set forth in it, are the exclusive property of Bosch Rexroth Oil Control S.p.a.. It may not be reproduced or given to third parties without its consent. The data specified above only serve to describe the product. No statements concerning a certain condition or suitability for a certain application can be derived from our information. The information given does not release the user from the obligation of own judgment and verification. It must be remembered that our products are subject to a natural process of wear and aging. Subject to change.