

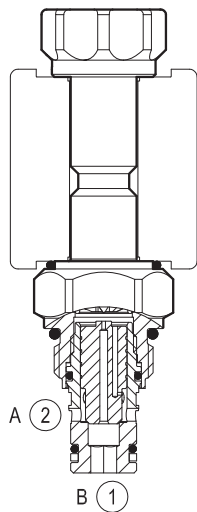
VALVES IN PHASE OUT
Valves replaced by new VEI-16 (RE18323-26)

Solenoid operated valves pilot operated poppet type
 2-way normally open
 Common cavity, Size 08

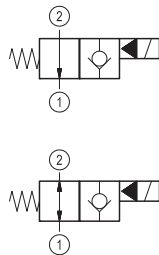
RE 18323-05
 Edition: 01.2016
 Replaces: 10.2013

VEI-8I-06-NA

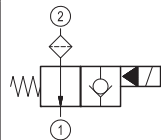
OD.15 - X - 18 - Y - S0



▼ **Version 1**



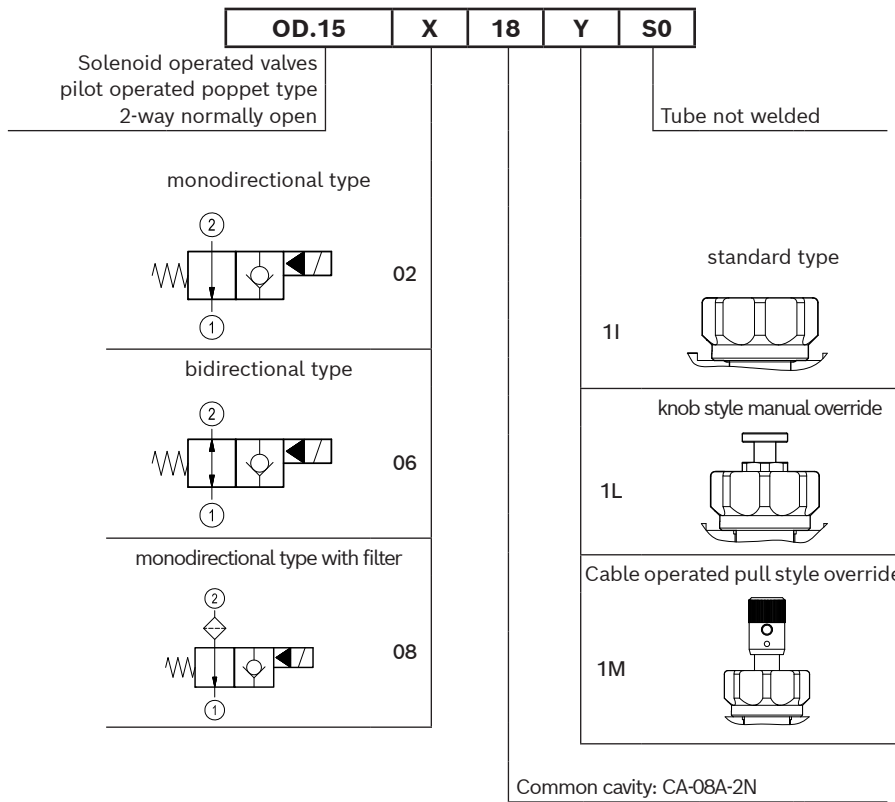
▼ **Version 2**



Technical data

General		
Weight		0.11 kg (0.24 lbs)
Installation orientation		Optional
Ambient temperature range		-30 to 60 °C (-22 to 140 °F)
Hydraulic		
Max. operating pressure		350 bar (5000 psi)
Max. proof pressure		420 bar (6000 psi)
Flow range		0.5 - 30 l/min (0.1 - 8 gpm)
Fatigue cycle life		1 million cycles at 350 bar
Max. internal leakage		20 drops/min.
Fluid temperature range		-20 to 80 °C (-4 to 176 °F)
Fluids: Mineral-based or synthetics with lubricating properties at viscosities of 20 to 380 mm ² /s (cSt)		
Installation torque		39 - 51 Nm (29 - 38 ft-lbs)
Recommended degree of fluid contamination		Nominal value max. 10 µm (NAS 8) ISO 4406 19/17/14
MTTFd		150 years see RE 18350-51
Cavity		CA-08A-2N see 18325-70
Lines bodies and standard assemblies		Please refer to section "Hydraulic integrated circuit" or consult factory
Seal kit	code material no.	RG08A2010520100 R901101437
Seal kit coil	code material no.	RG1211PNBR7010 R934003957
Other technical data		See data sheet 18350-50
Electrical		
Type of voltage		DC voltage
Coil type		S8-356 see 18325-90
Supply voltage		See data sheet 18325-90
Nominal voltage		± 10%
Power consumption		20 W
Duty cycle coil		See characteristic curves %
Type of protection		See data sheet 18325-90
Note: Coils must be ordered separately		

Ordering code



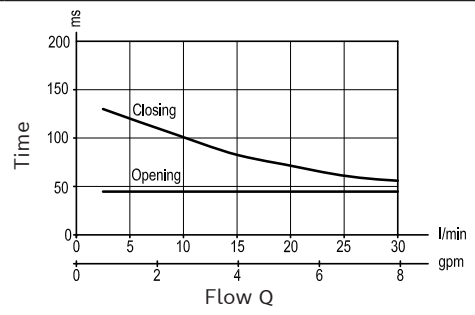
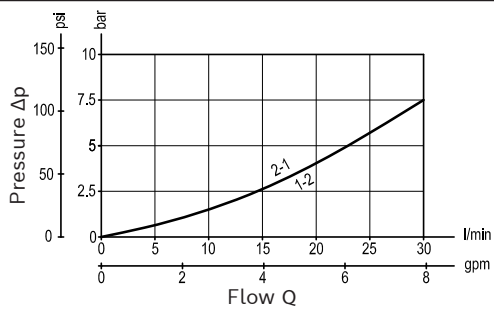
Type	Material number
OD1502181IS000	R901091107
OD1502181LS000	R901091108
OD1502181MS000	R901094588
OD1506181IS000	R901091133
OD1506181LS000	R901091134
OD1506181MS000	R901091135

Type	Material number
OD1508181IS000	R901091146
OD1508181LS000	R901091148
OD1508181MS000	R901091149

Characteristic curves

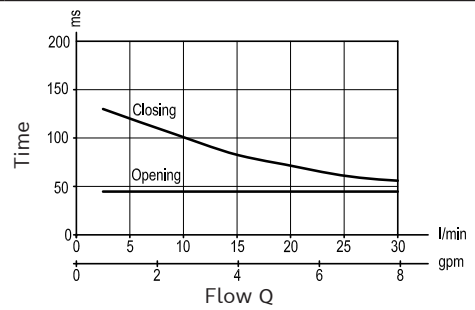
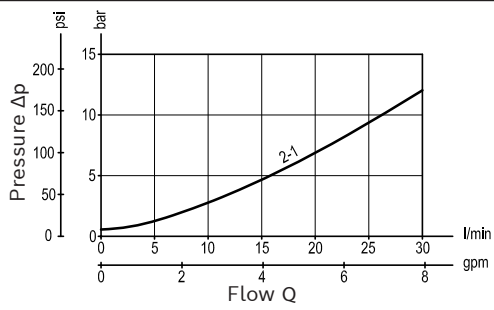
Version 1

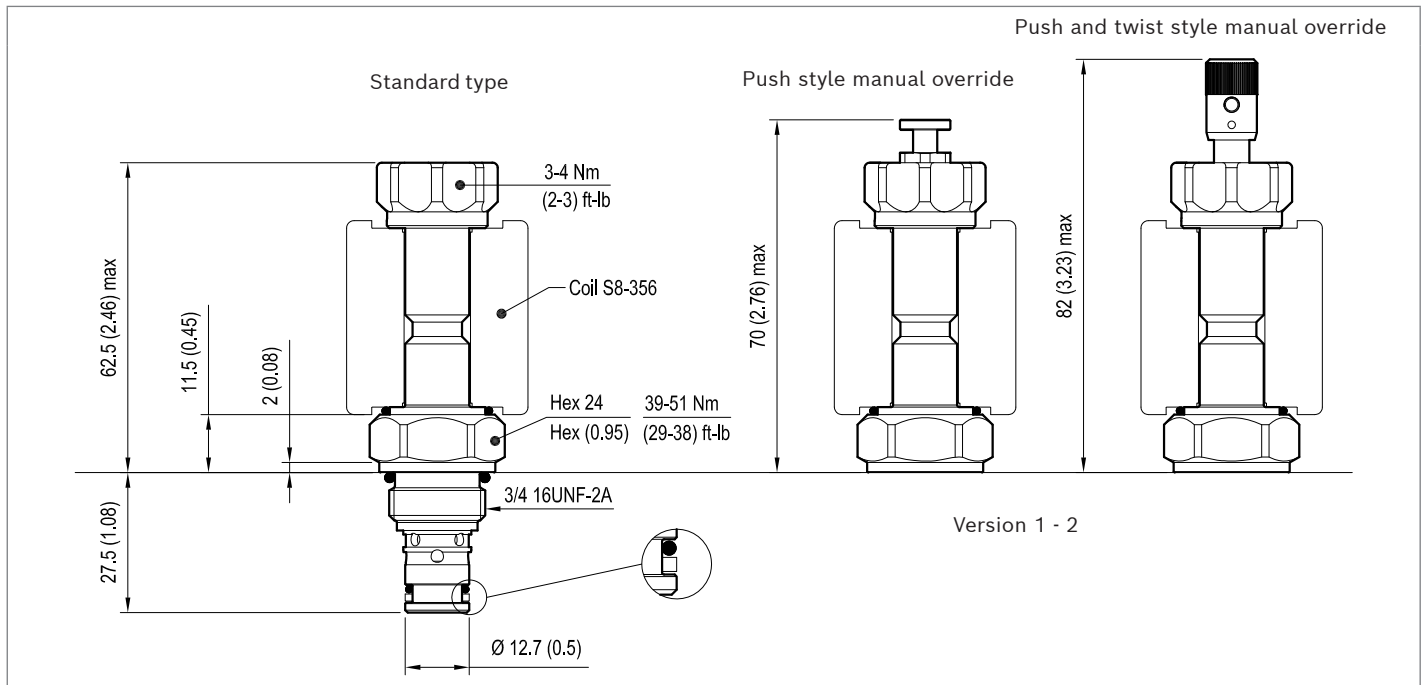
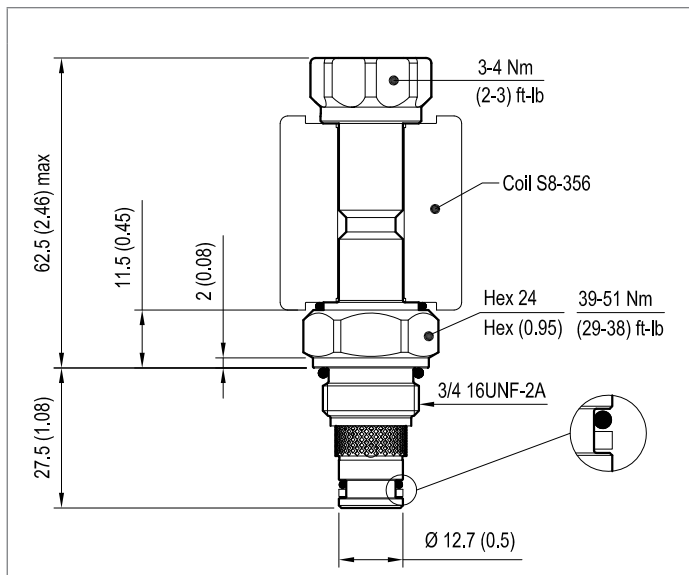
Standard



Version 2

Standard



Dimensions**▼ Version 1: Solenoid operated valve, poppet 2-way normally open****▼ Version 2: Solenoid operated valve, poppet 2-way normally open - filter****Bosch Rexroth Oil Control S.p.A.**

Via Leonardo da Vinci 5
P.O. Box no. 5
41015 Nonantola - Modena, Italy
Tel. +39 059 887 611
Fax +39 059 547 848
compact-hydraulics-cv@boschrexroth.com
www.boschrexroth.com/compacthydraulics

© This document, as well as the data, specifications and other information set forth in it, are the exclusive property of Bosch Rexroth Oil Control S.p.a.. It may not be reproduced or given to third parties without its consent. The data specified above only serve to describe the product. No statements concerning a certain condition or suitability for a certain application can be derived from our information. The information given does not release the user from the obligation of own judgment and verification. It must be remembered that our products are subject to a natural process of wear and aging. Subject to change.