

Solenoid operated valves pilot operated poppet type
2-way normally open proximity sensor
Special cavity, 076-E

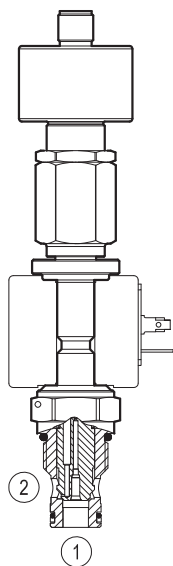
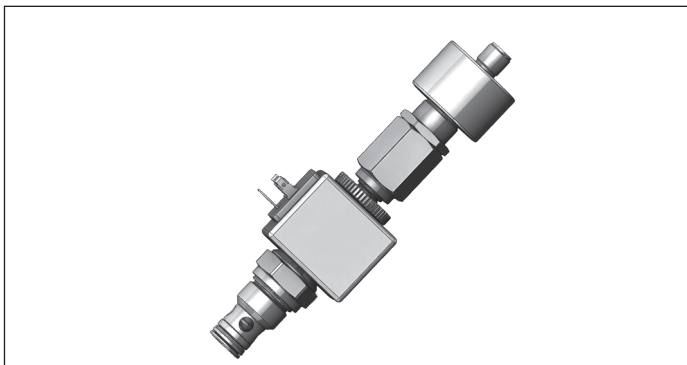
VEI-8A-2A-09-NA-S-M-NSS

OD.15.06.76.1D.S2 - Z

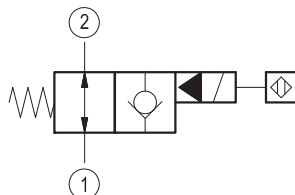
RE 18325-08

Edition: 01.2016

Replaces: 10.2013



▼ **Version 06**



Technical data

General		
Weight		0.75 kg (1.65 lbs)
Installation orientation		Optional
Ambient temperature range		-25 to 60 °C (-13 to 140 °F)
Hydraulic		
Max. operating pressure		350 bar (5000 psi)
Flow range		2.5 - 70 l/min (0.66 - 18 gpm)
Max. internal leakage		15 drops/min.
Fluid temperature range		-20 to 80 °C (-4 to 176 °F)
Fluids: Mineral-based or synthetics with lubricating properties at viscosities of 15 to 380 mm ² /s (cSt)		
Installation torque		41 - 47 Nm (30 - 35 ft-lbs)
Recommended degree of fluid contamination		Nominal value max. 10 µm (NAS 8) ISO 4406 19/17/14
MTTFd		150 years see RE 18350-51
Special cavity		076-E see 18325-75
Lines bodies and standard assemblies		Please refer to section "Hydraulic integrated circuit" or consult factory
Seal kit – version 06	code	RG10A2010520100
	material no.	R901111363
Other technical data		See data sheet 18350-50

Electrical	
Type of voltage	DC voltage
Coil type	S8-356 see 18325-90
Supply voltage	See data sheet 18325-90
Nominal voltage	± 10%
Power consumption	20 W
Duty cycle coil	100 % see 18325-90
Type of protection	See data sheet 18325-90

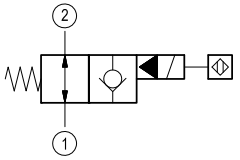
Please consider that a proper function of the valve is guaranteed only if the position of the monitor is not modified; each cartridge is provided of a torque confirmation mark, intended as anti-tampering device.

Sensor is protected against short circuit polarity inversion.

Ordering code

OD.15	06	76	1DS2	Z
--------------	-----------	-----------	-------------	----------

Solenoid operated valves
pilot operated poppet type
2-way normally open proximity sensor



AC 26 V DC

Note: please consult factory for different voltages.

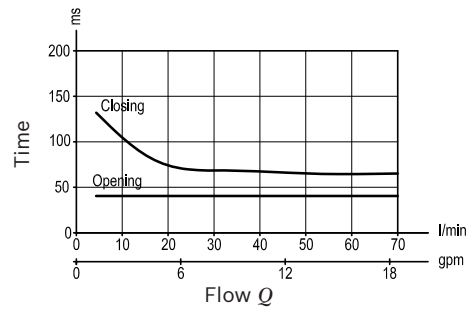
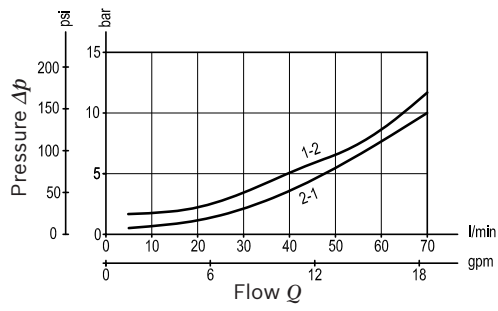
Special cavity: 076-E

Type	Material number
OD1506761DS2AC	R934001233

Type	Material number

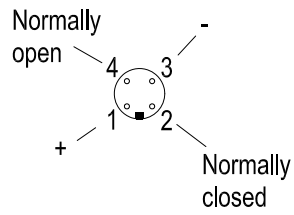
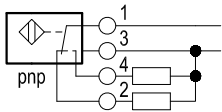
Characteristic curves

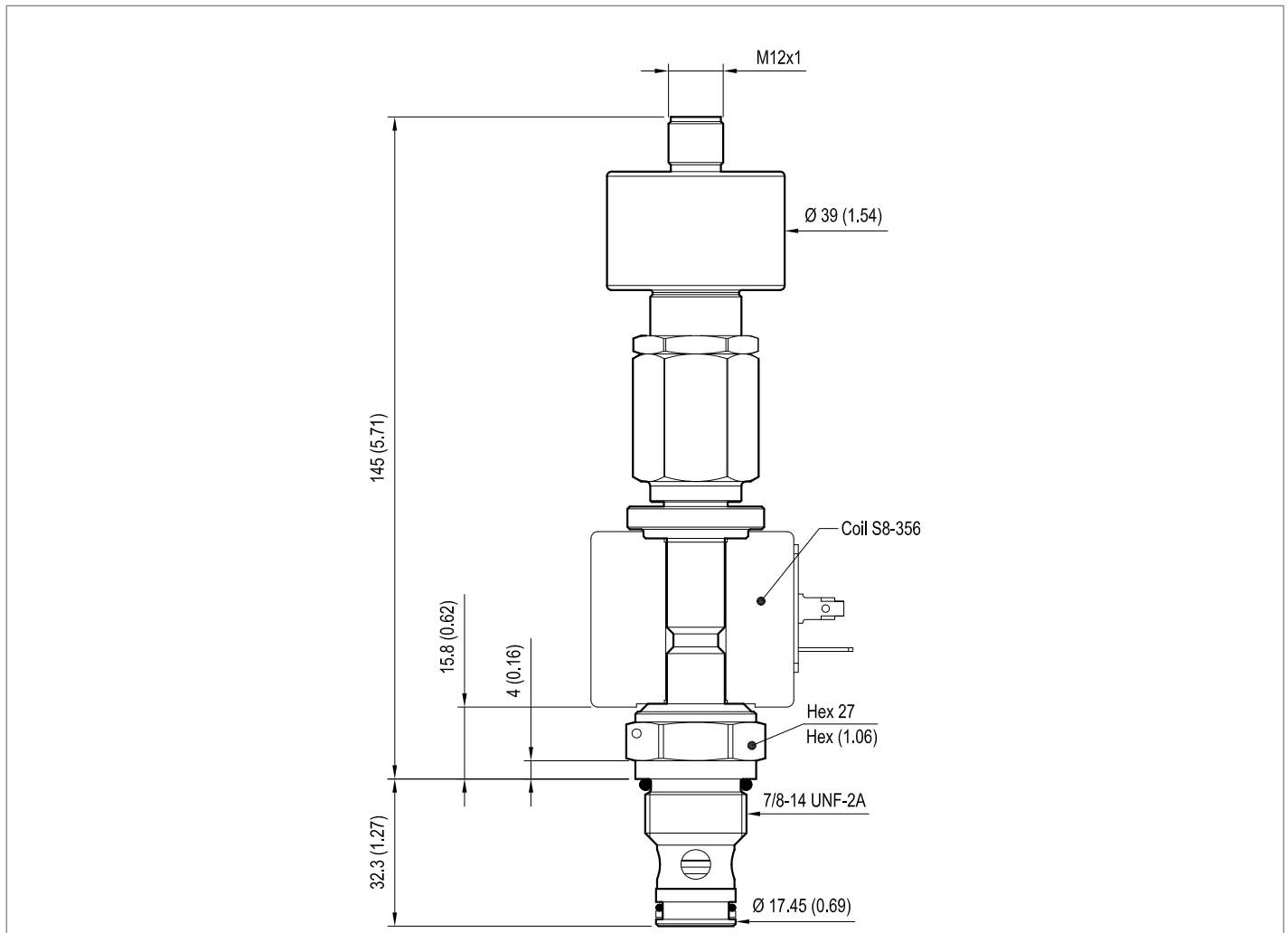
Version 06



Sensor data:

	26 V DC
Supply voltage	20 to 32
Output load	≤ 400 mA



Dimensions**▼ Version 06: Solenoid operated valve, poppet 2-way normally open proximity sensor****Bosch Rexroth Oil Control S.p.A.**

Via Leonardo da Vinci 5
P.O. Box no. 5
41015 Nonantola – Modena, Italy
Tel. +39 059 887 611
Fax +39 059 547 848
compact-hydraulics-cv@boschrexroth.com
www.boschrexroth.com/compacthydraulics

© This document, as well as the data, specifications and other information set forth in it, are the exclusive property of Bosch Rexroth Oil Control S.p.a.. It may not be reproduced or given to third parties without its consent. The data specified above only serve to describe the product. No statements concerning a certain condition or suitability for a certain application can be derived from our information. The information given does not release the user from the obligation of own judgment and verification. It must be remembered that our products are subject to a natural process of wear and aging. Subject to change.