

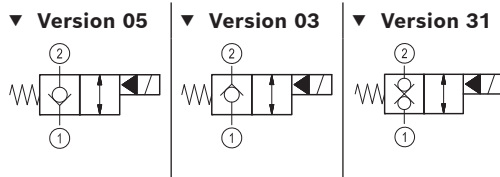
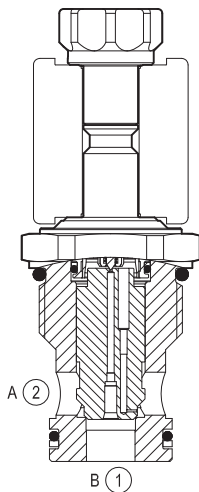
VALVES IN PHASE OUT
Valves replaced by new VEI-16 (RE18323-41)

Solenoid operated valves pilot operated poppet type
 2-way normally closed
 Common cavity, Size 16

RE 18323-17
 Edition: 01.2016
 Replaces: 10.2013

VEI-8A-16A-NC

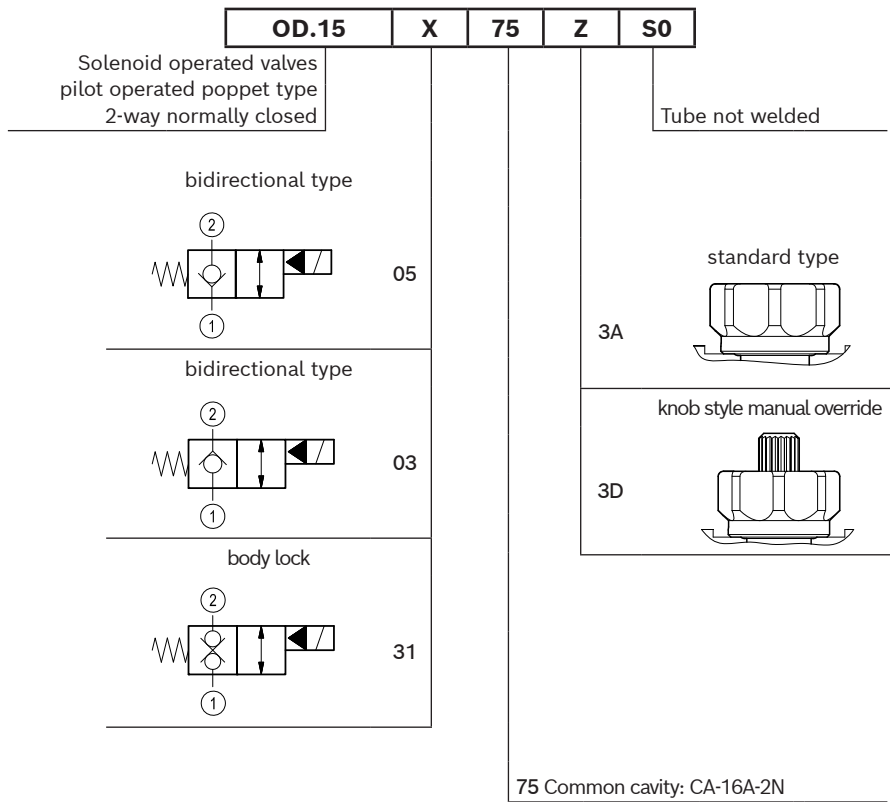
OD.15 - X - 75 - Y - S0



Technical data

General	
Weight	0.32 kg (0.71 lbs)
Installation orientation	Optional
Ambient temperature range	-30 to 60 °C (-22 to 140 °F)
Hydraulic	
Max. operating pressure	350 bar (5000 psi)
Max. proof pressure	420 bar (6000 psi)
Flow range	5 - 150 l/min (1 - 40 gpm)
Fatigue cycle life	1 million cycles at 350 bar
Max. internal leakage	20 drops/min.
Fluid temperature range	-20 to 80 °C (-4 to 176 °F)
Fluids: Mineral-based or synthetics with lubricating properties at viscosities of 20 to 380 mm ² /s (cSt)	
Installation torque	130 - 150 Nm (96 - 111 ft-lbs)
Recommended degree of fluid contamination	Nominal value max. 10 µm (NAS 8) ISO 4406 19/17/14
MTTFd	150 years see RE 18350-51
Cavity	CA-16A-2N see 18325-70
Lines bodies and standard assemblies	Please refer to section "Hydraulic integrated circuit" or consult factory
Seal kit – version 05	code R934004079 material no. RG75E201052010
Seal kit – version 03-31	code R934004080 material no. RG75E201053010
Seal kit coil	code R934003958 material no. RG12A1PNBR7010
Other technical data	See data sheet 18350-50
Electrical	
Type of voltage	DC voltage
Coil type	S8-356 see 18325-90
Supply voltage	See data sheet 18325-90
Nominal voltage	± 10%
Power consumption	20 W
Duty cycle coil	See characteristic curves %
Type of protection	See data sheet 18325-90
Note: Coils must be ordered separately	

Ordering code



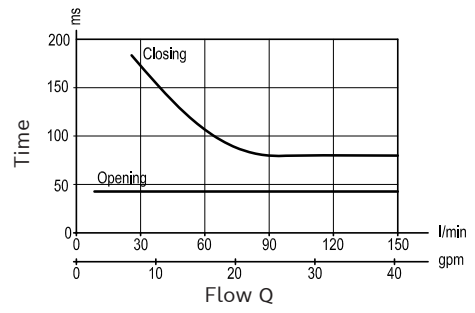
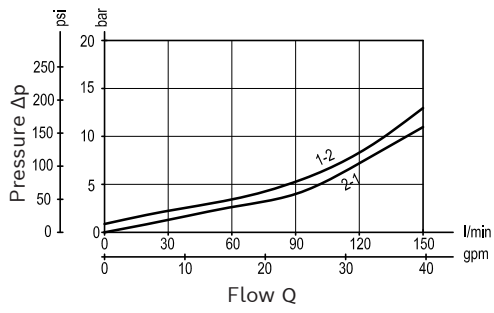
Type	Material number
OD1503753AS000	R901094726
OD1505753AS000	R901094745
OD1505753DS000	R901094746
OD1531753AS000	R901094747
OD1531753DS000	R901094748

Type	Material number

Characteristic curves

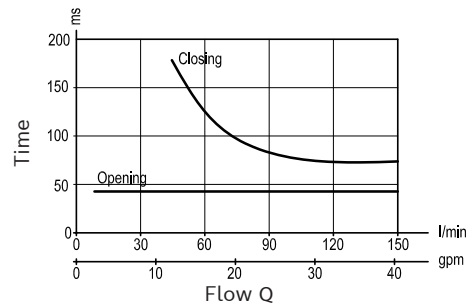
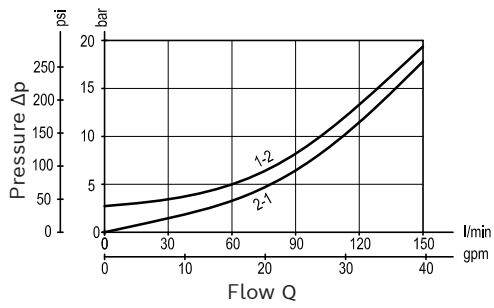
Version 05-03

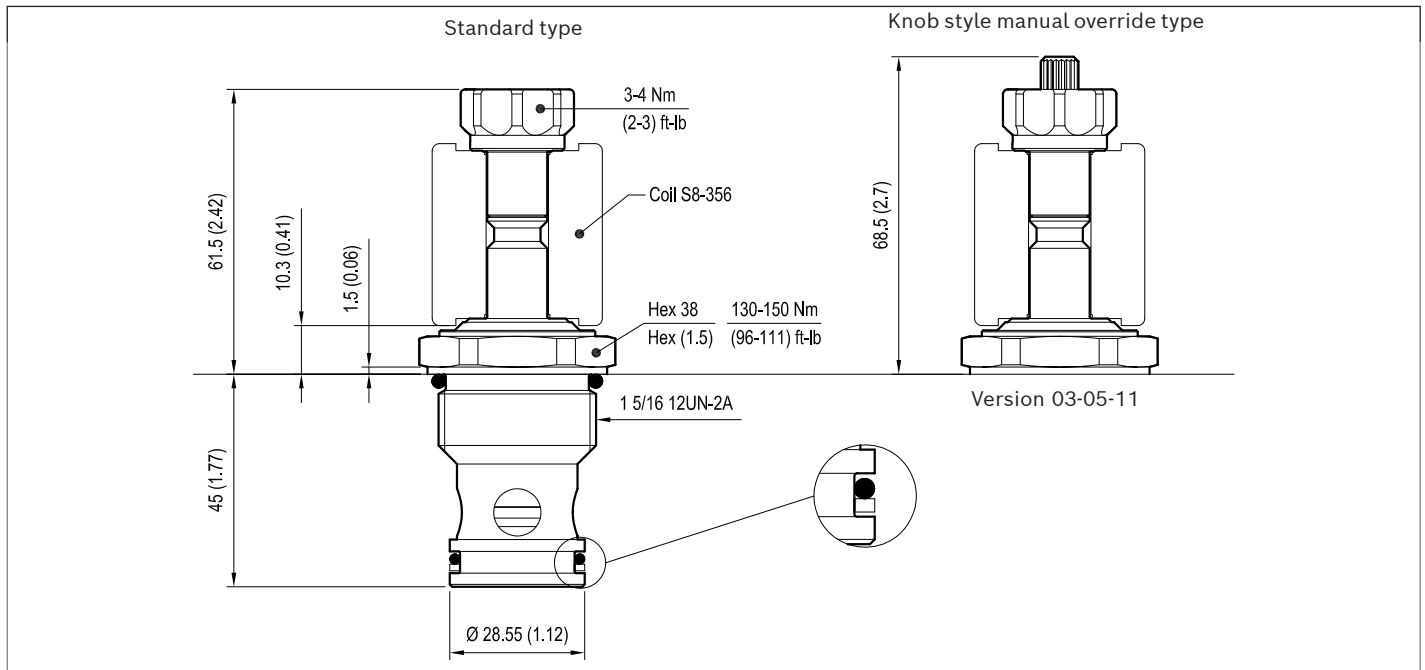
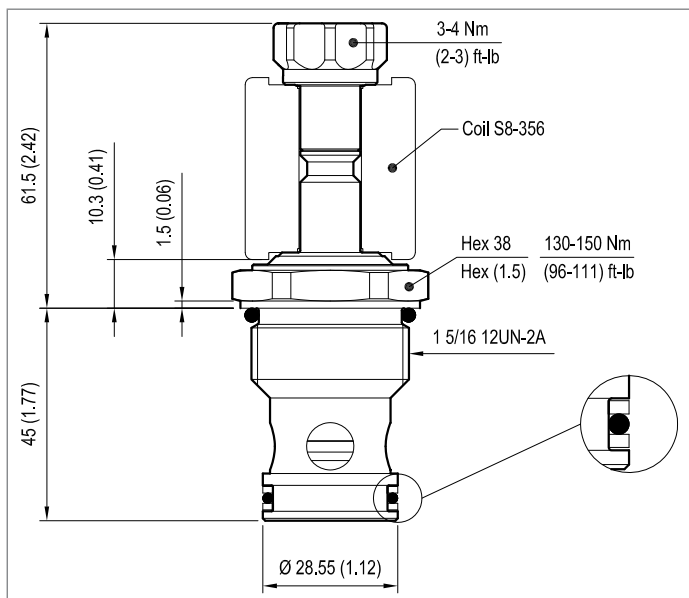
Standard



Version 31

Standard



Dimensions**▼ Version 05: Solenoid operated valves, poppet 2-way normally closed****▼ Version 03: Solenoid operated valves, poppet 2-way normally closed****▼ Version 31: Solenoid operated valves, poppet 2-way double lock normally closed****Bosch Rexroth Oil Control S.p.A.**

Via Leonardo da Vinci 5
 P.O. Box no. 5
 41015 Nonantola – Modena, Italy
 Tel. +39 059 887 611
 Fax +39 059 547 848
 compact-hydraulics-cv@boschrexroth.com
 www.boschrexroth.com/compacthydraulics

© This document, as well as the data, specifications and other information set forth in it, are the exclusive property of Bosch Rexroth Oil Control S.p.a.. It may not be reproduced or given to third parties without its consent. The data specified above only serve to describe the product. No statements concerning a certain condition or suitability for a certain application can be derived from our information. The information given does not release the user from the obligation of own judgment and verification. It must be remembered that our products are subject to a natural process of wear and aging. Subject to change.