

VALVES IN PHASE OUT
Valves replaced by new VEI-16 (RE18323-38)

Solenoid operated valves pilot operated poppet type
 2-way normally open
 Special cavity, 021-E

VEI-8A-12-NA

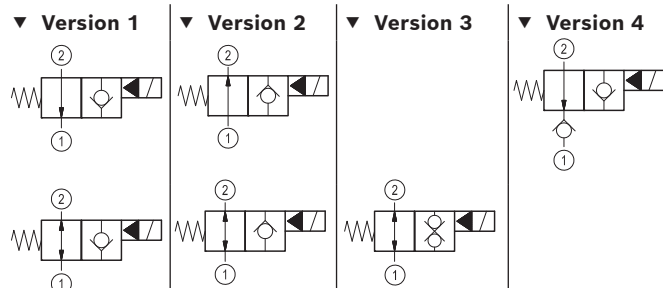
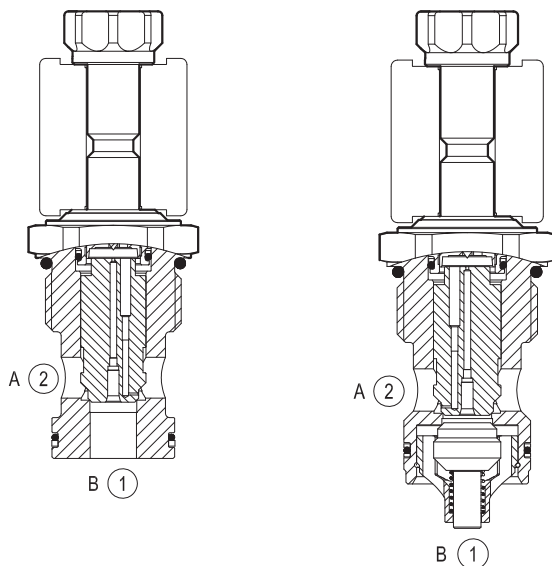
OD.15 - X - 21 - Y - S0

RE 18323-08
 Edition: 01.2016
 Replaces: 03.2013

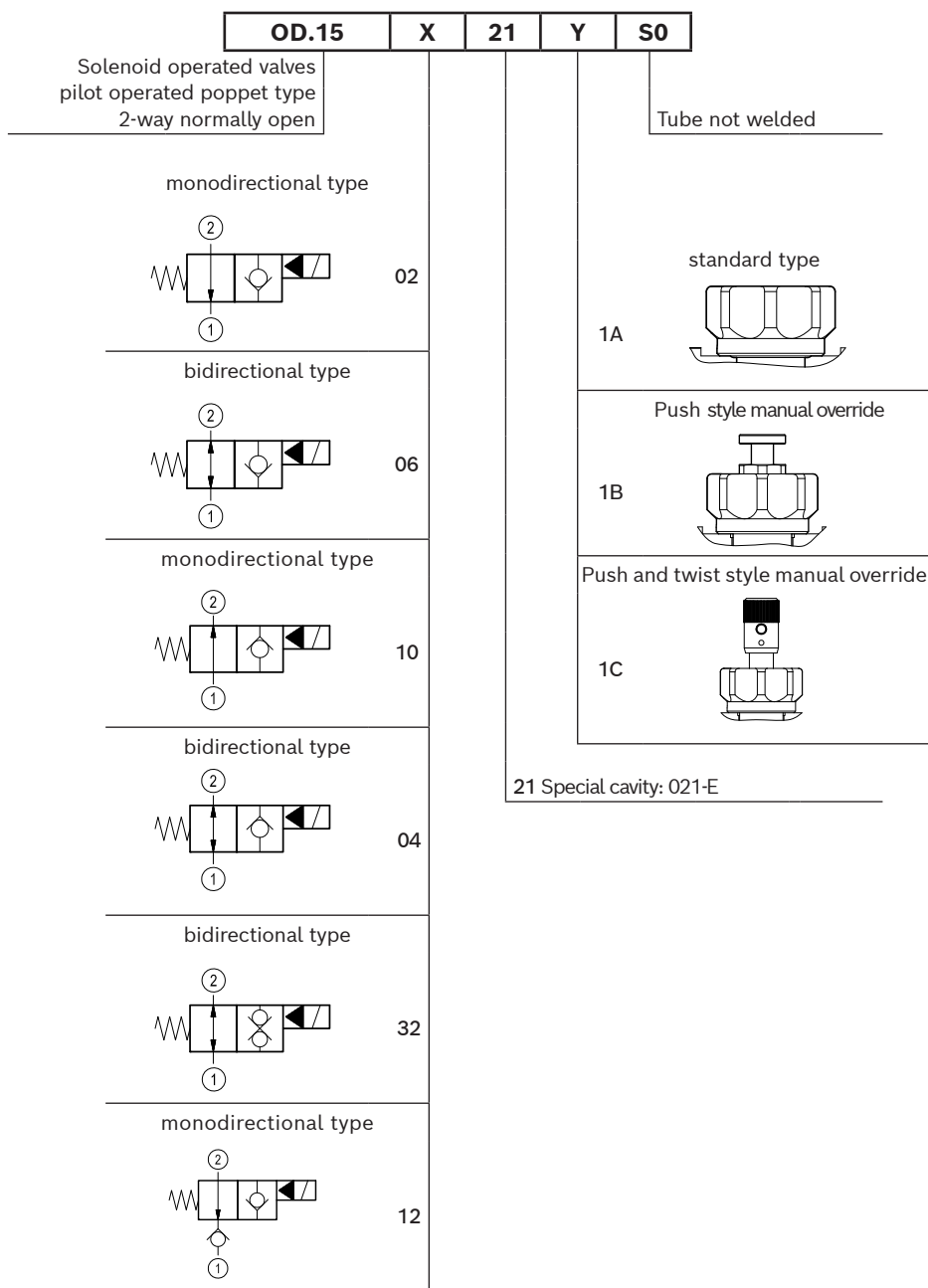


Technical data

General	
Weight	0.34 kg (0.75 lbs)
Installation orientation	Optional
Ambient temperature range	-30 to 60 °C (-22 to 140 °F)
Hydraulic	
Max. operating pressure	350 bar (5000 psi)
Max. proof pressure	420 bar (6000 psi)
Flow range	5 - 150 l/min (1 - 40 gpm)
Fatigue cycle life	1 million cycles at 350 bar
Max. internal leakage	20 drops/min.
Fluid temperature range	-20 to 80 °C (-4 to 176 °F)
Fluids: Mineral-based or synthetics with lubricating properties at viscosities of 20 to 380 mm ² /s (cSt)	
Installation torque	130 - 150 Nm (96 - 111 ft-lbs)
Recommended degree of fluid contamination	Nominal value max. 10 µm (NAS 8) ISO 4406 19/17/14
MTTFd	150 years see RE 18350-51
Lines bodies and standard assemblies	Please refer to section "Hydraulic integrated circuit" or consult factory
Special cavity	021-E see 18325-75
Seal kit – version 1	code material no. RG21E201052010 R934003566
Seal kit – version 2-3-4	code material no. RG21E201053010 R934003567
Seal kit coil	code material no. RG12A1PNBR7010 R934003958
Other technical data	See data sheet 18350-50
Electrical	
Type of voltage	DC voltage
Coil type	S8-356 see 18325-90
Supply voltage	See data sheet 18325-90
Nominal voltage	± 10%
Power consumption	20 W
Duty cycle coil	See characteristic curves %
Type of protection	See data sheet 18325-90
Note: Coils must be ordered separately	



Ordering code



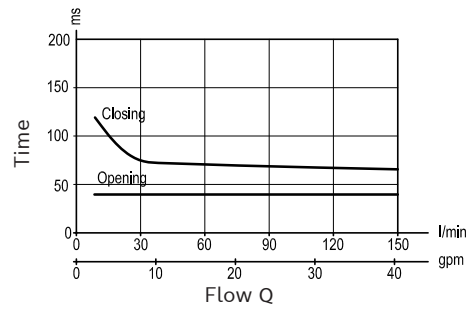
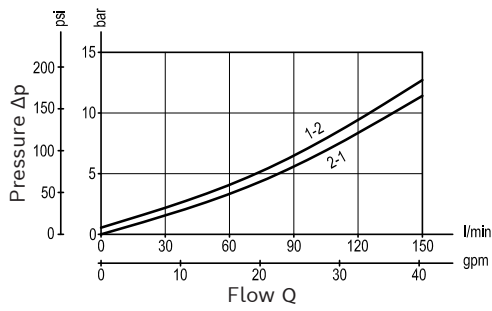
Type	Material number
OD1502211AS000	R987067733
OD1502211BS000	R901186074
OD1502211CS000	R934000758
OD1504211AS000	R901113671
OD1504211BS000	R901113672
OD1504211CS000	R934000820
OD1506211AS000	R901104409
OD1506211BS000	R901113681
OD1506211CS000	R901172041

Type	Material number
OD1510211AS000	R901085464
OD1510211BS000	R934001061
OD1512211AS000	R934001100
OD1512211BS000	R934001101
OD1512211CS000	R934001102
OD1532211AS000	R901104415
OD1532211BS000	R901113685
OD1532211CS000	R901191824

Characteristic curves

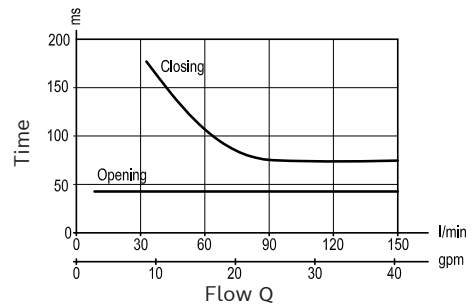
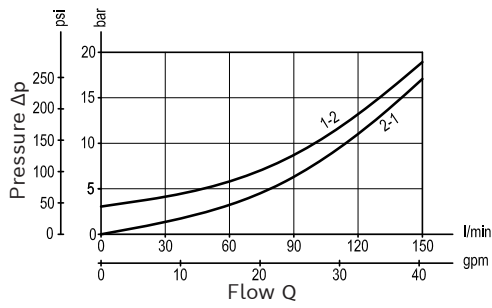
Version 1-2

Standard



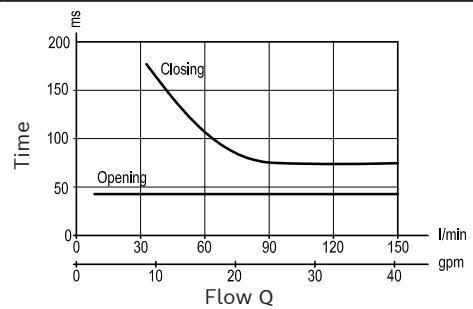
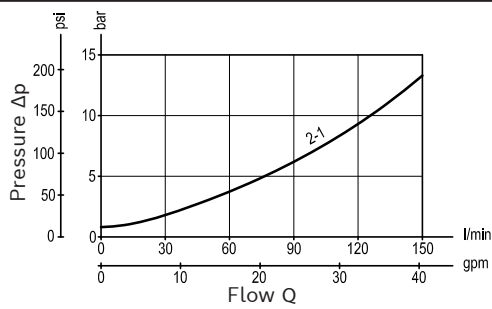
Version 3

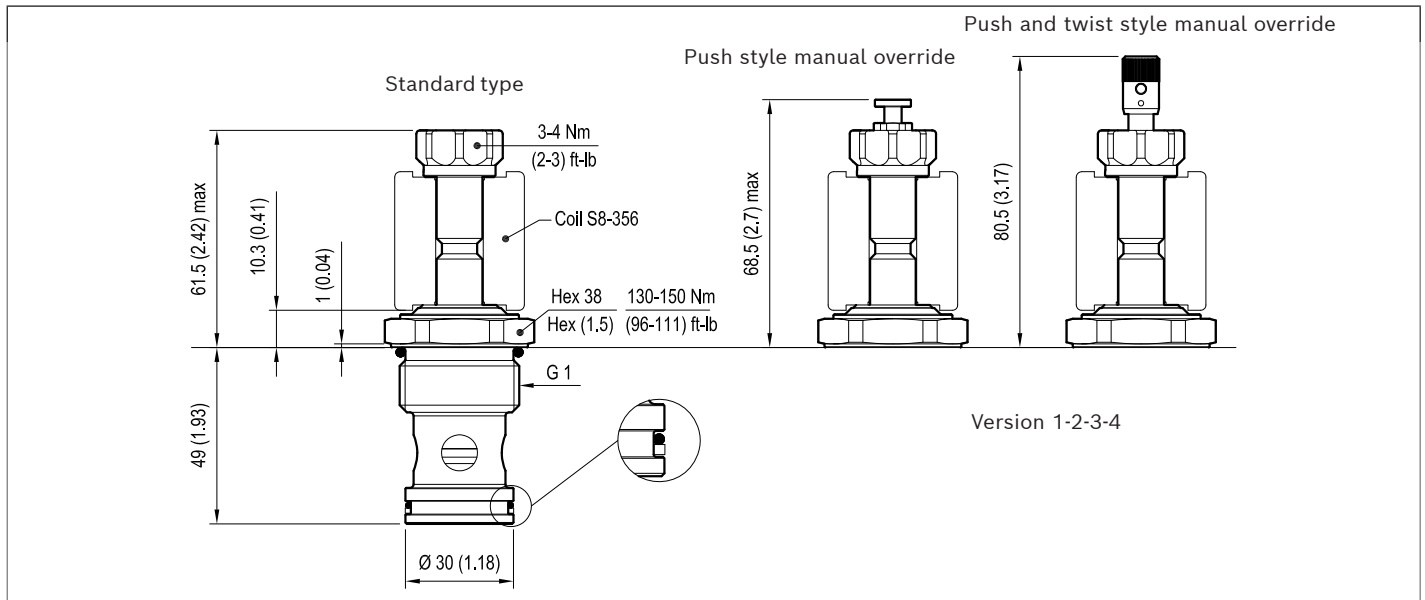
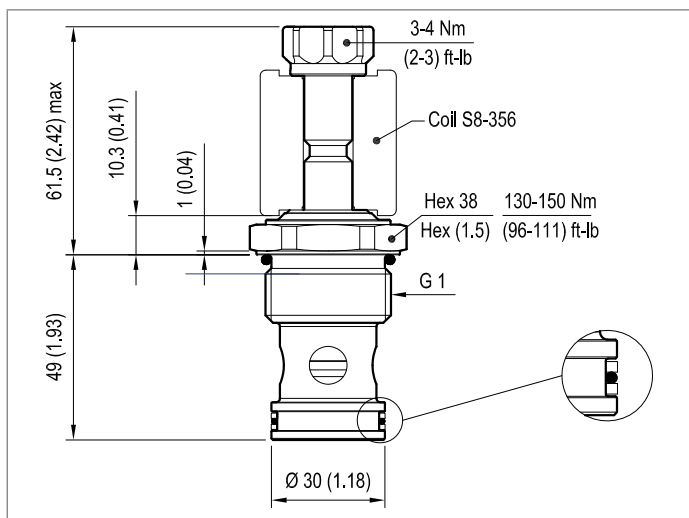
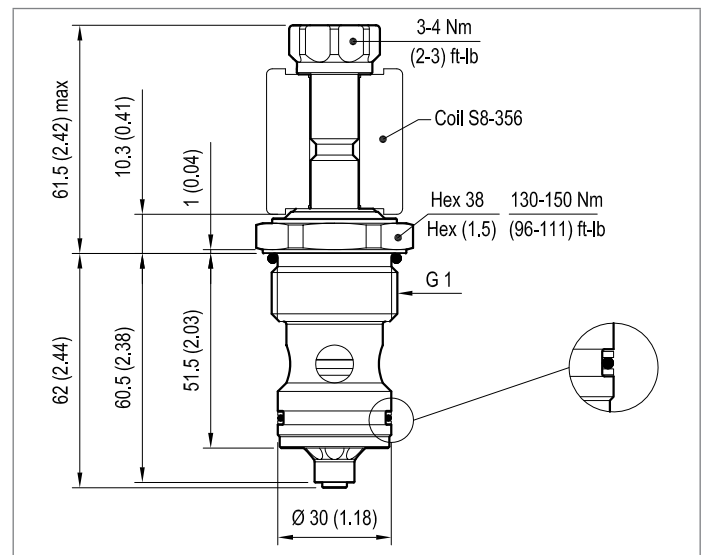
Standard



Version 4

Standard



Dimensions
▼ Version 1: Solenoid operated valves, poppet 2-way normally open

▼ Version 2: Solenoid operated valves, poppet 2-way normally open
▼ Version 3: Solenoid operated valves, poppet 2-way double lock normally open

▼ Version 4: Solenoid operated valves, poppet 2-way normally open
**Bosch Rexroth Oil Control S.p.A.**

Via Leonardo da Vinci 5
 P.O. Box no. 5
 41015 Nonantola – Modena, Italy
 Tel. +39 059 887 611
 Fax +39 059 547 848
 compact-hydraulics-cv@boschrexroth.com
 www.boschrexroth.com/compacthydraulics

© This document, as well as the data, specifications and other information set forth in it, are the exclusive property of Bosch Rexroth Oil Control S.p.a.. It may not be reproduced or given to third parties without its consent. The data specified above only serve to describe the product. No statements concerning a certain condition or suitability for a certain application can be derived from our information. The information given does not release the user from the obligation of own judgment and verification. It must be remembered that our products are subject to a natural process of wear and aging. Subject to change.