

VALVES IN PHASE OUT
Valves replaced by new VEI-16 (RE18323-34)

Solenoid operated valves pilot operated poppet type
 2-way normally closed
 Special cavity, 017-E

RE 18323-03
 Edition: 06.2019
 Replaces: 01.2017

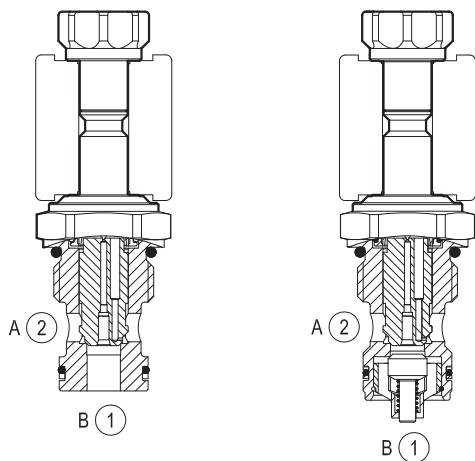
VEI-8A-09-NC

OD.15 - X - 17 - Y - Z

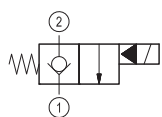


Technical data

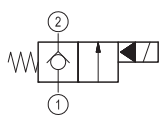
General	
Weight	0.24 kg (0.53 lbs)
Installation orientation	Optional
Storage ambient temperature range	-40 to 100 °C (-40 to 212 °F)
Operating ambient temperature range	-30 to 90 °C (-22 to 194 °F)
Hydraulic	
Max. operating pressure	350 bar (5000 psi)
Max. proof pressure	420 bar (6000 psi)
Flow range	2 - 70 l/min (0.5 - 18 gpm)
Fatigue cycle life	1 million cycles at 350 bar
Max. internal leakage	20 drops/min.
Fluid temperature range	-20 to 80 °C (-4 to 176 °F)
Fluids: Mineral-based or synthetics with lubricating properties at viscosities of 20 to 380 mm ² /s (cSt)	
Installation torque	54 - 66 Nm (40 - 49 ft-lbs)
Recommended degree of fluid contamination	Nominal value max. 10 µm (NAS 8) ISO 4406 19/17/14
MTTFd	150 years see RE 18350-51 except for codes marked with *
Special cavity	017-E see 18325-75
Lines bodies and standard assemblies	Please refer to section "Hydraulic integrated circuit" or consult factory
Seal kit – version 1	code material no. RG17E201052010 R934003562
Seal kit – version 2-3-4	code material no. RG17E201053010 R934003563
Seal kit coil	code material no. RG12A1PNBR7010 R934003958
Other technical data	See data sheet 18350-50
Electrical	
Type of voltage	DC voltage
Coil type	S8-356 see 18325-90
Supply voltage	See data sheet 18325-90
Nominal voltage	± 10%
Power consumption	20 W
Duty cycle coil	See characteristic curves %
Type of protection	See data sheet 18325-90
Note: Coils must be ordered separately	



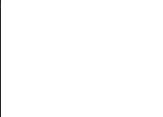
▼ **Version 1**



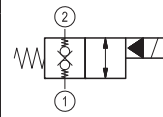
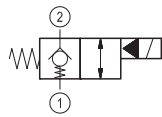
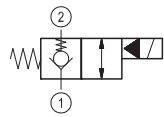
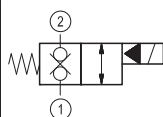
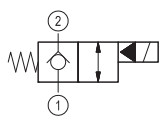
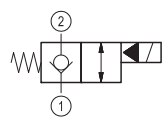
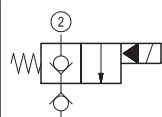
▼ **Version 2**



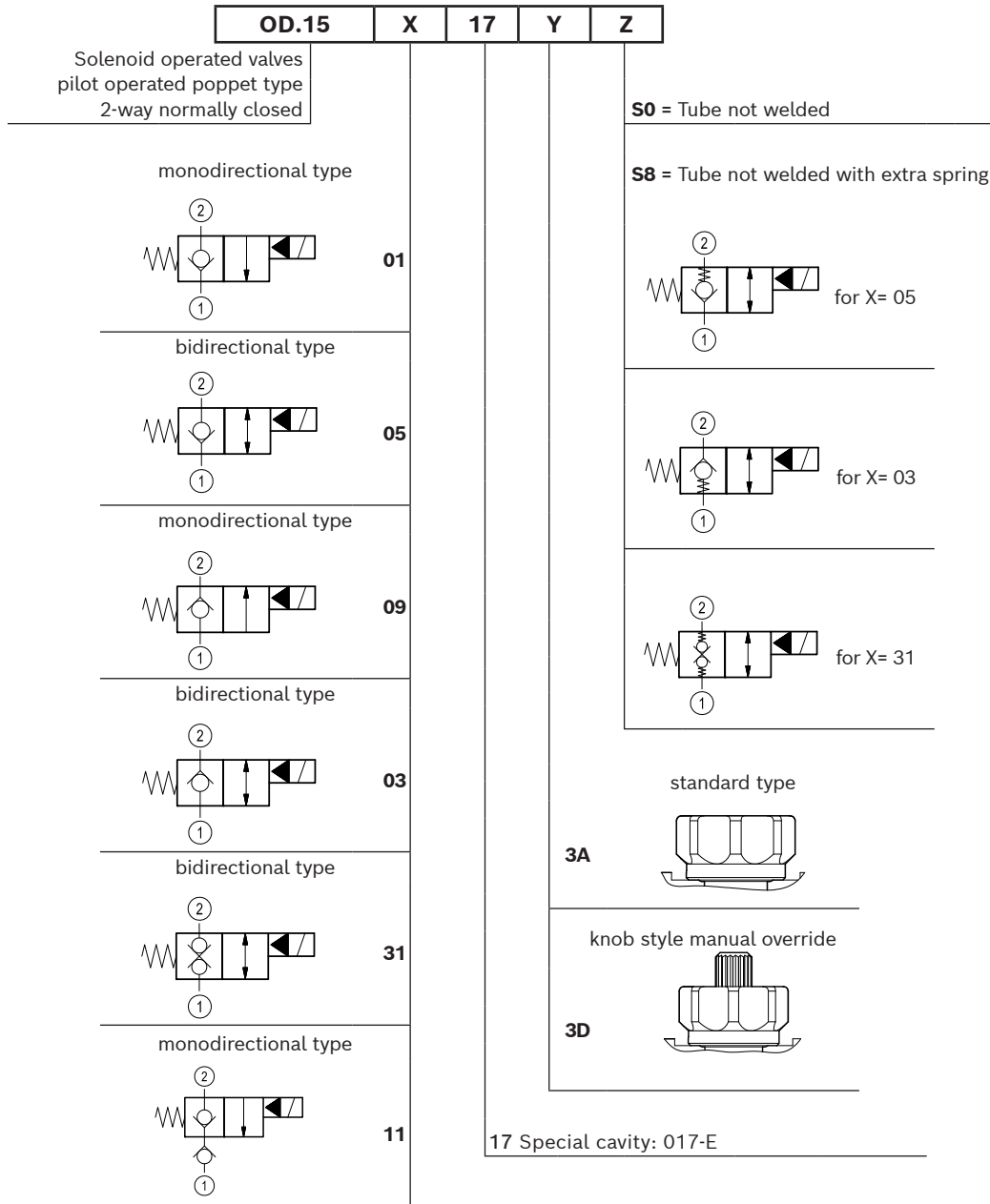
▼ **Version 3**



▼ **Version 4**



Ordering code

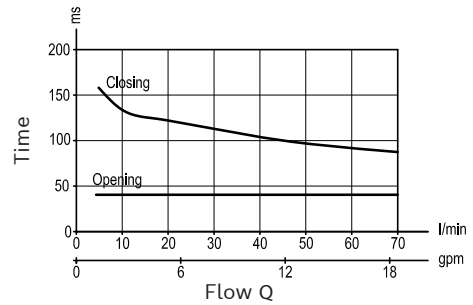
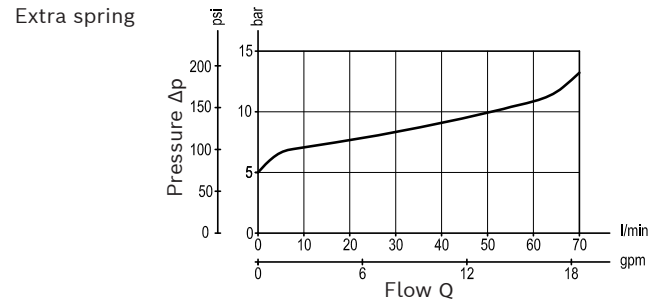
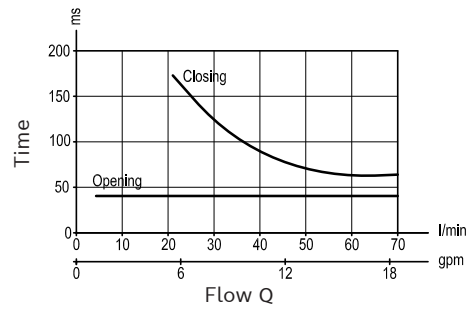
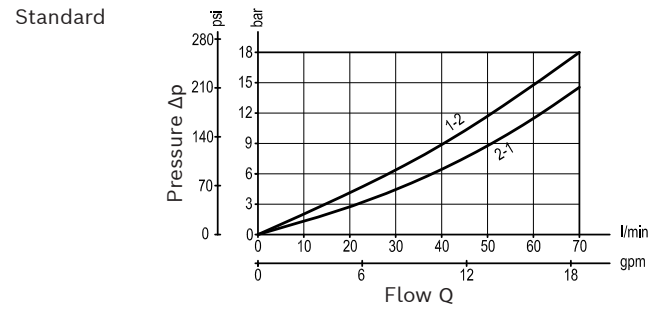


Type	Material number
OD1501173AS000	R901176045
OD1501173DS000	R934000679
OD1503173AS000	R901113664
OD1503173AS800	R934000773
OD1503173DS000	R901180257
OD1503173DS800	R934003061
OD1505173AS000	R901113673
OD1505173AS800	R901119220
OD1505173DS000	R901125249

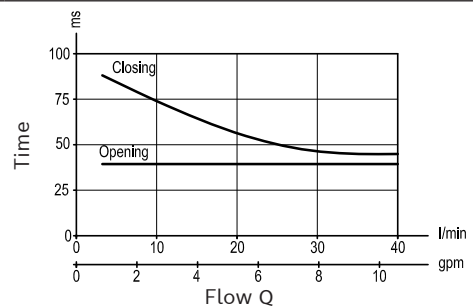
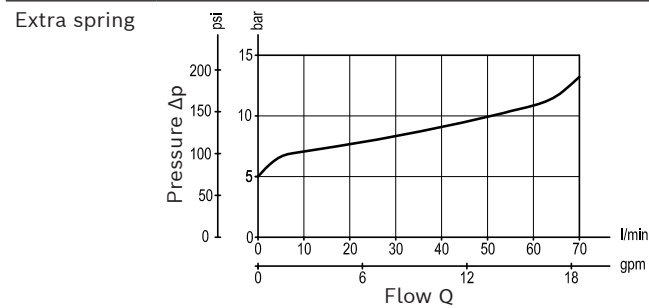
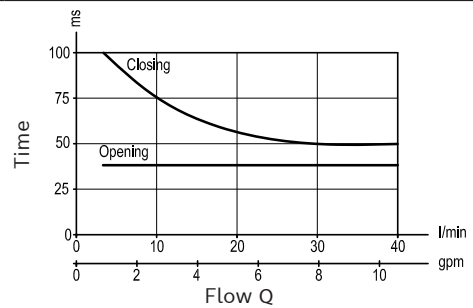
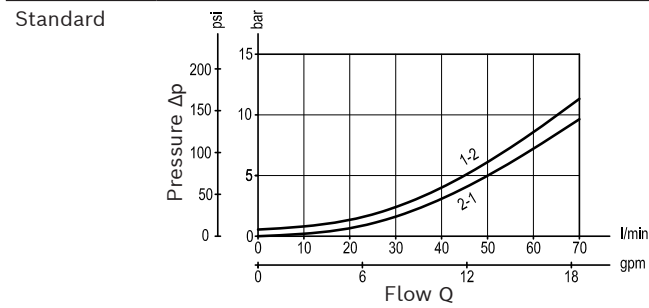
Type	Material number
OD1505173DS800	R934000846
OD1509173AS000	R934001038
OD1509173DS000	R934001039
OD1511173AS000	R934001072 *
OD1511173DS000	R934001075 *
OD1531173AS000	R901113682
OD1531173AS800	R934001116
OD1531173DS000	R934001120
OD1531173DS800	R934003111

Characteristic curves

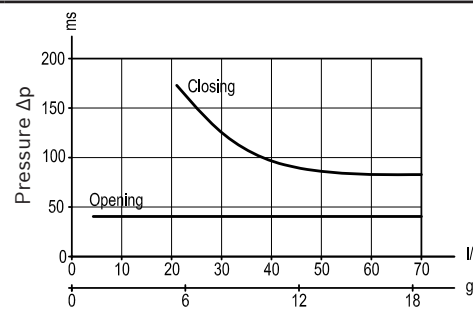
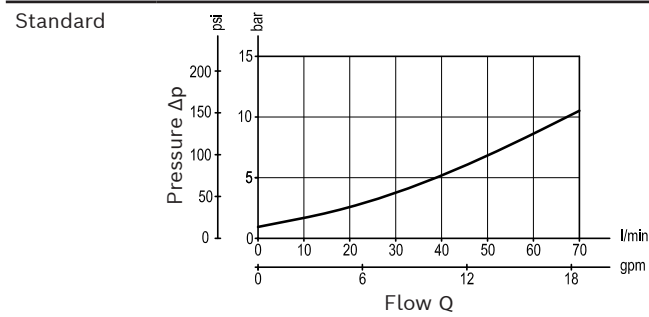
Version 1 – Version 2



Version 3

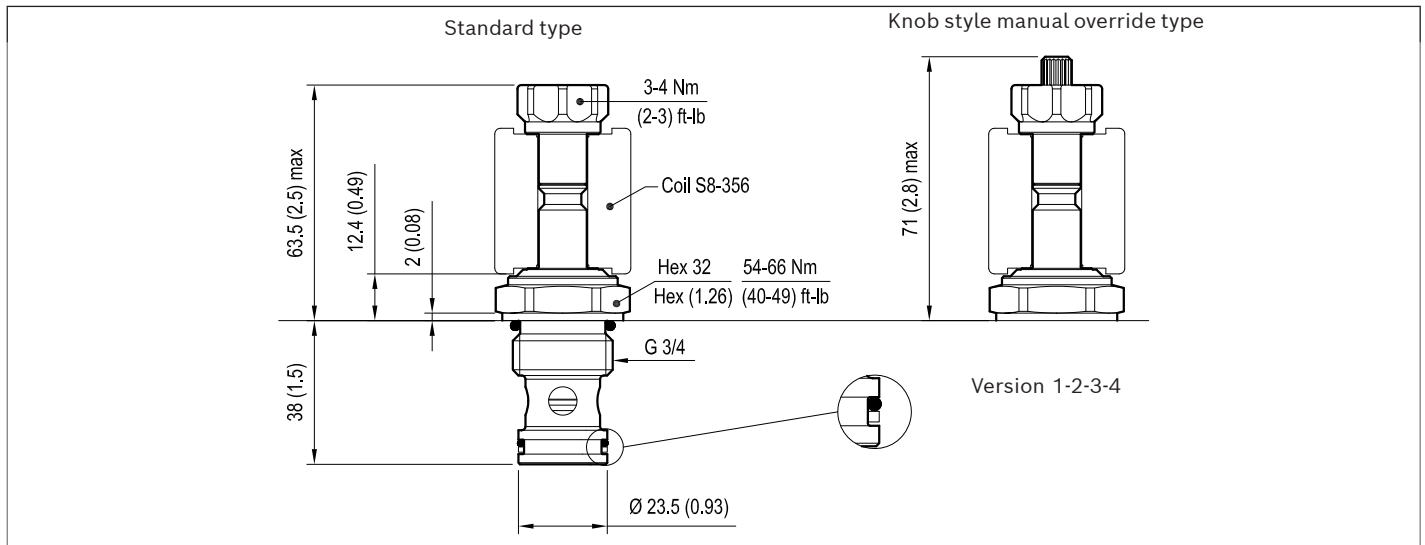


Version 4



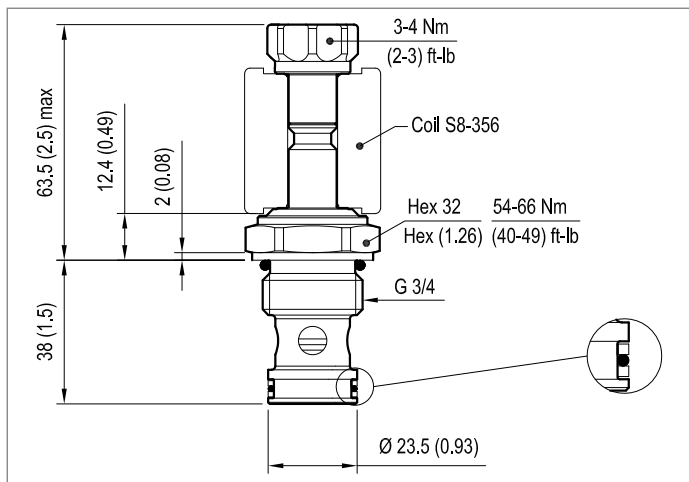
Dimensions

▼ Version 01: Solenoid operated valves, poppet 2-way normally closed

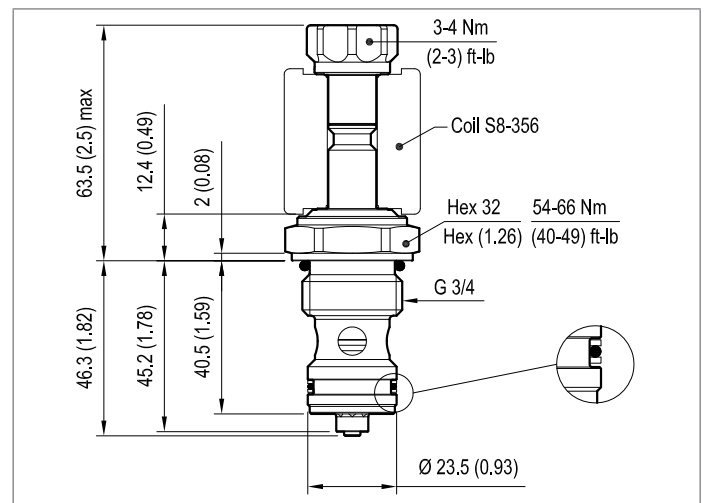


▼ Version 02: Solenoid operated valves, poppet 2-way normally closed

▼ Version 03: Solenoid operated valves, poppet 2-way double lock normally closed



▼ Version 4: Solenoid operated valves, poppet 2-way normally closed



Bosch Rexroth Oil Control S.p.A.

Via Leonardo da Vinci 5
 P.O. Box no. 5
 41015 Nonantola – Modena, Italy
 Tel. +39 059 887 611
 Fax +39 059 547 848
 compact-hydraulics-cv@boschrexroth.com
 www.boschrexroth.com/compacthydraulics

© This document, as well as the data, specifications and other information set forth in it, are the exclusive property of Bosch Rexroth Oil Control S.p.a.. It may not be reproduced or given to third parties without its consent. The data specified above only serve to describe the product. No statements concerning a certain condition or suitability for a certain application can be derived from our information. The information given does not release the user from the obligation of own judgment and verification. It must be remembered that our products are subject to a natural process of wear and aging. Subject to change.