

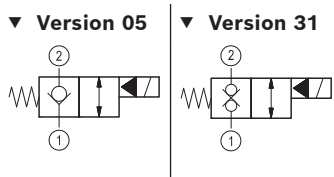
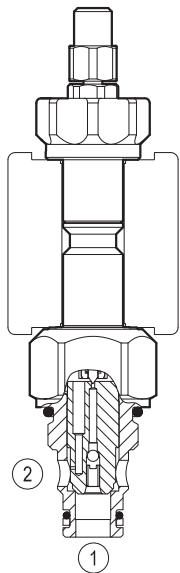
VALVES IN PHASE OUT
Valves replaced by new VEI-16 (RE18323-25)

Solenoid operated valves pilot operated poppet type
 2-way normally closed
 Common cavity, Size 08

VEI-8A-06-NC-ET

OD.15 - X - 18.3C - Z

RE 18323-09
 Edition: 06.2019
 Replaces: 01.2016



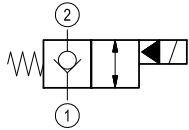
Technical data

General	
Weight	0.13 kg (0.29 lbs)
Installation orientation	Optional
Storage ambient temperature range	-40 to 100 °C (-40 to 212 °F)
Operating ambient temperature range	-30 to 90 °C (-22 to 194 °F)
Hydraulic	
Max. operating pressure	350 bar (5000 psi)
Rated flow	40 l/min. (11 gpm)
Max. internal leakage	20 drops/min.
Fluid temperature range	-20 to 80 °C (-4 to 176 °F)
Fluids: Mineral-based or synthetics with lubricating properties at viscosities of 20 to 380 mm ² /s (cSt)	
Installation torque	39 - 51 Nm (29 - 38 ft-lbs)
Recommended degree of fluid contamination	Nominal value max. 10 µm (NAS 8) ISO 4406 19/17/14
MTTFd	150 years see RE 18350-51
Cavity	CA-08A-2N see 18325-70
Lines bodies and standard assemblies	Please refer to section "Hydraulic integrated circuit" or consult factory
Seal kit – version 05	code material no. RG08A2010520100 R901101437
Seal kit – version 31	code material no. RG08A2010530100 R901101544
Seal kit coil	code material no. RG12A1PNBR7010 R934003958
Other technical data	See data sheet 18350-50
Electrical	
Type of voltage	DC voltage
Coil type	S8-356 see 18325-90
Supply voltage	See data sheet 18325-90
Nominal voltage	± 10%
Power consumption	20 W
Duty cycle coil	See characteristic curves %
Type of protection	See data sheet 18325-90
Note: Coils must be ordered separately	

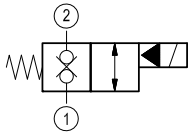
Ordering code

OD.15	X	18	3C	Z
--------------	----------	-----------	-----------	----------

Solenoid operated valves
pilot operated poppet type
2-way normally closed



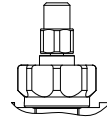
05



31

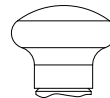
Cable operated pull style override

S0



Hand operated pull style override

S1



Common cavity: CA-08A-2N

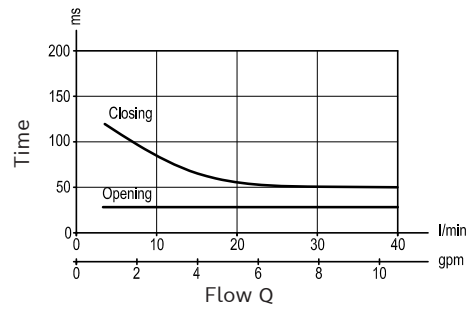
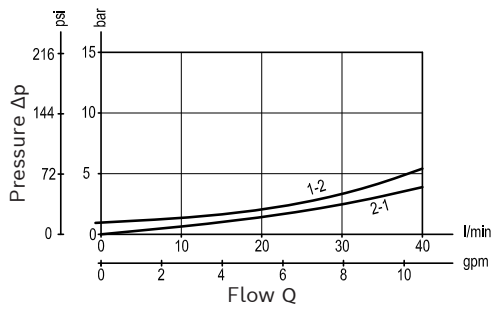
Type	Material number
OD1505183CS000	R901094735
OD1505183CS100	R901094737
OD1531183CS000	R901109982
OD1531183CS100	R901109983

Type	Material number

Characteristic curves

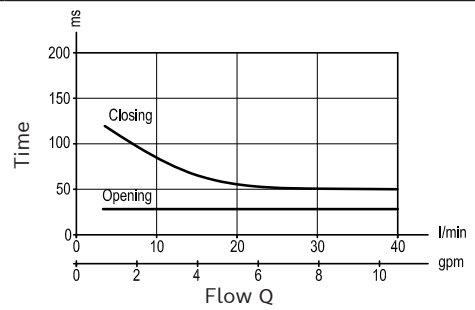
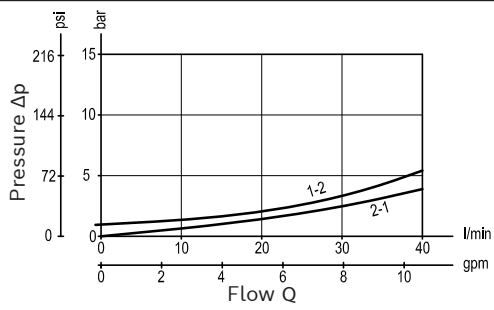
Version 05

Standard



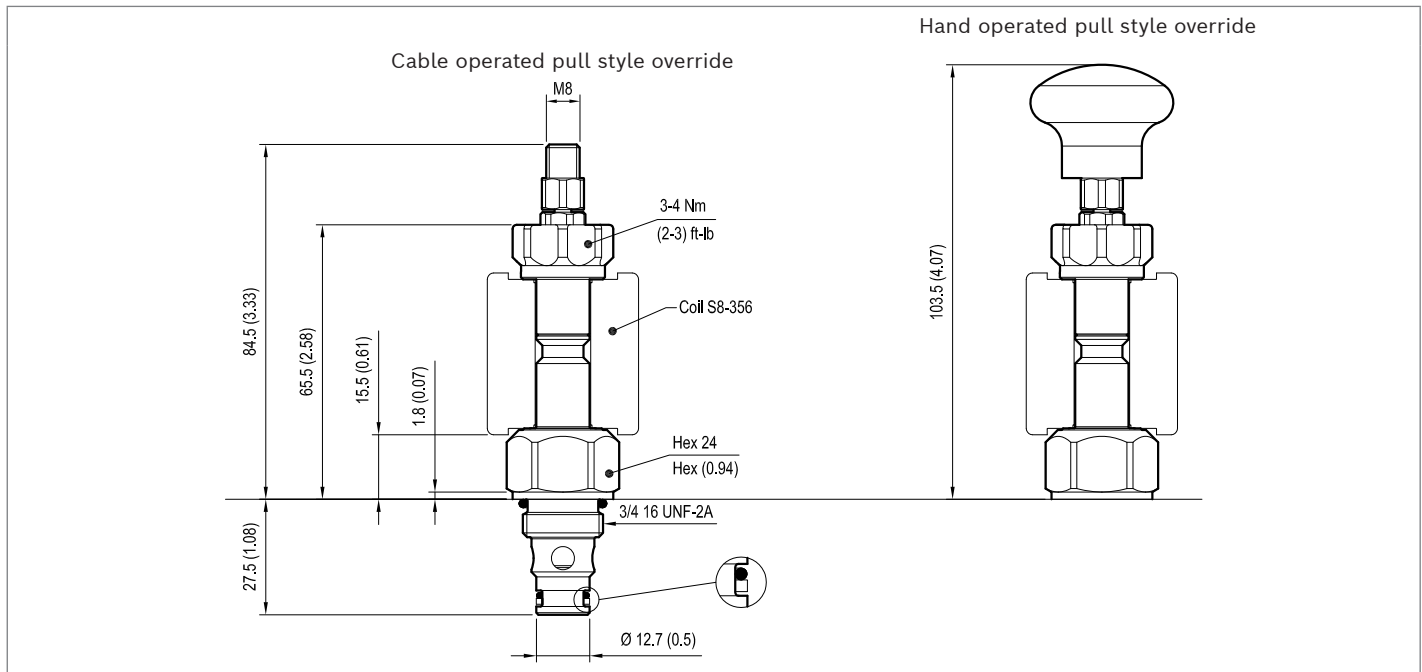
Version 31

Standard

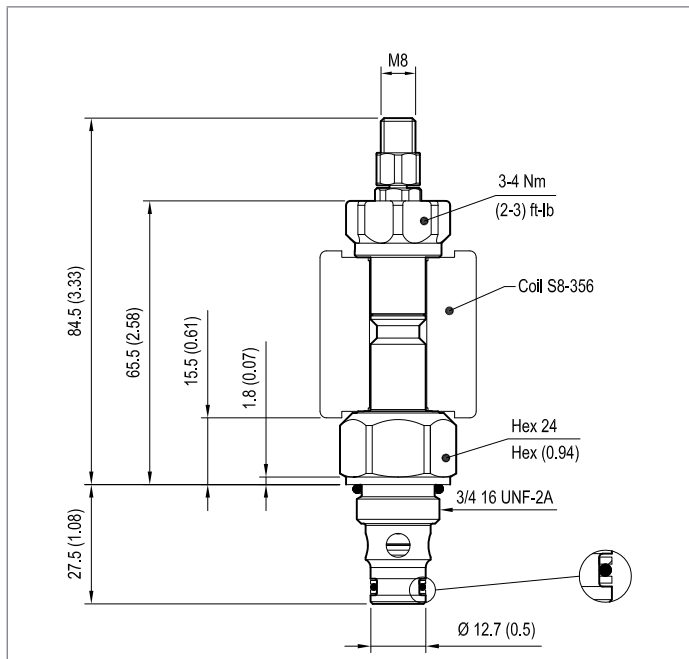


Dimensions

▼ Version 05: Solenoid operated valve, poppet 2-way normally closed



▼ Version 31: Solenoid operated valve, poppet 2-way double lock normally closed



Bosch Rexroth Oil Control S.p.A.

Via Leonardo da Vinci 5
 P.O. Box no. 5
 41015 Nonantola – Modena, Italy
 Tel. +39 059 887 611
 Fax +39 059 547 848
 compact-hydraulics-cv@boschrexroth.com
 www.boschrexroth.com/compacthydraulics

© This document, as well as the data, specifications and other information set forth in it, are the exclusive property of Bosch Rexroth Oil Control S.p.a.. It may not be reproduced or given to third parties without its consent. The data specified above only serve to describe the product. No statements concerning a certain condition or suitability for a certain application can be derived from our information. The information given does not release the user from the obligation of own judgment and verification. It must be remembered that our products are subject to a natural process of wear and aging. Subject to change.