

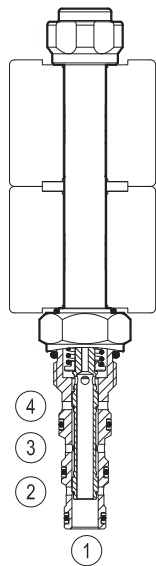
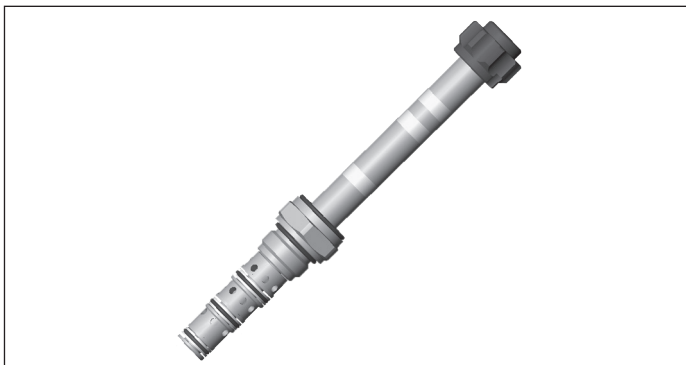
VALVES IN PHASE OUT
Valves replaced by new VEI-16 (RE18324-10)

Solenoid operated valves direct acting
 spool 4-way 3-position
 Common cavity, Size 08

RE 18324-63
 Edition: 11.2016
 Replaces: 03.2006

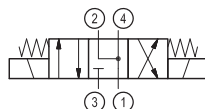
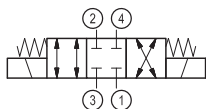
VED-8I-43

OD.14 - X - 58 - Y - Z



▼ Version 31

▼ Version 32



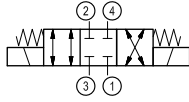
Technical data

| General | |
|--|--|
| Weight | 0.13 kg (0.29 lbs) |
| Installation orientation | Any |
| Ambient temperature range | -30 to 60 °C (-22 to 140 °F) - coil 20W |
| Hydraulic | |
| Max. operating pressure | 210 bar (3045 psi) |
| Max. flow | 10 l/min. (3 gpm) |
| Max. internal leakage | 40 cm ³ /min. (2.4 cu.in./min.) |
| Fluid temperature range | -20 to 80 °C (-4 to 176 °F) |
| Fluids: Mineral-based or synthetics with lubricating properties at viscosities of 20 to 380 mm ² /s (cSt) | |
| Installation torque | 39 - 51 Nm (29 - 38 ft-lbs) |
| Filtration | Nominal value max. 10 µm (NAS 8) ISO 4406 19/17/14 |
| Cavity | CA-08A-4N |
| Seal kit | code RG08A4010530100 material no. R930005582 |
| Seal kit coil | code RG1211PNBR7010 material no. R934003957 |
| Other technical data | See data sheet 18350-50 |
| Electrical | |
| Type of voltage | DC voltage |
| Coil type | S8-356 |
| Supply voltage | See data sheet 18325-90 |
| Power consumption | See data sheet 18325-90 |
| Duty cycle coil | See data sheet 18325-90 |
| Type of protection | See data sheet 18325-90 |
| Note: Coils must be ordered separately | |

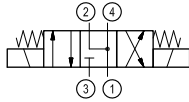
Ordering code

| | | | | | |
|--------------|----------|-----------|----------|-----------|-----------|
| OD.14 | X | 58 | Y | 00 | 00 |
|--------------|----------|-----------|----------|-----------|-----------|

Solenoid operated valves direct acting
spool 4-way 3-position



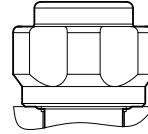
31



32

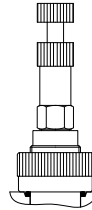
Common cavity: CA-08A-4N

Standard type



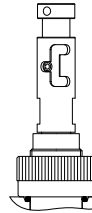
44

Push and pull manual override



4B

Push and pull manual override with detent



4C

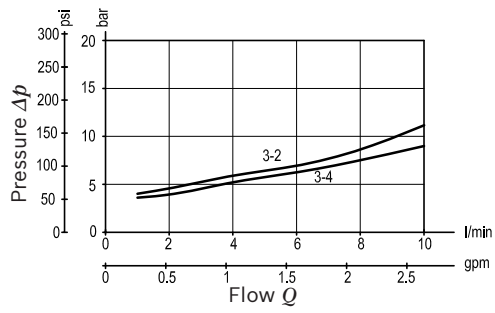
Preferred types

| Type | Material number |
|----------------|-----------------|
| OD143158440000 | R901098194 |
| OD1431584B0000 | R930044735 |
| OD1431584C0000 | R930044736 |
| OD143258440000 | R901113705 |
| OD1432584B0000 | R930044738 |
| | |
| | |
| | |

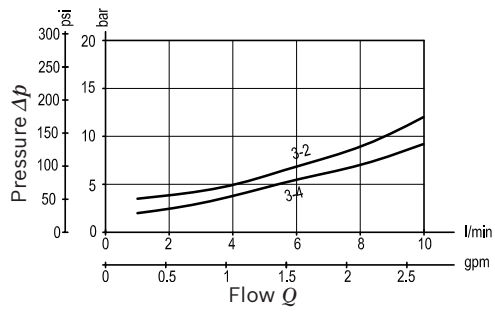
| Type | Material number |
|------|-----------------|
| | |
| | |
| | |
| | |
| | |
| | |

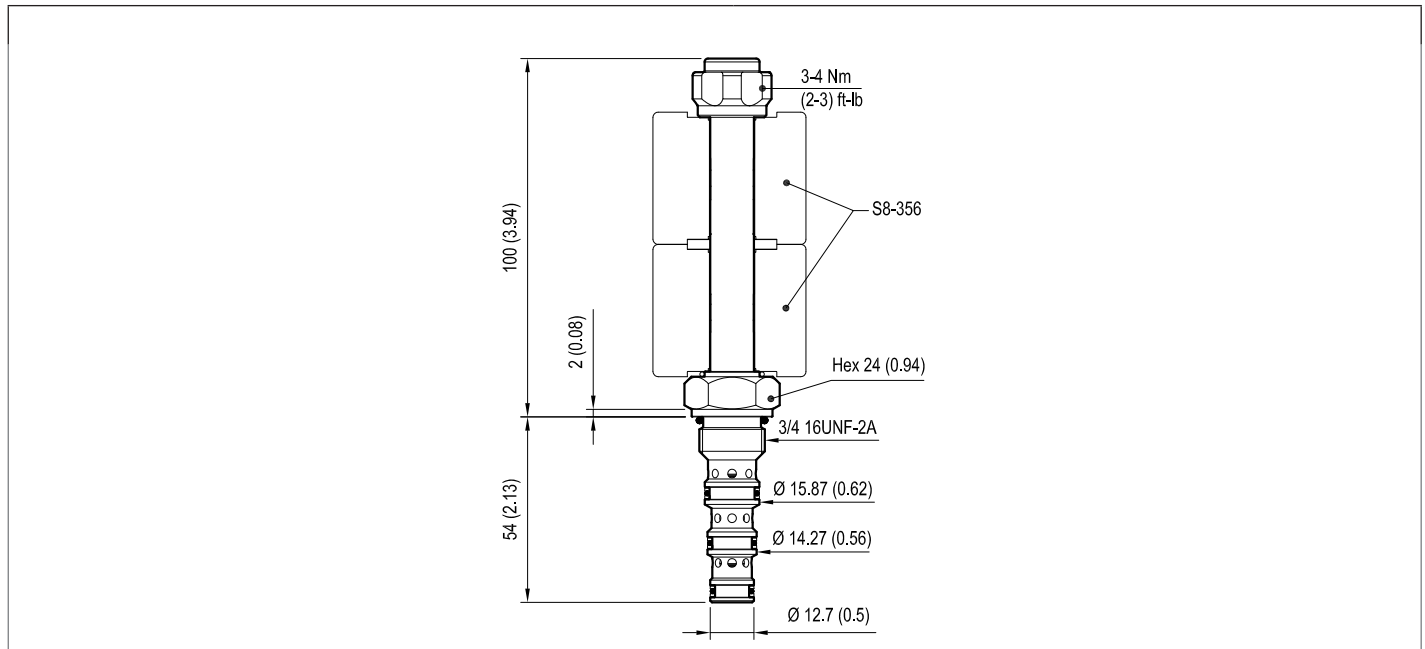
Characteristic curves

Version 31



Version 32



Dimensions▼ **Solenoid operated valves direct acting spool 4-way 3-position****Bosch Rexroth Oil Control S.p.A.**

Via Leonardo da Vinci 5
P.O. Box no. 5
41015 Nonantola – Modena, Italy
Tel. +39 059 887 611
Fax +39 059 547 848
compact-hydraulics-cv@boschrexroth.com
www.boschrexroth.com/compacthydraulics

© This document, as well as the data, specifications and other information set forth in it, are the exclusive property of Bosch Rexroth Oil Control S.p.a.. It may not be reproduced or given to third parties without its consent. The data specified above only serve to describe the product. No statements concerning a certain condition or suitability for a certain application can be derived from our information. The information given does not release the user from the obligation of own judgment and verification. It must be remembered that our products are subject to a natural process of wear and aging. Subject to change.