

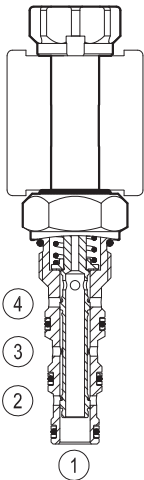
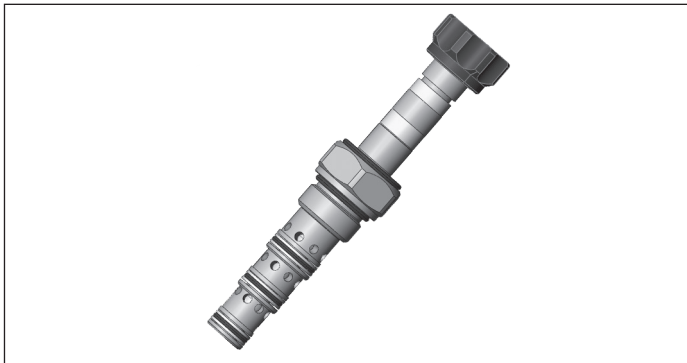
**VALVES IN PHASE OUT**  
**Valves replaced by new VEI-16 (RE18324-09)**

Solenoid operated valves direct acting  
 spool 4-way 2-position  
 Common cavity, Size 08

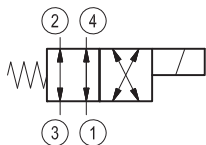
**RE 18324-62**  
 Edition: 03.2016  
 Replaces: 01.2006

VED-8I-42

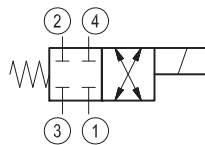
OD.14 - X - 58 - Y - Z



▼ **Version 40**



▼ **Version 41**



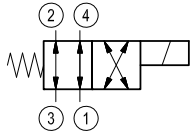
**Technical data**

General	
Weight	0.13 kg (0.29 lbs)
Installation orientation	Any
Ambient temperature range	-30 to 60 °C (-22 to 140 °F) - coil 20W
Hydraulic	
Max. operating pressure	210 bar (3045 psi)
Max. flow	10 l/min. (3 gpm)
Max. internal leakage	40 cm <sup>3</sup> /min. (2.4 cu.in./min.)
Fluid temperature range	-20 to 80 °C (-4 to 176 °F)
Fluids: Mineral-based or synthetics with lubricating properties at viscosities of 20 to 380 mm <sup>2</sup> /s (cSt)	
Installation torque	39 - 51 Nm (29 - 38 ft-lbs)
Filtration	Nominal value max. 10 µm (NAS 8) ISO 4406 19/17/14
Cavity	CA-08A-4N
Seal kit	code RG08A4010530100 material no. R930005582
Seal kit coil	code RG1211PNBR7010 material no. R934003957
Other technical data	See data sheet 18350-50
Electrical	
Type of voltage	DC voltage
Coil type	S8-356
Supply voltage	See data sheet 18325-90
Power consumption	See data sheet 18325-90
Duty cycle coil	See data sheet 18325-90
Type of protection	See data sheet 18325-90
Note: Coils must be ordered separately	

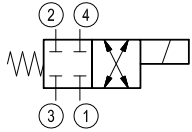
**Ordering code**

<b>OD.14</b>	<b>X</b>	<b>58</b>	<b>Y</b>	<b>00</b>	<b>00</b>
--------------	----------	-----------	----------	-----------	-----------

Solenoid operated valves direct acting  
spool 4-way 2-position



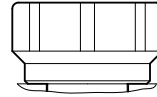
40



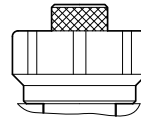
41

Common cavity: CA-08A-3N

30 = Standard type



40 = knob style manual override



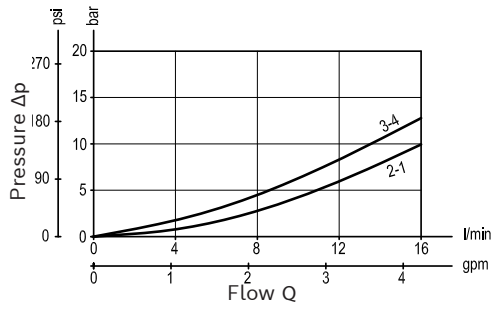
**Preferred types**

Type	Material number
OD144058300000	R901113693
OD144058400000	R901126899
OD144158300000	R901126903
OD144158400000	R901126905

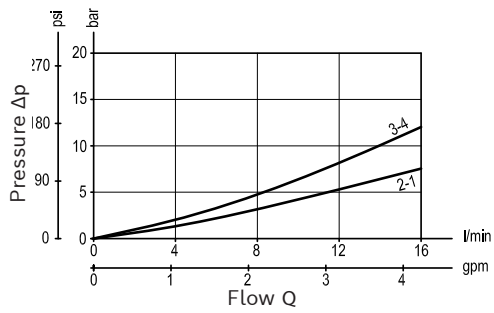
Type	Material number

**Characteristic curves**

**Version 40**

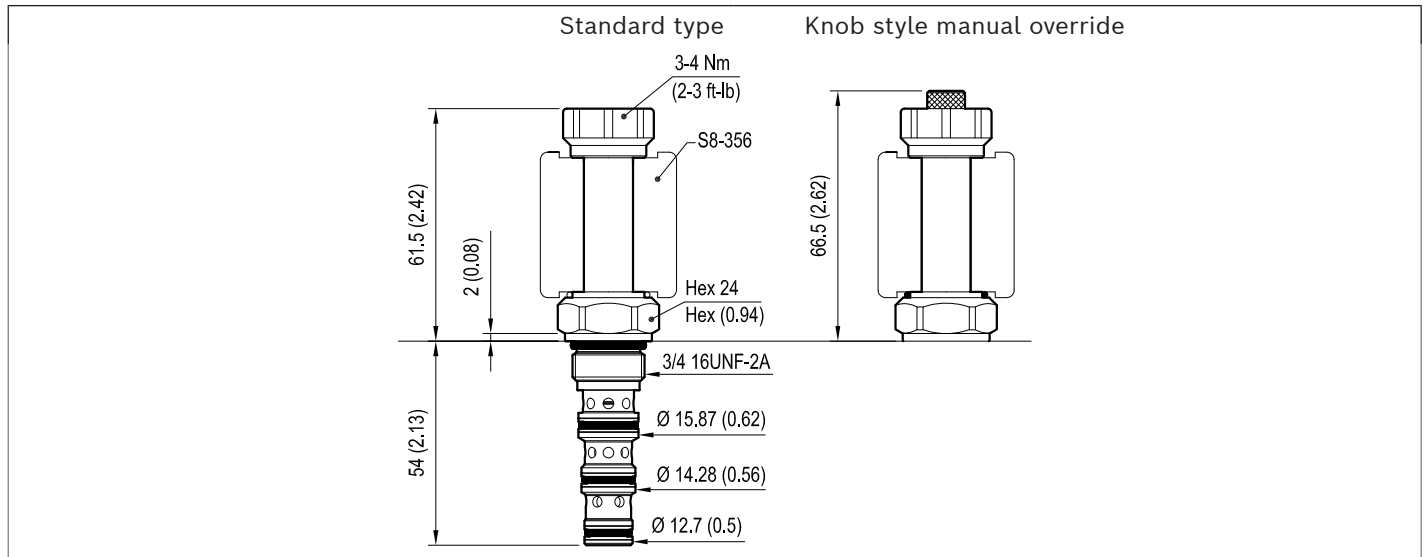


**Version 41**



**Dimensions**

## ▼ Solenoid operated valves direct acting spool 4-way 2-position

**Bosch Rexroth Oil Control S.p.A.**

Via Leonardo da Vinci 5  
P.O. Box no. 5  
41015 Nonantola – Modena, Italy  
Tel. +39 059 887 611  
Fax +39 059 547 848  
compact-hydraulics-cv@boschrexroth.com  
www.boschrexroth.com/compacthydraulics

© This document, as well as the data, specifications and other information set forth in it, are the exclusive property of Bosch Rexroth Oil Control S.p.a.. It may not be reproduced or given to third parties without its consent. The data specified above only serve to describe the product. No statements concerning a certain condition or suitability for a certain application can be derived from our information. The information given does not release the user from the obligation of own judgment and verification. It must be remembered that our products are subject to a natural process of wear and aging. Subject to change.