

Solenoid operated valves direct acting poppet type  
2-way normally closed  
Common cavity, Size 08

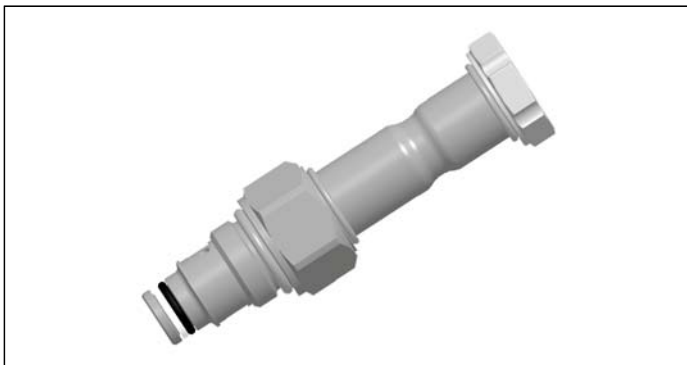
VED-16-08A-NC

OD.11 - X - 18 - Y - Z

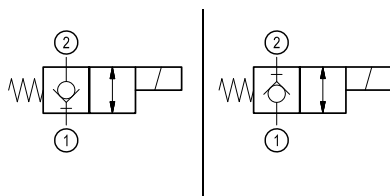
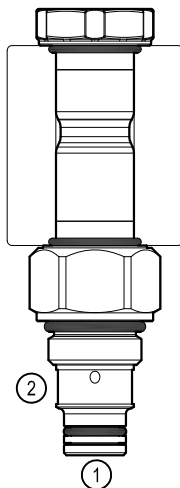
**RE 18324-16**

Edition: 03.2020

Replaces: 06.2019



**PATENT PENDING**



**Technical data**

<b>General</b>	
Weight	0.20 kg (0.44 lbs)
Installation orientation	Unrestricted
Storage ambient temperature range	-40 to 100 °C (-40 to 212 °F)
Operating ambient temperature range	-30 to 90 °C (-22 to 194 °F)
Salt spray test to DIN EN ISO 9227:2017-07	500h
<b>Hydraulic</b>	
Max. operating pressure	350 bar (5000 psi)
Rated flow	1.5 l/min (0.4 gpm)
Max. internal leakage:	20 drops/min.
Switching time	Closing ≤ 100 ms Opening ≤ 50 ms
Fluid temperature range	-20 to 80 °C (-4 to 176 °F)
Fluids: Mineral-based or synthetics with lubricating properties at viscosities of 20 to 380 mm <sup>2</sup> /s (cSt)	
Installation torque	39 - 51 Nm (29 - 38 ft-lbs)
Recommended degree of fluid contamination	Nominal value max. 10 µm (NAS 8) ISO 4406 19/17/14
MTTFD	150 years see RE 18350-51
Common cavity	CA-08A-2N see 18325-70
Seal kit for X=01,03	code RG08A2010520100 material no. R901101437
Seal kit coil and standard cap	code RG02Z0010000100 material no. R930067869
Seal kit coil and protective cap only for Y=D	code RG03Z0010000100 material no. R930067870
Other technical data	See data sheet 18350-50
<b>Electrical</b>	
Type of voltage	DC voltage
Coil type	D36
Supply voltage	See data sheet 18325-90
Voltage tolerance against ambient temperature	See characteristic curve
Power consumption	20 W
Type of protection	See data sheet 18325-90
Note: Coils must be ordered separately	

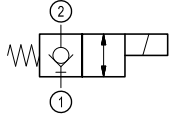
**Ordering code**

<b>OD.11</b>	<b>X</b>	<b>18</b>	<b>Y</b>	<b>Z</b>	<b>0000</b>	<b>*</b>
--------------	----------	-----------	----------	----------	-------------	----------

Solenoid operated valves  
direct acting poppet type  
2-way normally closed

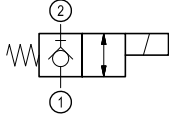
Series O/A to L  
unchanged performances and dimensions

bidirectional type



**01**

bidirectional type



**03**

0 = With buna seal  
8 = With buna seal  
V = With Viton seal  
P = With buna seal and protective cap for override version **D**  
T = With Viton seal and protective cap for override version **D**

A = Standard  
D = Knob style manual override  
E = Pull style manual override  
F = Hand operated pull style manual override

Common cavity: CA-08A-2N

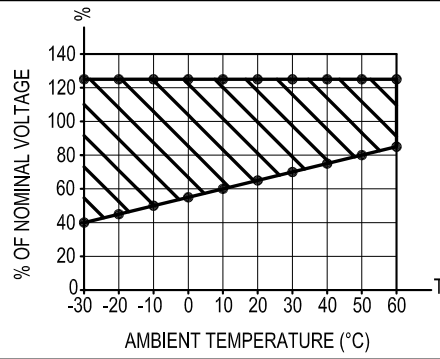
**Preferred types**

Type	Material number
OD110118A000000	R930066944
OD110118D000000	R930066949
OD110318A000000	R930066942
OD110318D000000	R930069504

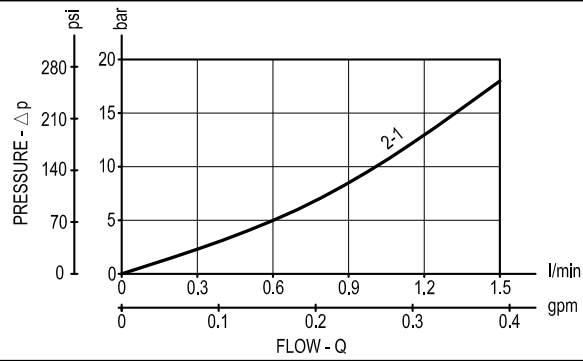
Type	Material number

Characteristic curves

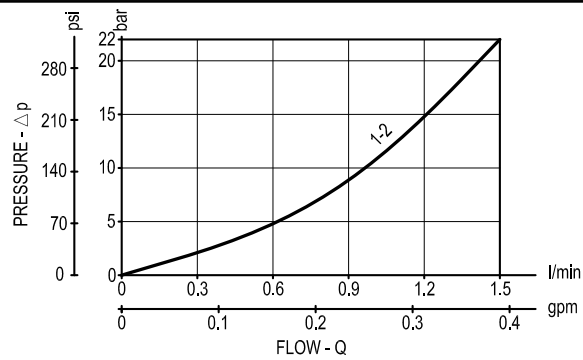
All Versions - Admissible supply voltage Vs. Ambient temperature at 100% duty cycle

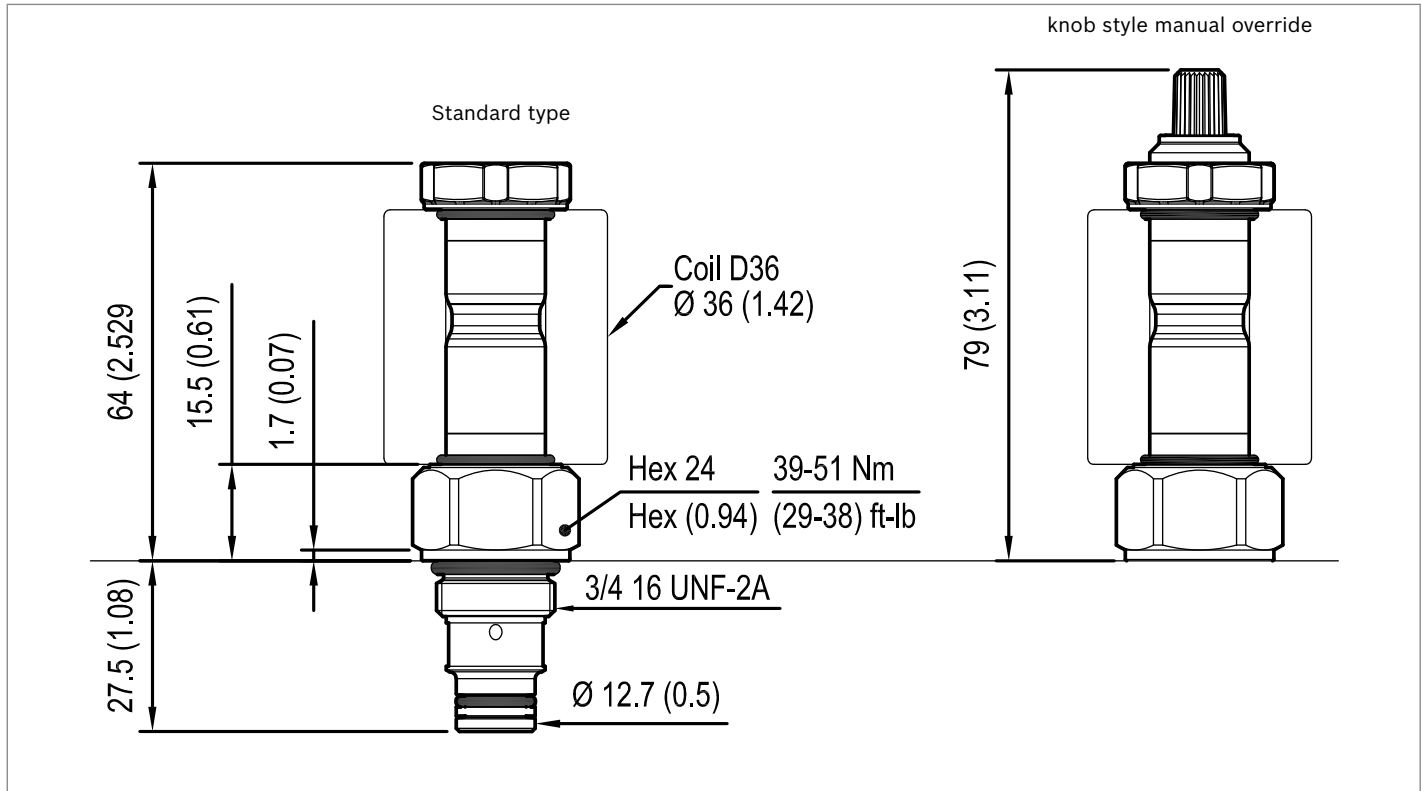


Versions 01



Versions 03



**Dimensions****Solenoid operated valves, poppet 2-way  
normally closed****Bosch Rexroth Oil Control S.p.A.**

Via Leonardo da Vinci 5  
P.O. Box no. 5  
41015 Nonantola – Modena, Italy  
Tel. +39 059 887 611  
Fax +39 059 547 848  
compact-hydraulics-cv@boschrexroth.com  
www.boschrexroth.com/compacthydraulics

© This document, as well as the data, specifications and other information set forth in it, are the exclusive property of Bosch Rexroth Oil Control S.p.a.. It may not be reproduced or given to third parties without its consent. The data specified above only serve to describe the product. No statements concerning a certain condition or suitability for a certain application can be derived from our information. The information given does not release the user from the obligation of own judgment and verification. It must be remembered that our products are subject to a natural process of wear and aging. Subject to change.