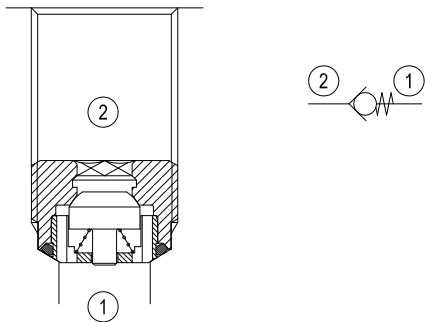


## Insert type Check, poppet type



VUB1

0T.U3.01.00 - Y - Z

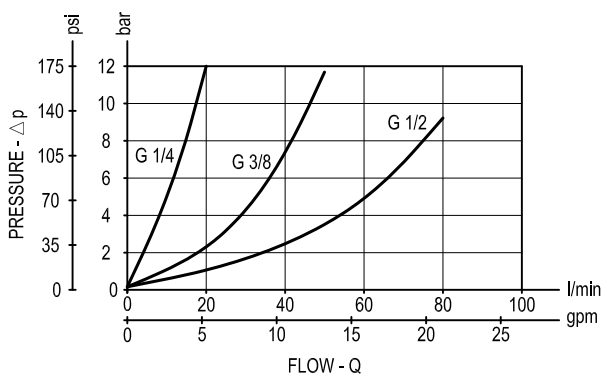


### Description

When pressure at 2 rises above the spring bias pressure, the poppet is lifted and flow allowed from 2 to 1. The valve is closed (checked) from 1 to 2. Precision machining and hardening processes allow virtually leak-free performance in the checked condition.

**Note:** UNF and Metric versions available on request. Consult factory.

### Performance

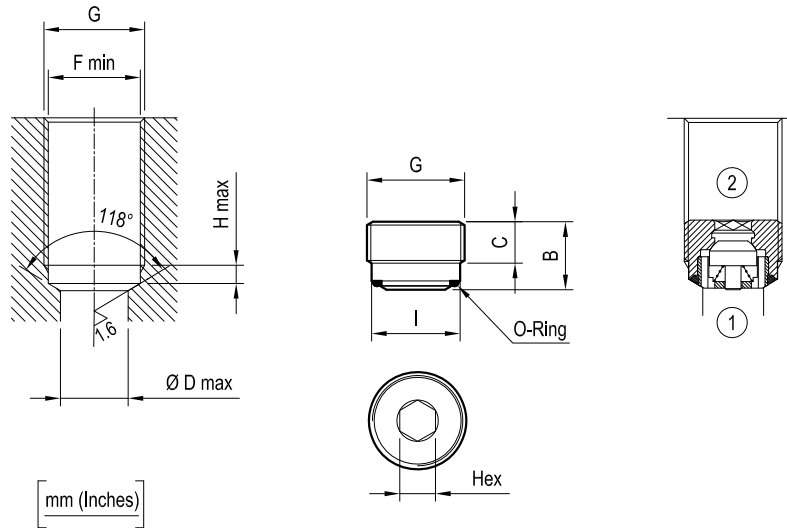


### Technical data

Max. operating pressure	bar (psi)	350 (5000)
Max. flow	l/min. (gpm)	see "performance" graph
Max. internal leakage	drops/min.	5
Fluid temperature range	°C (°F)	-30 to 100 (-22 to 212)
Installation torque	Nm (ft-lbs)	see "Dimensions" table
Weight	kg (lbs)	see "Dimensions" table
Special cavity		see "Dimensions"
Lines bodies and standard assemblies		Please refer to section "Hydraulic integrated circuit" or consult factory
Seal kit (*)	code material no.	see "Dimensions" table
Fluids		Mineral-based or synthetics with lubricating properties at viscosities of 5 to 800 mm <sup>2</sup> /s (cSt)
Recommended degree of fluid contamination		Nominal value max. 10µm (NAS 8) ISO 4406 20/18/15
MTTFd		150 years see RE18350-51
Other Technical Data		See data sheet RE 18350-50

(\*) Only external seals for 10 valves

### Dimensions



G	B	C	Hex.	D	I	F	O-Ring dimensions	O-Ring codes	H	Weight kg (lbs)	Inst. torque Nm (ft-lbs)	Flow max. l/min. (gpm)
G 1/4	10 (0.39)	5.5 (0.22)	6 (0.24)	7 (0.28)	11.5 (0.45)	11.6 (0.46)	Ø 9 x 1 (0.35x0.04)	RG09UB010000100 R931002410	3 (0.12)	0.005 (0.011)	15 (11)	20 (5)
G 3/8	11.2 (0.44)	6.7 (0.26)	6 (0.24)	9 (0.35)	14.95 (0.59)	15.1 (0.6)	Ø 11x1.5 (0.43x0.06)	RG02UB010000100 R931002408	3 (0.12)	0.015 (0.033)	20 (15)	50 (13)
G 1/2	13.2 (0.52)	8 (0.32)	8 (0.32)	12 (0.47)	18.7 (0.74)	18.8 (0.74)	Ø 14x1.5 (0.55x0.06)	RG03UB020000100 R931002409	3 (0.12)	0.020 (0.044)	30 (22)	80 (21)

\* Thread in accordance with ISO 228-1

### Ordering code

0T.U3.01.00	Y	Z	*
-------------	---	---	---

Insert type - Check, poppet type

Series 0/A to L  
unchanged performances and dimensions

Port sizes

- = 09 G 1/4
- = 02 G 3/8
- = 03 G 1/2

SPRINGS

Cracking pressure bar (psi)

= 00 < 0.5 (7)

Type	Material number
0TU301000200000	R901106625
0TU301000300000	R901106626
0TU301000900000	R901071238

Type	Material number

Bosch Rexroth Oil Control S.p.A.  
Via Leonardo da Vinci 5  
P.O. Box no. 5  
41015 Nonantola – Modena, Italy  
Tel. +39 059 887 611  
Fax +39 059 547 848

compact-hydraulics-cv@boschrexroth.com  
www.boschrexroth.com/compacthydraulics

© This document, as well as the data, specifications and other information set forth in it, are the exclusive property of Bosch Rexroth Oil Control S.p.a.. It may not be reproduced or given to third parties without its consent.

The data specified above only serve to describe the product. No statements concerning a certain condition or suitability for a certain application can be derived from our information. The information given does not release the user from the obligation of own judgment and verification. It must be remembered that our products are subject to a natural process of wear and aging.  
Subject to change.