

Insert type Relief, direct acting adjustable, anti-cavitation function

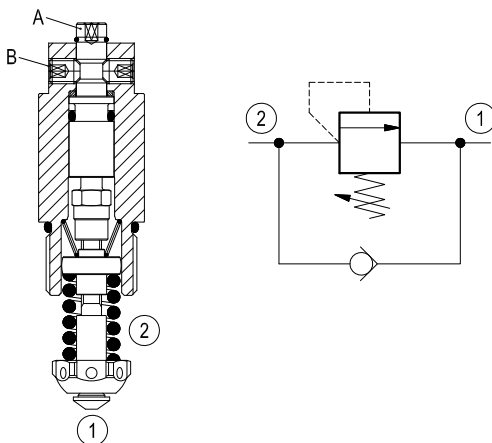
Special cavity, 808

VRA1.060

OT.M6.03 - X - 99 - Z



Dimensions



Description

Flow is free from 1 to 2 until pressure increases to meet the selected valve setting, allowing relief flow through port 1 to tank. This valve combine the typical function of shock relief valve (direct acting) and anticavitation function through the check valve. The direct action and the specific design allow a very fast opening and closing.

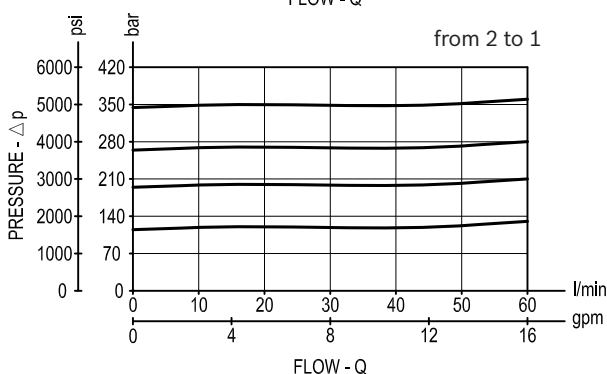
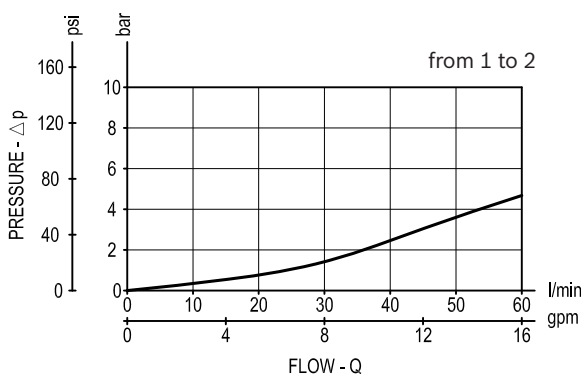
Note: to obtain a good leak proof performance coin the cavity seat using a loose valve seat (P/N OF.S0.036) as a coining tool.

Please consult factory for any question.

Please be careful to the following instructions:

- 1) Screw the valve into the cavity using the mentioned installation torque;
- 2) Adjust the setting using the stem "A";
- 3) Once the valve is adjusted to the required pressure setting, lock the screw "B". Be careful to make the pressure setting adjustment when the screw "B" is loose; block the screw with torque 2-4 Nm (1.5-3 ft-lbs) only when the pressure setting is adjusted.

Performance



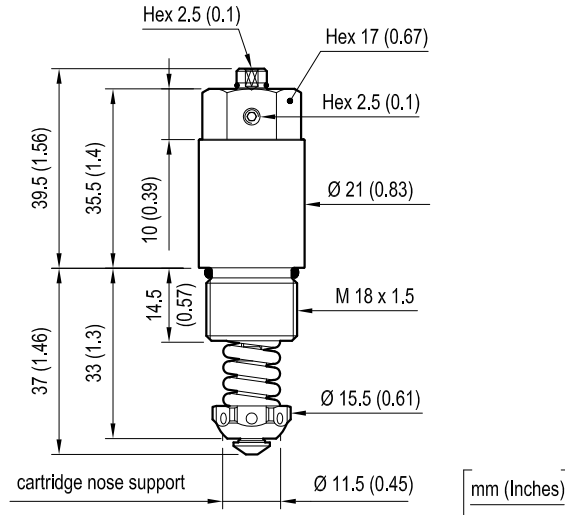
Technical data

| | | |
|---|-------------------|--|
| Max. operating pressure | bar (psi) | 380 (5500) |
| Max. flow | l/min. (gpm) | 60 (16) |
| Max. internal leakage (*) | drops/min. | 15 |
| Fluid temperature range | °C (°F) | -30 to 100 (-22 to 212) |
| Installation torque | Nm (ft-lbs) | 45-50 (33-37) |
| Weight | kg (lbs) | 0.08 (0.18) |
| Special cavity | | 808 see data sheet RE 18325-75 |
| Lines bodies and standard assemblies | | Please refer to section "Hydraulic integrated circuit" or consult factory |
| Seal kit (**) | code material no. | RG0730020000100 R931002406 |
| Fluids | | Mineral-based or synthetics with lubricating properties at viscosities of 10 to 500 mm ² /s (cSt) |
| Recommended degree of fluid contamination | | Nominal value max. 10µm (NAS 8) ISO 4406 20/18/15 |
| Installation | | No restrictions |
| Other Technical Data | | See data sheet RE 18350-50 |

(*) at 80% of pressure setting

(**) Only external seals for 10 valves

Dimensions



Ordering code

| | | | | |
|----------|---|----|---|---|
| OT.M6.03 | X | 99 | Z | * |
|----------|---|----|---|---|

Insert type - Relief, direct acting adjustable, anti-cavitation function

Series O/A to L unchanged performances and dimensions

Adjustments

= 03 Adjustable

Special cavity, 808

| SPRINGS | |
|-------------------------------|---------------------|
| Adj. pressure range bar (psi) | |
| = 05 | 20-70 (290-1000) |
| = 10 | 70-120 (1000-1750) |
| = 20 | 120-200 (1750-2900) |
| = 27 | 200-270 (2900-3900) |
| = 32 | 270-320 (3900-4700) |
| = 35 | 320-380 (4700-5500) |

| Type | Material number |
|-----------------|-----------------|
| OTM603039905000 | R931002283 |
| OTM603039910000 | R931002284 |
| OTM603039920000 | R931002285 |
| OTM603039927000 | R931002286 |
| OTM603039932000 | R931002287 |
| OTM603039935000 | R931002288 |

| Type | Material number |
|------|-----------------|
| | |
| | |
| | |
| | |
| | |
| | |
| | |
| | |