

Insert type, Relief, direct acting poppet type

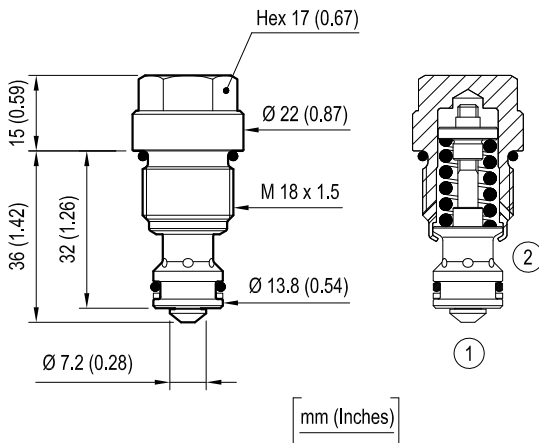
Special cavity, 730-A



VSA1.050

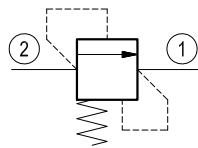
0T.M2.01 - X - 99 - Z - W

Dimensions

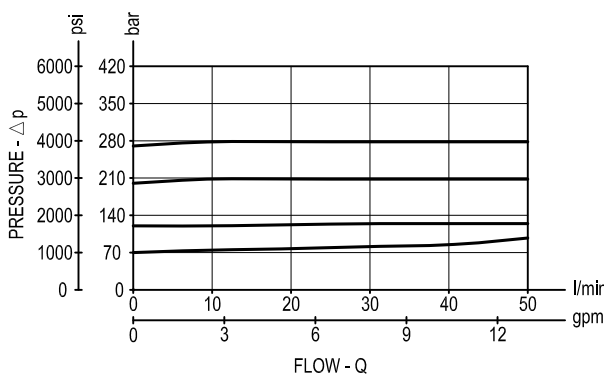


Description

Flow is blocked from 2 to 1 until pressure increases to meet the selected valve setting, lowering the poppet from its seat and allowing relief flow through port 1 to tank.



Performance



Technical data

| | | |
|---|-------------------|--|
| Max. operating pressure | bar (psi) | 380 (5500) |
| Max. flow | l/min. (gpm) | 50 (13) |
| Max. internal leakage (*) | drops/min. | 15 |
| Fluid temperature range | °C (°F) | -30 to 100 (-22 to 212) |
| Installation torque | Nm (ft-lbs) | 45-50 (33-37) |
| Weight | kg (lbs) | 0.07 (0.15) |
| Special cavity | | 730-A see data sheet RE 18325-75 |
| MTTFd | | 150 years see data sheet 18350-51 |
| Lines bodies and standard assemblies | | Please refer to section "Hydraulic integrated circuit" or consult factory |
| Seal kit (**) | code material no. | RG730A020520100 R931002404 |
| Fluids | | Mineral-based or synthetics with lubricating properties at viscosities of 10 to 500 mm ² /s (cSt) |
| Recommended degree of fluid contamination | | Nominal value max. 10µm (NAS 8) ISO 4406 20/18/15 |
| Installation | | No restrictions |
| Other Technical Data | | See data sheet RE 18350-50 |

(*) at 80% of pressure setting

(**) Only external seals for 10 valves

Ordering code

| | | | | | |
|----------|---|----|---|---|---|
| OT.M2.01 | X | 99 | Z | W | * |
|----------|---|----|---|---|---|

Relief, direct acting poppet type

Adjustments

= 00 Fixed setting

Special cavity, 730-A

Series O/A to L
unchanged performances and dimensions

| SPRINGS | |
|-------------------------------|------|
| Adj. pressure range bar (psi) | |
| 20-70 (290-1000) | = 05 |
| 70-120 (1000-1750) | = 10 |
| 120-200 (1750-2900) | = 20 |
| 200-270 (2900-3900) | = 27 |
| 270-320 (3900-4700) | = 32 |
| 320-380 (4700-5500) | = 35 |

Std. SETTING bar (psi) Q=5 l/min (1.3 gpm)

| | for Z=05 | for Z=10 | for Z=20 | for Z=27 | for Z=32 | for Z=35 |
|------|--------------|---------------|---------------|---------------|---------------|---------------|
| = 02 | 20 (290) | 80 (1160) | 130 (1890) | 210 (3050) | 280 (4060) | 330 (4790) |
| = 03 | 30 (440) | 90 (1300) | 140 (2030) | 220 (3190) | 290 (4210) | 340 (4930) |
| = 04 | 40 (580) | 100 (1450) | 150 (2180) | 230 (3340) | 300 (4350) | 350 (5080) |
| = 05 | 50 (730) | 110 (1600) | 160 (2320) | 240 (3480) | 310 (4500) | 360 (5220) |
| = 06 | 60 (870) | 120 (1740) | 170 (2470) | 250 (3630) | 320 (4640) | 370 (5370) |
| = 07 | 70 (1020) | | 180 (2610) | 260 (3770) | | 380 (5510) |
| = 08 | | | 190 (2760) | 270 (3920) | | |
| = 09 | | | 200 (2900) | | | |

| Type | Material number |
|-----------------|-----------------|
| OTM201009905020 | R931002361 |
| OTM201009905030 | R931002362 |
| OTM201009905040 | R931002363 |
| OTM201009905050 | R931002364 |
| OTM201009905060 | R931002365 |
| OTM201009905070 | R931002366 |
| OTM201009910020 | R931002367 |
| OTM201009910030 | R931002369 |
| OTM201009910040 | R931002370 |
| OTM201009910050 | R931002371 |
| OTM201009910060 | R931002372 |
| OTM201009920020 | R931002373 |
| OTM201009920030 | R931002374 |
| OTM201009920040 | R931000034 |
| OTM201009920050 | R931002375 |
| OTM201009920060 | R931002376 |
| OTM201009920070 | R931002377 |
| OTM201009920080 | R931002378 |
| OTM201009920090 | R901170599 |
| OTM201009927020 | R931002380 |

| Type | Material number |
|-----------------|-----------------|
| OTM201009927030 | R931002381 |
| OTM201009927040 | R931002382 |
| OTM201009927050 | R931002383 |
| OTM201009927060 | R931002384 |
| OTM201009927070 | R931002385 |
| OTM201009927080 | R931002386 |
| OTM201009932020 | R931002387 |
| OTM201009932030 | R931002388 |
| OTM201009932040 | R931002389 |
| OTM201009932050 | R931002390 |
| OTM201009932060 | R931002391 |
| OTM201009935020 | R931002392 |
| OTM201009935030 | R931002394 |
| OTM201009935040 | R931002395 |
| OTM201009935050 | R931002396 |
| OTM201009935060 | R931002397 |
| OTM201009935070 | R931002398 |