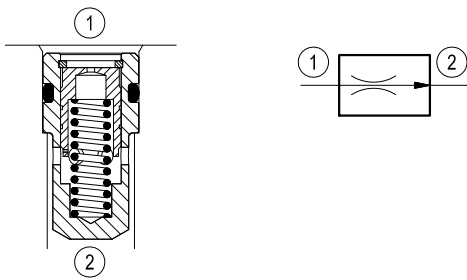


Insert type Flow control, 2-way pressure compensated fixed setting



IFC2

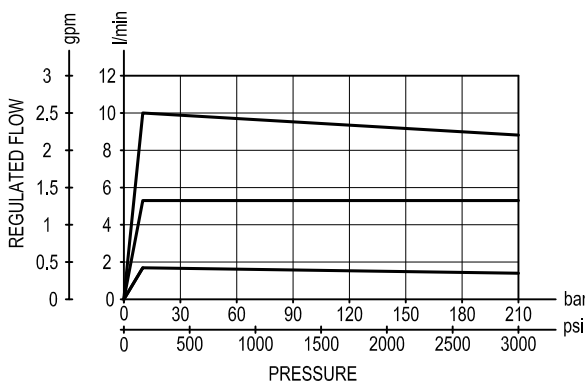
OT.F1.02.00.09 - Z



Description

A constant flow rate, regardless of system pressures, is established from 1 to 2 while a minimum pressure differential of 145 psi (10 bar) exists between the two ports. The valve cannot be adjusted for variable flow output. Flow from 2 to 1 is limited by the diameter of the selected control orifice and is not pressure compensated.

Performance

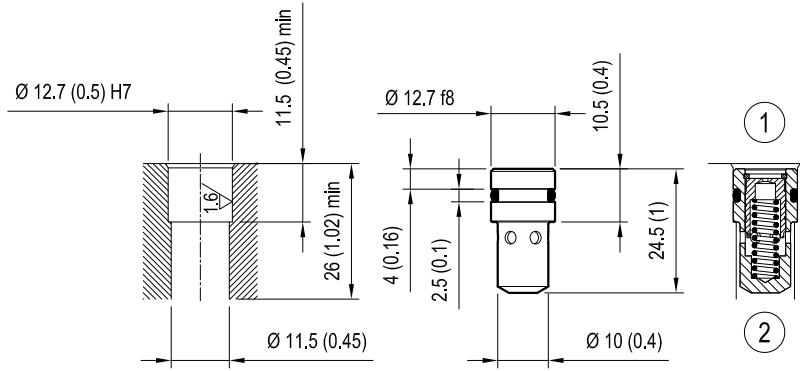


Technical data

| | | |
|---|-------------------|--|
| Max. operating pressure | bar (psi) | 210 (3000) |
| Max. flow | l/min. (gpm) | see "Regulated flow range" table |
| Fluid temperature range | °C (°F) | -30 to 100 (-22 to 212) |
| Weight | kg (lbs) | 0.013 (0.03) |
| Special cavity | | see "Dimensions" |
| Lines bodies and standard assemblies | | Please refer to section "Hydraulic integrated circuit" or consult factory |
| Seal kit (*) | code material no. | RGIFC2010000100 R931002403 |
| Fluids | | Mineral-based or synthetics with lubricating properties at viscosities of 10 to 500 mm ² /s (cSt) |
| Recommended degree of fluid contamination | | Nominal value max. 10µm (NAS 8) ISO 4406 20/18/15 |
| Other Technical Data | | See data sheet RE 18350-50 |

(*) Only external seals for 10 valves

Dimensions



Ordering code

| | | | |
|-------------|----|---|---|
| OT.F1.02.00 | 09 | Z | * |
|-------------|----|---|---|

Insert type - Flow control,
2-way pressure compensated
fixed setting

Port size Ø 12.7 (0.5)

Series O/A to L
unchanged performances and dimensions

| Regulated flow range l/min. (gpm) | | | | | | | | | |
|-----------------------------------|------------------|------------------|------------------|------------------|------------------|------------------|------------------|------------------|-------------------|
| = 01 | = 02 | = 03 | = 04 | = 05 | = 06 | = 07 | = 08 | = 09 | = 10 |
| 1 (0.3) ± 20% | 2 (0.5) ± 20% | 3 (0.8) ± 20% | 4 (1.1) ± 15% | 5 (1.3) ± 15% | 6 (1.6) ± 15% | 7 (1.9) ± 15% | 8 (2.1) ± 15% | 9 (2.4) ± 15% | 10 (2.6) ± 15% |

| Type | Material number |
|-----------------|-----------------|
| OTF102000901000 | R931002294 |
| OTF102000902000 | R931002295 |
| OTF102000903000 | R931002296 |
| OTF102000904000 | R931002297 |
| OTF102000905000 | R931002298 |
| OTF102000906000 | R931002299 |
| OTF102000907000 | R931002300 |
| OTF102000908000 | R931002301 |
| OTF102000909000 | R931002302 |
| OTF102000910000 | R931002303 |
| | |
| | |

| Type | Material number |
|------|-----------------|
| | |
| | |
| | |
| | |
| | |
| | |
| | |
| | |
| | |
| | |
| | |