

Flow regulator

3 way, pressure compensated

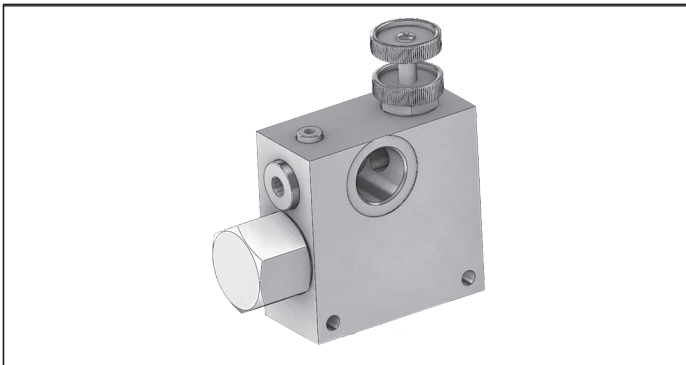
A-VRFC3

0M.C2.03 - X - 05

RE 18309-42

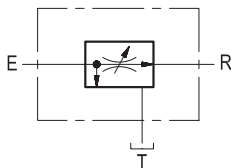
Edition: 03.2016

Replaces: 04.2010



Description

A constant flow rate, regardless of system pressures, is established from E to R, while a minimum pressure differential of appr. 5 bar (70 psi) exists between the two ports. Input flow supplied to E in excess of the regulated output at R is by-passed to T. Output flow can be varied from closed to the nominal maximum rating for the valve. Reverse flow from R to E is limited by the selected opening of the restrictor and is not pressure compensated. Flow from T to E or from T to R is not possible. Increasing or decreasing inlet flow may cause slight increase or decrease of Regulated flow.

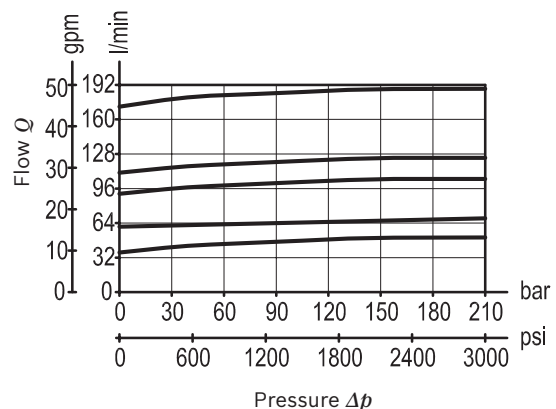


Technical data

Max. operating pressure	350 bar (5000 psi)
QE= max. inlet flow "E" port	280 l/min. (74 gpm)
QR= max. regulated flow "R" port	190 l/min. (50 gpm)
Flow range adjustment	0 - 3 turns
Weight	4.4 kg (9.7 lbs)
Manifold material	Zinc plated steel
Fluid	Mineral oil (HL, HLP) according DIN 51524
Fluid temperature range	-30 °C to 100 (-22 to 212 °F)
Viscosity range	5 to 800 mm ² /s (cSt)
Recommended degree of fluid contamination	Class 19/17/14 according to ISO 4406
Other technical data	see data sheet 18350-50

Note: for applications outside these parameters, please consult us.

Characteristic curve



Ordering code

0M.C2.03	X	05
-----------------	----------	-----------

Flow regulator
3 way, pressure compensated

Adjustments

Port sizes	E - R - T
	G 1

70 Handknob and locknut



80 Screw and locknut



40 Graduated handknob

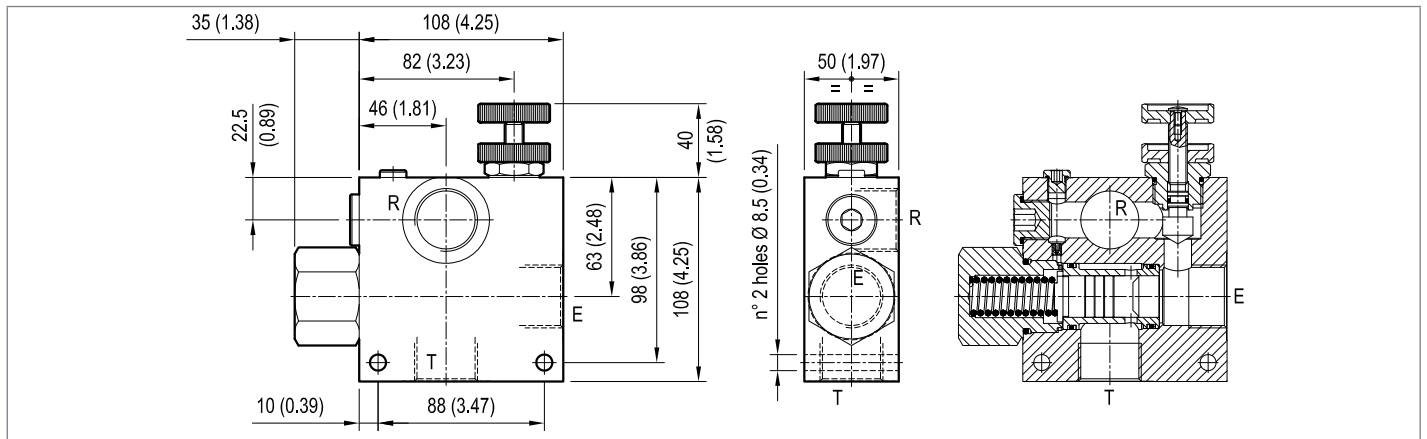


Preferred types

Type	Material number
0MC203700500000	R930004479
0MC203800500000	R930004481
0MC203400500000	R930004476

Type	Material number

Dimensions



Bosch Rexroth Oil Control S.p.A.

Via Leonardo da Vinci 5
P.O. Box no. 5
41015 Nonantola – Modena, Italy
Tel. +39 059 887 611
Fax +39 059 547 848
compact-hydraulics-pib@boschrexroth.com
www.boschrexroth.com/compacthydraulics

© This document, as well as the data, specifications and other information set forth in it, are the exclusive property of Bosch Rexroth Oil Control S.p.a.. It may not be reproduced or given to third parties without its consent. The data specified above only serve to describe the product. No statements concerning a certain condition or suitability for a certain application can be derived from our information. The information given does not release the user from the obligation of own judgment and verification. It must be remembered that our products are subject to a natural process of wear and aging. Subject to change.