

Flow regulator 3 way, pressure compensated with relief

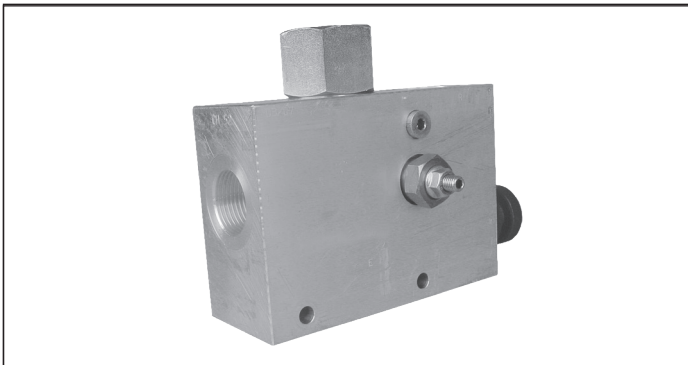
VRFC3-VS

0M.33.03 - X - Y

RE 18309-45

Edition: 12.2017

Replaces: 03.2016



Technical data

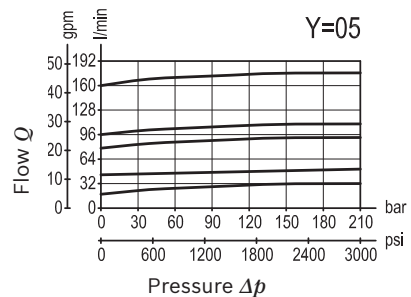
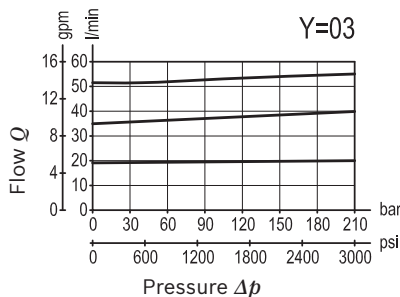
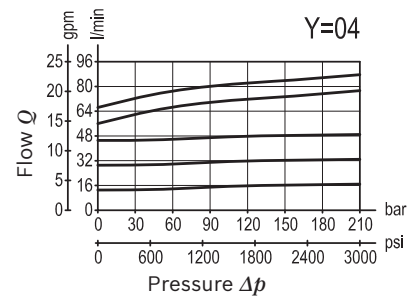
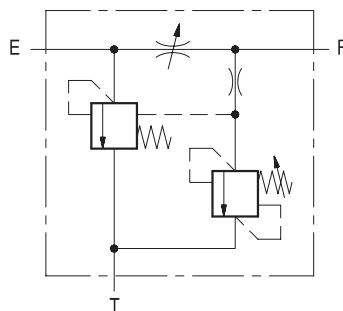
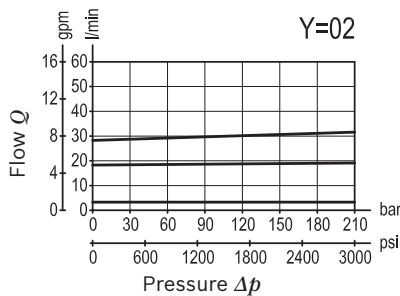
Max. pressure	210 bar (3000 psi)
Adj. relief valve: range	35-210 bar (500-3000 psi)
Standard setting:	210 bar (3000 psi)
QE= max. inlet flow "E" port (see "Dimensions")	
QR= max. regulated flow "R" port (see "Dimensions")	
Flow range adjustment	0 - 3 turns
Weight	see "Dimensions"
Manifold material	Aluminium
Note: aluminium bodies are often strong enough for operating pressures exceeding 210 bar (3000 psi), depending from the fatigue life expected in the specific application. If in doubt, consult our Service Network.	
Fluid	Mineral oil (HL, HLP) according DIN 51524
Fluid temperature range	-30 °C to 100 (-22 to 212 °F)
Viscosity range	10 to 500 mm ² /s (cSt)
Recommended degree of fluid contamination	Class 19/17/14 according to ISO 4406
Other technical data	see data sheet 18350-50

Note: for applications outside these parameters, please consult us.

Description

A constant pressure compensated flow rate is established from E to R, while a minimum pressure differential of appr. 5 bar (70 psi) exists between the two ports. Input flow supplied to E in excess of the regulated output at R is bypassed to T. Output flow can be varied from closed to the nominal maximum rating for the valve. The valve module includes a small pilot relief cartridge which senses the pressure of the Regulated flow and diverts it to tank if the maximum allowed pressure is reached. Reverse flow from R to E is limited by the selected opening of the restrictor and is not pressure compensated. Flow from T to E or from T to R is not permitted.

Characteristic curve

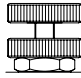


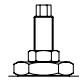
Ordering code

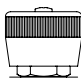
0M.33.03	X	Y
-----------------	----------	----------

Flow regulator
3 way, pressure compensated
with relief


Adjustments

70 Handknob and locknut 

80 Screw and locknut 

40 Graduated handknob 

Port sizes	E - R - T
02	G 3/8
03	G 1/2
04	G 3/4
05	G 1

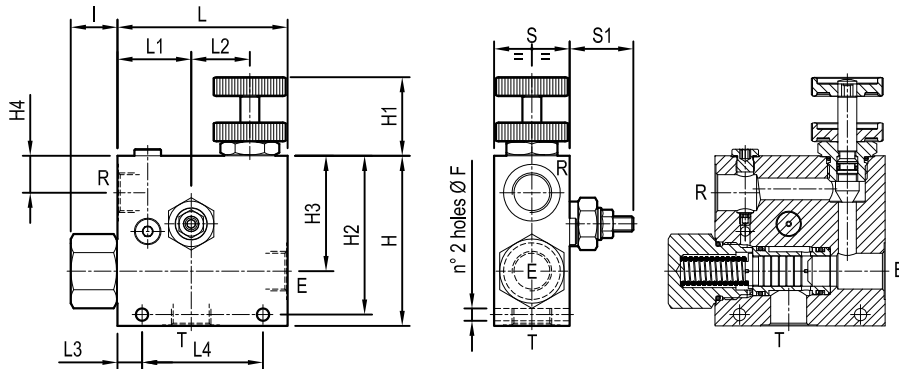
Tamper resistant cap code
ordering code 11.04.23.002
Mat. no. R930000752 

Preferred types

Type	Material number
0M330370020000A	R930004260
0M330370030000A	R930004262
0M330370040000A	R930004263
0M330370050000A	R930004264
0M330380020000A	R930004266
0M330380030000A	R930004267

Type	Material number
0M330380040000A	R930004268
0M330380050000A	R930004270
0M330340020000A	R930004251
0M330340030000A	R930004252
0M330340040000A	R930004254
0M330340050000A	R930004255

Dimensions



34 (1.34)	60 (2.36)	75 (2.95)	20 (0.79)	62 (2.44)	65 (2.56)	155 (6.1)	25 (0.98)	46 (1.81)	83 (3.27)	100 (3.94)	40 (1.58)	110 (4.33)	8.5 (0.34)	190 l/min 50 gpm	280 l/min 74 gpm	G 1	3.3 (7.3)
34 (1.34)	50 (1.97)	88 (3.47)	10 (0.39)	35 (1.38)	44 (1.73)	108 (4.25)	25 (0.98)	23 (0.91)	73 (2.87)	101.5 (4)	40 (1.58)	110 (4.33)	8.5 (0.34)	90 l/min 24 gpm	150 l/min 40 gpm	G 3/4	2 (4.4)
34 (1.34)	40 (1.58)	64 (2.52)	13 (0.51)	31 (1.22)	39 (1.54)	90 (3.54)	25 (0.98)	17.5 (0.69)	60 (2.36)	84 (3.31)	40 (1.58)	90 (3.54)	6.5 (0.26)	55 l/min 15 gpm	90 l/min 24 gpm	G 1/2	1.1 (2.42)
34 (1.34)	40 (1.58)	64 (2.52)	13 (0.51)	31 (1.22)	39 (1.54)	90 (3.54)	25 (0.98)	17.5 (0.69)	60 (2.36)	84 (3.31)	40 (1.58)	90 (3.54)	6.5 (0.26)	30 l/min 8 gpm	55 l/min 15 gpm	G 3/8	1.1 (2.42)
S1	S	L4	L3	L2	L1	L	I	H4	H3	H2	H1	H	F	QR	QE	Y	Weight kg (lbs)

Bosch Rexroth Oil Control S.p.A.

Via Leonardo da Vinci 5
P.O. Box no. 5
41015 Nonantola – Modena, Italy
Tel. +39 059 887 611
Fax +39 059 547 848
compact-hydraulics-pib@boschrexroth.com
www.boschrexroth.com/compacthydraulics

© This document, as well as the data, specifications and other information set forth in it, are the exclusive property of Bosch Rexroth Oil Control S.p.a.. It may not be reproduced or given to third parties without its consent. The data specified above only serve to describe the product. No statements concerning a certain condition or suitability for a certain application can be derived from our information. The information given does not release the user from the obligation of own judgment and verification. It must be remembered that our products are subject to a natural process of wear and aging. Subject to change.