

Dual counterbalance, relief compensated

A-VBSO-DE-CC

08.42.05 - X - Y - Z

RE 18307-69

Edition: 03.2016

Replaces: 10.2009



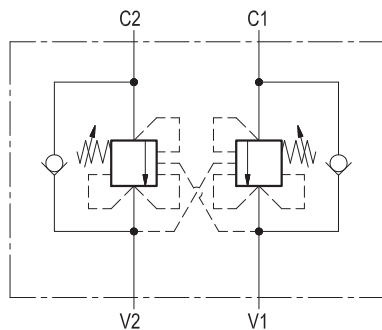
Technical data

Max. operating pressure	350 bar (5000 psi)
Max. flow	see performance graph
Weight	4.5 kg (9.9 lbs)
Manifold material	Zinc plated steel
Fluid	Mineral oil (HL, HLP) according DIN 51524
Fluid temperature range	-30 °C to 100 (-22 to 212 °F)
Viscosity range	5 to 800 mm ² /s (cSt)
Recommended degree of fluid contamination	Class 19/17/14 according to ISO 4406
Other technical data	see data sheet 18350-50

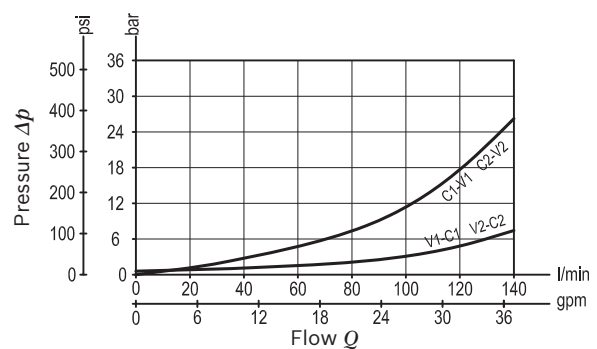
Note: for applications outside these parameters, please consult us.

Description

It provides static and dynamic control of load by regulating the flow IN and OUT of the actuator, through ports C1 and C2. This valve module includes 2 sections, each one composed by a check and a relief valve with balanced piston, pilot assisted by pressure in the opposite line: the check section allows free flow into the actuator, then holds the load against reverse movement; with pilot pressure applied at the line across, the pressure setting of the relief is reduced in proportion to the stated ratio until opening and allowing controlled reverse flow. Relief operates at the valve setting independent of back-pressure, but the piloted opening remains subject to additive pressure at V1 or V2.



Characteristic curve



Ordering code

08.42.05	X	Y	Z
-----------------	----------	----------	----------

Dual counterbalance,
relief compensated

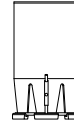
Pilot ratio

02 8.2 : 1

Port sizes	V1 - V2	C1 - C2	
04	G 3/4	G 3/4	

SPRINGS		
Adj. pressure range bar (psi)	Pres. increase bar/turn (psi/turn)	Std. setting Q=5 (l/min) bar (psi)
35 100-350 (1450-5000)	95 (1378)	350 (5000)

Tamper resistant cap code
ordering code 03.05.01.001
Mat. no. R930000470

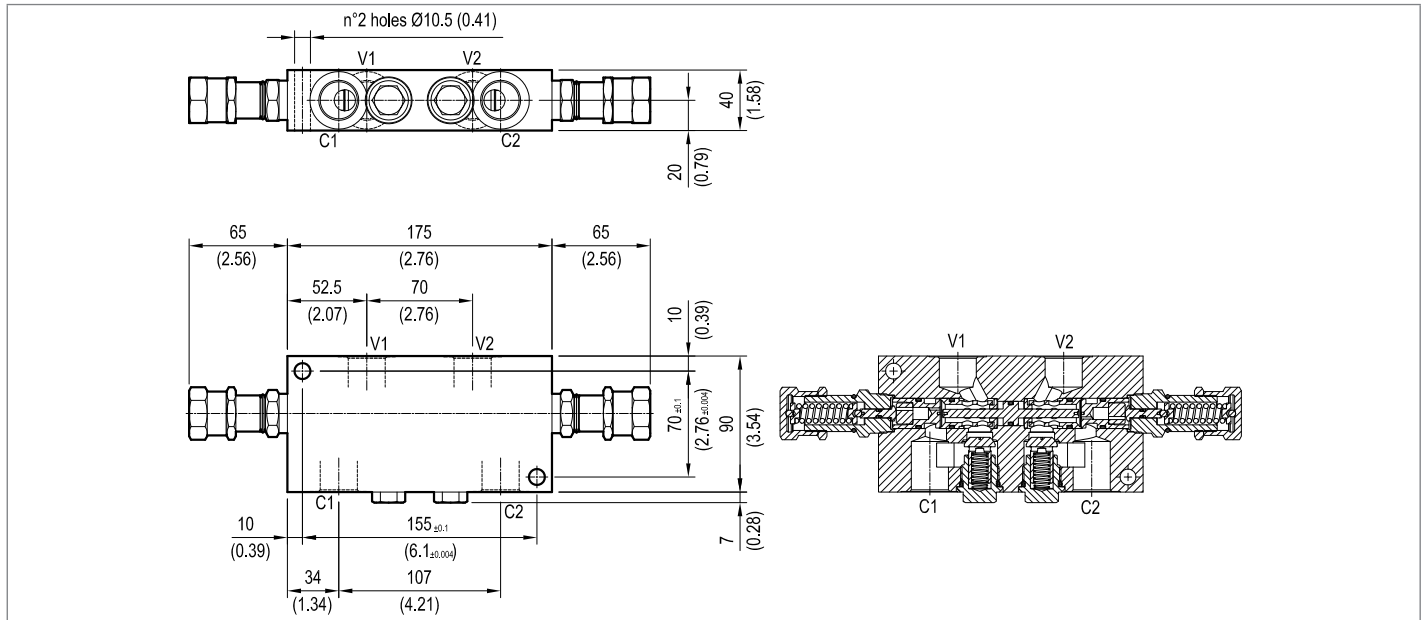


Preferred types

Type	Material number
084205020435000	R930001126

Type	Material number

Dimensions



Bosch Rexroth Oil Control S.p.A.

Via Leonardo da Vinci 5
P.O. Box no. 5
41015 Nonantola – Modena, Italy
Tel. +39 059 887 611
Fax +39 059 547 848
compact-hydraulics-pib@boschrexroth.com
www.boschrexroth.com/compacthydraulics

© This document, as well as the data, specifications and other information set forth in it, are the exclusive property of Bosch Rexroth Oil Control S.p.a.. It may not be reproduced or given to third parties without its consent. The data specified above only serve to describe the product. No statements concerning a certain condition or suitability for a certain application can be derived from our information. The information given does not release the user from the obligation of own judgment and verification. It must be remembered that our products are subject to a natural process of wear and aging. Subject to change.