

Automatic shut-off

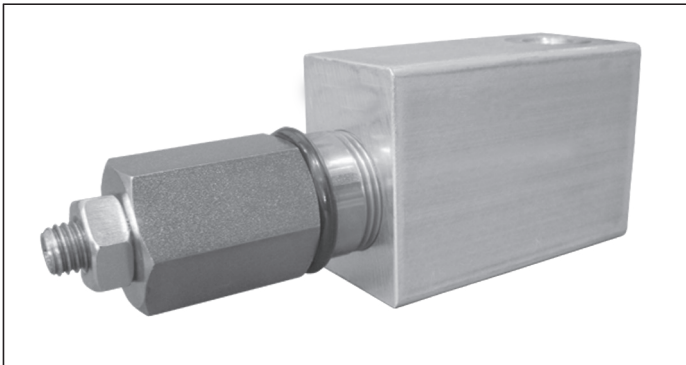
VEM

05.98.03 - X - Y - Z

RE 18310-10

Edition: 03.2016

Replaces: 07.2012



Description

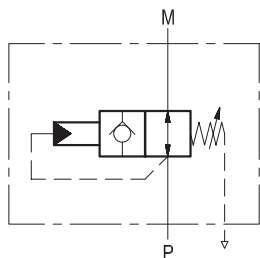
It is intended for protection of a pressure gauge M connected to a pressure line P; the valve blocks excess pressure to the instrument M, preventing calibration failure, internal damage, and “blow-out” from over-ranging – a principal cause of instrument failure. The valve is normally open, and positively closes, without chattering, when the adjusted pressure threshold is reached; a pressure reduction at P port below the set value will automatically re-open the valve, without requiring external re-setting.

Note: port identified with M are not protected with calibrated orifice but in direct connection with pressure channels.

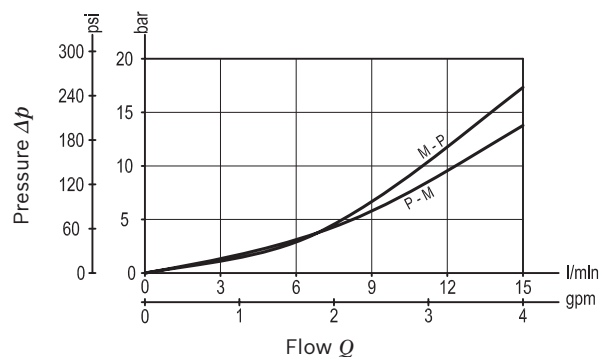
Technical data

Operating pressure	up to 210 bar (3000 psi)
Max. flow	15 l/min. (4 gpm)
Weight	0.66 kg (1.46 lbs)
Manifold material	Aluminium
Note: aluminium bodies are often strong enough for operating pressures exceeding 210 bar (3000 psi), depending from the fatigue life expected in the specific application. If in doubt, consult our Service Network.	
Fluid	Mineral oil (HL, HLP) according DIN 51524
Fluid temperature range	-30 °C to 100 (-22 to 212 °F)
Viscosity range	5 to 800 mm ² /s (cSt)
Recommended degree of fluid contamination	Class 19/17/14 according to ISO 4406
Other technical data	see data sheet 18350-50

Note: for applications outside these parameters, please consult us.



Characteristic curve




Ordering code

05.98.03	X	Y	Z
-----------------	----------	----------	----------

Automatic shut-off

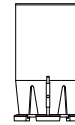
Adjustments

03 Leakproof hex. socket screw 

Port sizes	P	M	
09	G 1/4	G 1/4	

	SPRINGS		
	Adj. pressure range bar (psi)	Pres. increase bar/turn (psi/turn)	Std. setting Q=5 (l/min) bar (psi)
05	15-50 (220-725)	15.5 (225)	50 (725)
10	35-100 (500-1450)	33 (479)	100 (1450)
20	80-210 (1150-3000)	68 (986)	200 (2900)
35	180-350 (2600-5000)	100 (1450)	350 (5000)

Tamper resistant cap code
ordering code 03.05.01.001
Mat. no. R930000470

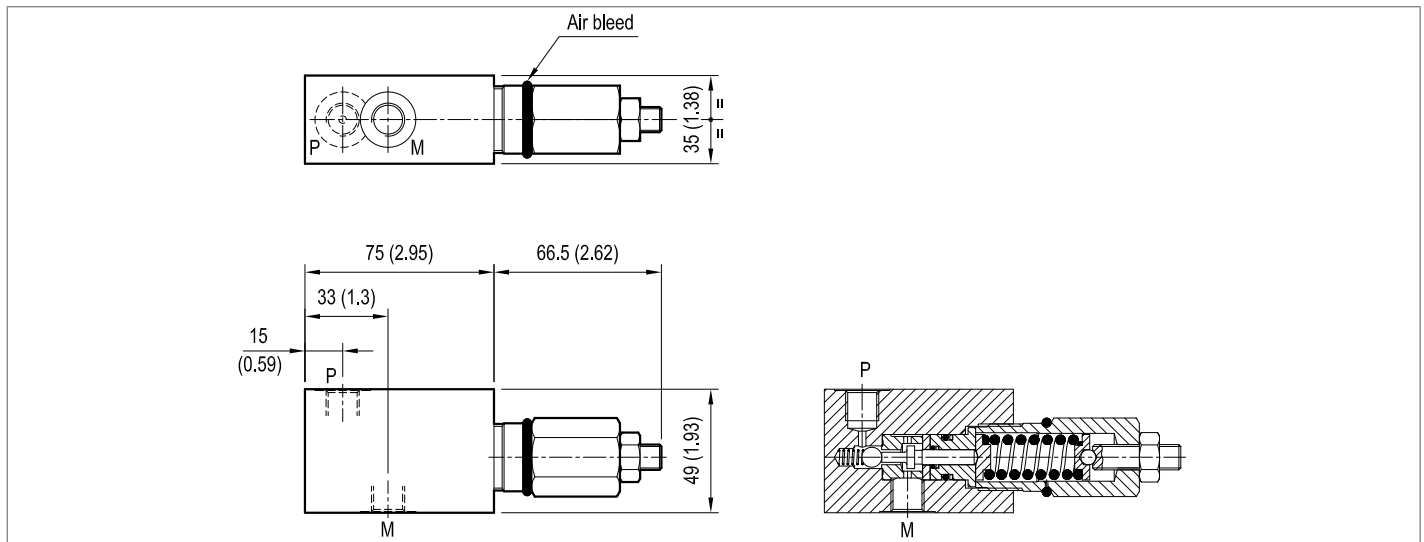


Preferred types

Type	Material number
059803030905000	R930002694
059803030910000	R930002695
059803030920000	R930002696
059803030935000	R930002698

Type	Material number

Dimensions



Bosch Rexroth Oil Control S.p.A.

Via Leonardo da Vinci 5
P.O. Box no. 5
41015 Nonantola – Modena, Italy
Tel. +39 059 887 611
Fax +39 059 547 848
compact-hydraulics-pib@boschrexroth.com
www.boschrexroth.com/compacthydraulics

© This document, as well as the data, specifications and other information set forth in it, are the exclusive property of Bosch Rexroth Oil Control S.p.a.. It may not be reproduced or given to third parties without its consent. The data specified above only serve to describe the product. No statements concerning a certain condition or suitability for a certain application can be derived from our information. The information given does not release the user from the obligation of own judgment and verification. It must be remembered that our products are subject to a natural process of wear and aging. Subject to change.