

Pilot operated unloading

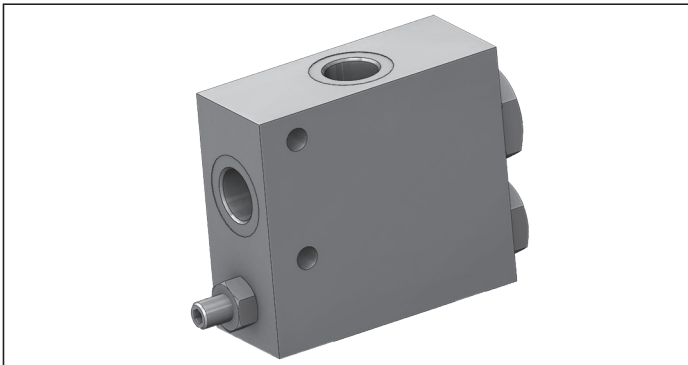
BM-N

05.93.04 - X - Y - Z

RE 18310-11

Edition: 03.2016

Replaces: 04.2010



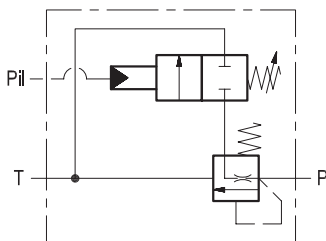
Description

This valve unloads a pump or a pressure line to tank when a pilot pressure is reached. Flow from P to T is normally blocked by the main spool; when pressure at Pil increases, and reaches the selected setting, it displaces the pilot piston and exhausts to tank the spring side of the main spool allowing it to shift and to open the flow unloading path from P to T. Back-pressure at T is additive to the unloading setting of the valve.

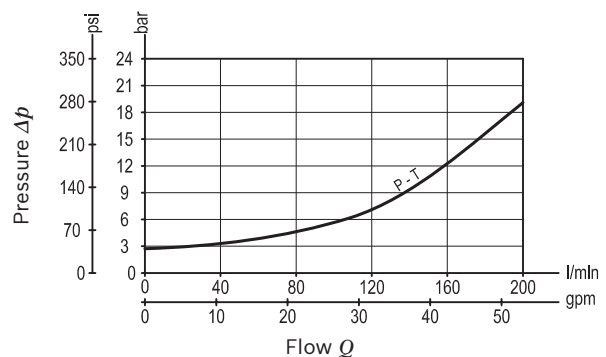
Technical data

Operating pressure	up to 210 bar (3000 psi)
Max. flow	200 l/min. (53 gpm)
Weight	see "Dimensions"
Manifold material	Aluminium
Note: aluminium bodies are often strong enough for operating pressures exceeding 210 bar (3000 psi), depending from the fatigue life expected in the specific application. If in doubt, consult our Service Network.	
Fluid	Mineral oil (HL, HLP) according DIN 51524
Fluid temperature range	-30 °C to 100 (-22 to 212 °F)
Viscosity range	5 to 800 mm ² /s (cSt)
Recommended degree of fluid contamination	Class 19/17/14 according to ISO 4406
Other technical data	see data sheet 18350-50

Note: for applications outside these parameters, please consult us.



Characteristic curve



Ordering code

05.93.04	X	Y	Z
-----------------	----------	----------	----------

Pilot operated unloading

Adjustments

03 Leakproof hex. socket screw

Port sizes	P	T	Pil
03	G 1/2	G 1/2	G 1/4
04	G 3/4	G 3/4	G 1/4

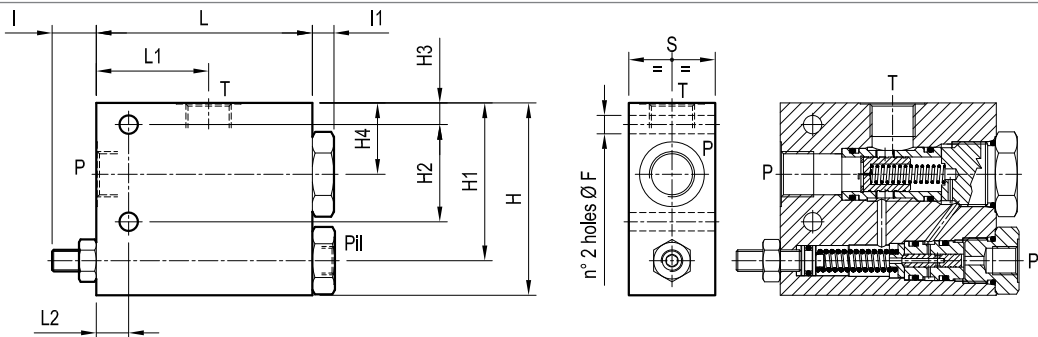
	SPRINGS		
	Adj. pressure range bar (psi)	Pres. increase bar/turn (psi/turn)	Std. setting Q=5 (l/min) bar (psi)
05	10-50 (145-725)	12 (174)	50 (725)
10	20-100 (290-1450)	24 (348)	100 (1450)
20	50-200 (725-2900)	47 (682)	200 (2900)
35	100-300 (1450-4350)	83 (1204)	300 (4350)

Preferred types

Type	Material number
05930403030500A	R930059060
05930403031000A	R930059068
05930403032000A	R930059080
05930403033500A	R930059158

Type	Material number
05930403040500A	R930059061
05930403041000A	R930059069
05930403042000A	R930059081
05930403043500A	R930059160

Dimensions



40 (1.58)	15 (0.59)	52 (2.05)	100 (3.94)	10 (2.15)	21 (0.83)	49 (1.93)	25 (0.98)	45 (1.77)	89 (3.5)	105 (4.13)		8.5 (0.34)	G 3/4	1.35 (2.98)
40 (1.58)	15 (0.59)	52 (2.05)	100 (3.94)	10 (2.15)	21 (0.83)	33 (1.3)	10 (0.39)	45 (1.77)	73 (2.87)	89 (3.5)		8.5 (0.34)	G 1/2	1.3 (2.87)
S	L2	L1	L	I1	I	H4	H3	H2	H1	H		F	Y	Weight kg (lbs)

Bosch Rexroth Oil Control S.p.A.

Via Leonardo da Vinci 5
 P.O. Box no. 5
 41015 Nonantola – Modena, Italy
 Tel. +39 059 887 611
 Fax +39 059 547 848
 compact-hydraulics-pib@boschrexroth.com
 www.boschrexroth.com/compacthydraulics

© This document, as well as the data, specifications and other information set forth in it, are the exclusive property of Bosch Rexroth Oil Control S.p.a.. It may not be reproduced or given to third parties without its consent. The data specified above only serve to describe the product. No statements concerning a certain condition or suitability for a certain application can be derived from our information. The information given does not release the user from the obligation of own judgment and verification. It must be remembered that our products are subject to a natural process of wear and aging. Subject to change.