

Pressure reducing, pilot operated spool type

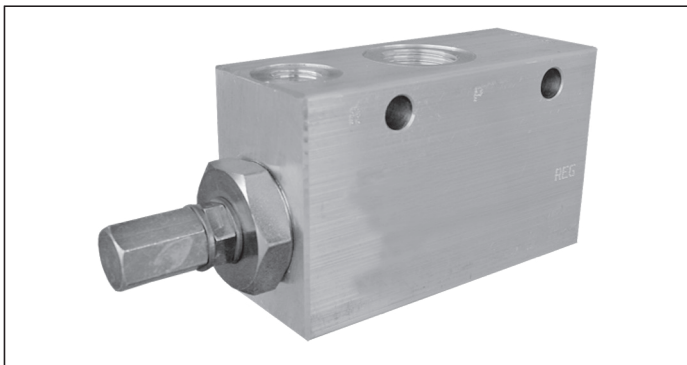
VRPC-150

05.90.33 - X - Y - Z

RE 18309-74

Edition: 09.2020

Replaces: 03.2016



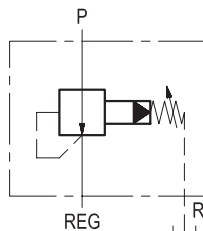
Technical data

Max. operating pressure	210 bar (3000 psi)
Max. flow	120 l/min. (32 gpm)
Standard internal orifice: 0.6 mm	
Weight	1 kg (2.2 lbs)
Manifold material	Aluminium
Note: aluminium bodies are often strong enough for operating pressures exceeding 210 bar (3000 psi), depending from the fatigue life expected in the specific application. If in doubt, consult our Service Network.	
Fluid	Mineral oil (HL, HLP) according DIN 51524
Fluid temperature range	-30 °C to 100 (-22 to 212 °F)
Viscosity range	10 to 500 mm ² /s (cSt)
Recommended degree of fluid contamination	Class 19/17/14 according to ISO 4406
Other technical data	see data sheet 18350-50

Note: for applications outside these parameters, please consult us.

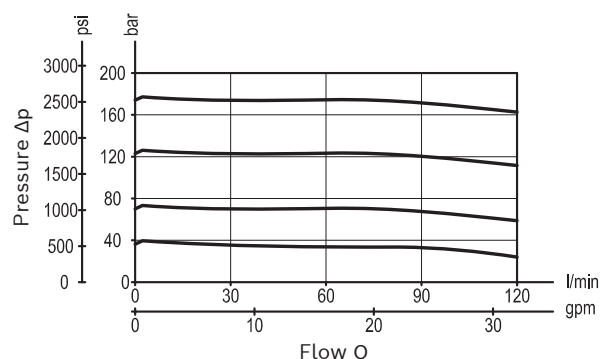
Description

Initially, flow passes freely from P to REG. When the pressure at REG exceeds the pressure setting, the valve acts to restrict input flow at P. This increases the pressure drop through the valve and maintains consistent pressure at REG. The spring chamber is drained to prevent a build-up of back-pressure against the spool.



P = Inlet
REG = A (Reduced pressure)
R = T (Tank)

Characteristic curve



Ordering code

05.90.33	X	Y	Z
-----------------	----------	----------	----------

Pressure reducing pilot operated spool type

Adjustments

03 Leakproof hex. socket screw



SPRINGS		
Adj. pressure range bar (psi)	Pres. increase bar/turn (psi/turn)	Std. setting Q=5 (l/min) bar (psi)
20 20-210 (290-3000)	32 (464)	100 (1450)

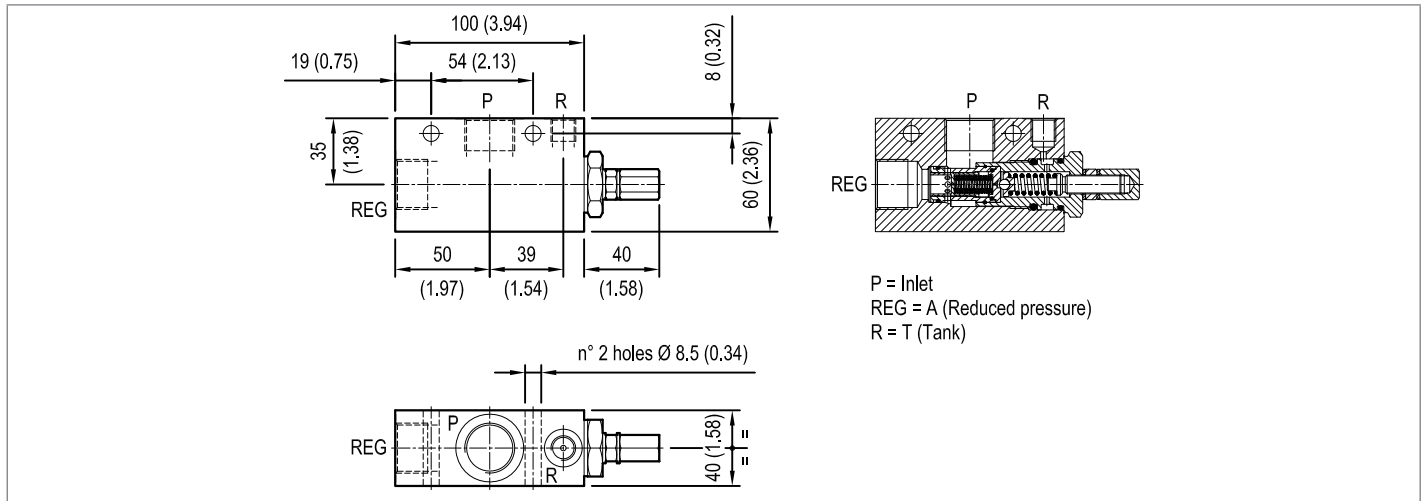
Port sizes	P	R	REG
03	G 1/2	G 1/4	G 1/2

Preferred types

Type	Material number
05903303032000A	R930002598
05903303042000A	R930002599

Type	Material number

Dimensions



Bosch Rexroth Oil Control S.p.A.

Via Leonardo da Vinci 5
P.O. Box no. 5
41015 Nonantola – Modena, Italy
Tel. +39 059 887 611
Fax +39 059 547 848
compact-hydraulics-pib@boschrexroth.com
www.boschrexroth.com/compacthydraulics

© This document, as well as the data, specifications and other information set forth in it, are the exclusive property of Bosch Rexroth Oil Control S.p.a.. It may not be reproduced or given to third parties without its consent. The data specified above only serve to describe the product. No statements concerning a certain condition or suitability for a certain application can be derived from our information. The information given does not release the user from the obligation of own judgment and verification. It must be remembered that our products are subject to a natural process of wear and aging. Subject to change.