

Pressure reducing and relieving, direct acting spool type

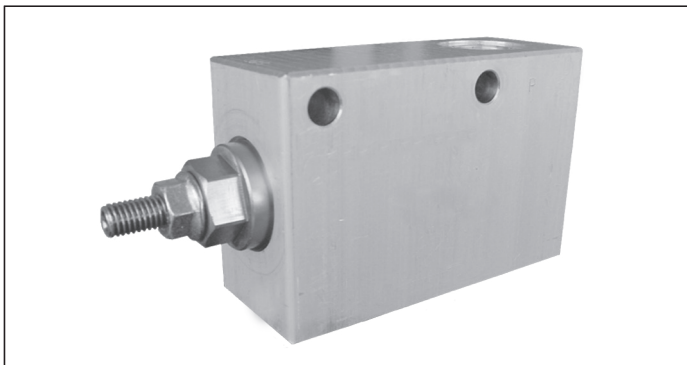
VRP-R

05.90.27 - X - Y - Z

RE 18309-72

Edition: 05.2020

Replaces: 03.2016



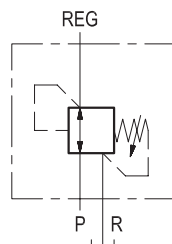
Technical data

Max. operating pressure	210 bar (3000 psi)
Max. flow	20 l/min. (5 gpm)
Max. leakage: 10 cc/min. (0.6 in ³ /min.) at 90% of pressure setting	
Weight	0.85 kg (1.87 lbs)
Manifold material	Aluminium
Note: aluminium bodies are often strong enough for operating pressures exceeding 210 bar (3000 psi), depending from the fatigue life expected in the specific application. If in doubt, consult our Service Network.	
Fluid	Mineral oil (HL, HLP) according DIN 51524
Fluid temperature range	-30 °C to 100 (-22 to 212 °F)
Viscosity range	5 to 800 mm ² /s (cSt)
MTTFD	150 years see RE 18350-51
Recommended degree of fluid contamination	Class 19/17/14 according to ISO 4406
Other technical data	see data sheet 18350-50

Note: for applications outside these parameters, please consult us.

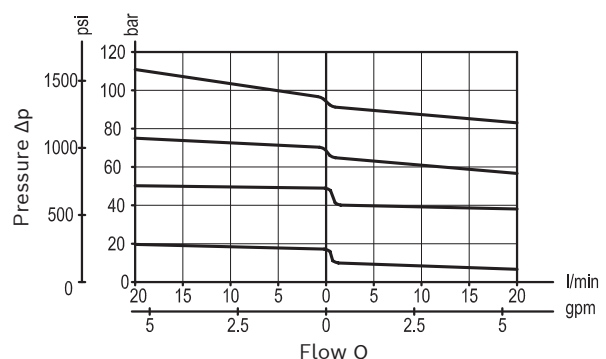
Description

Initially, flow passes freely from P to REG. When the pressure at REG exceeds the pressure setting, the valve acts to restrict input flow at P. This increases the pressure drop through the valve and maintains consistent pressure at REG. The spring chamber is drained to prevent a build-up of back-pressure against the spool. Additionally, if pressure at REG rises above the pressure setting, flow is relieved to R (Tank) until the setting is re-attained.



P = Inlet
REG = A (Reduced pressure)
R = T (Tank)

Characteristic curve



Ordering code

05.90.27	X	Y	Z
-----------------	----------	----------	----------

Pressure reducing and relieving
direct acting spool type

Adjustments

03 Leakproof hex. socket screw



Port sizes	P	R	REG
02	G 3/8	G 3/8	G 3/8

	SPRINGS		
	Adj. pressure range bar (psi)	Pres. increase bar/turn (psi/turn)	Std. setting Q=5 (l/min) bar (psi)
02	2-21 (30-305)	3 (44)	10 (145)
04	3-42 (44-610)	5 (73)	20 (290)
06	7-63 (102-914)	8 (116)	30 (435)
10	11-105 (160-1525)	13 (189)	50 (725)

Tamper resistant cap
ordering code 11.04.23.002
Mat. no. R930000752

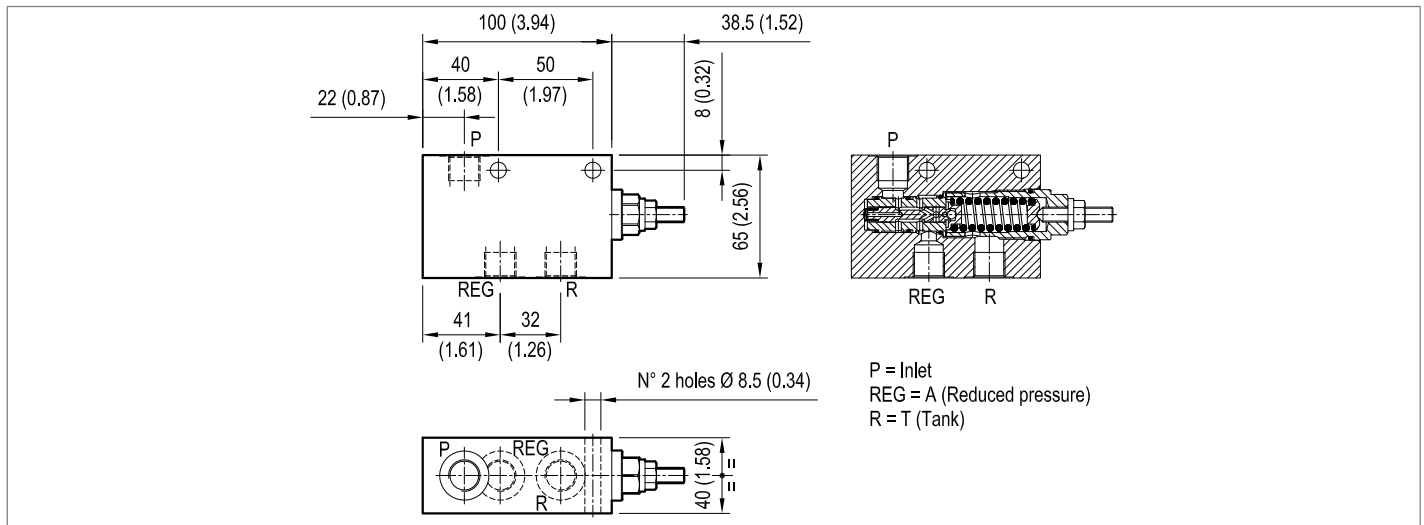


Preferred types

Type	Material number
05902703020200B	R930002585
05902703020400B	R930002587
05902703020600B	R930002588
05902703021000B	R930002589

Type	Material number

Dimensions



Bosch Rexroth Oil Control S.p.A.

Via Leonardo da Vinci 5
P.O. Box no. 5
41015 Nonantola – Modena, Italy
Tel. +39 059 887 611
Fax +39 059 547 848
compact-hydraulics-pib@boschrexroth.com
www.boschrexroth.com/compacthydraulics

© This document, as well as the data, specifications and other information set forth in it, are the exclusive property of Bosch Rexroth Oil Control S.p.a.. It may not be reproduced or given to third parties without its consent. The data specified above only serve to describe the product. No statements concerning a certain condition or suitability for a certain application can be derived from our information. The information given does not release the user from the obligation of own judgment and verification. It must be remembered that our products are subject to a natural process of wear and aging. Subject to change.