

# Motion control with brake release port

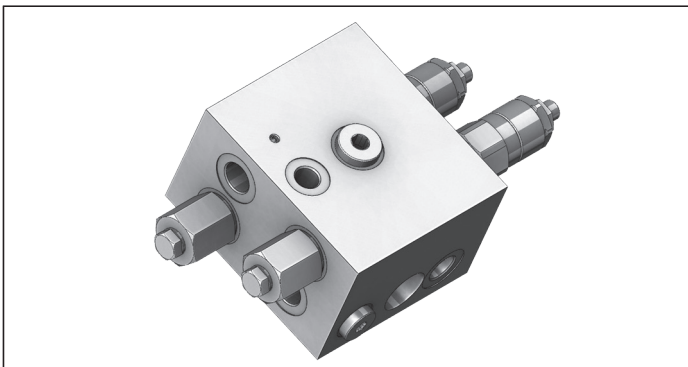
VAA-B-SICN-ST-VF-50

05.71.45 - X - 02 - Z

**RE 18308-75**

Edition: 03.2016

Replaces: 07.2012



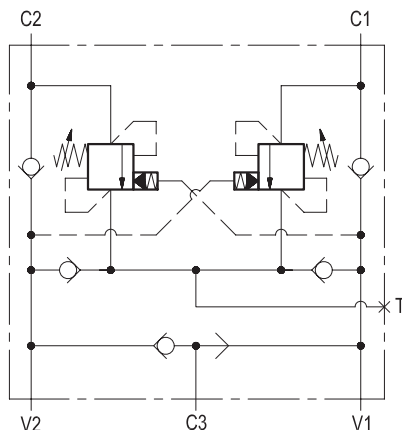
## Description

It provides static and dynamic motion control by regulating flow and pressure IN and OUT of the hydraulic motor at ports C1 and C2. When installed close to the motor, it can stop runaway in case of hose failure. The check sections allow free flow into the motor and prevent reverse movement; the pilot assisted relief valves control the movement when pilot pressure is applied. A system of check valves allows cross line relief; an optional make-up port (T) allows to compensate for any volume change. Through port C3, a shuttle valve directs either V1 or V2 pressure to the spring actuated brake for brake releasing.

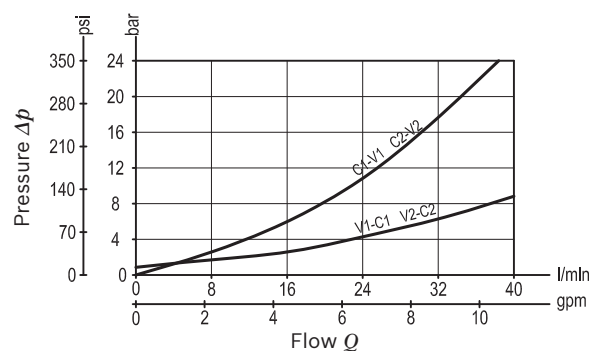
## Technical data

Operating pressure	up to 210 bar (3000 psi)
Max. flow	40 l/min. (11 gpm)
Weight	3 kg (6.6 psi)
Manifold material	Aluminium
Note: aluminium bodies are often strong enough for operating pressures exceeding 210 bar (3000 psi), depending from the fatigue life expected in the specific application. If in doubt, consult our Service Network.	
Fluid	Mineral oil (HL, HLP) according DIN 51524
Fluid temperature range	-30 °C to 100 (-22 to 212 °F)
Viscosity range	10 to 500 mm <sup>2</sup> /s (cSt)
Recommended degree of fluid contamination	Class 19/17/14 according to ISO 4406
Other technical data	see data sheet 18350-50
Relief setting: at least 1.3 times the highest expected load.	

Note: for applications outside these parameters, please consult us.



## Characteristic curve



**Ordering code**

<b>05.71.45</b>	<b>X</b>	<b>02</b>	<b>Z</b>
-----------------	----------	-----------	----------

Motion control  
with brake release port

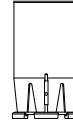
Pilot ratio

**37** 9.1 : 1

	SPRINGS		
	Adj. pressure range bar (psi)	Pres. increase bar/turn (psi/turn)	Std. setting Q=5 (l/min) bar (psi)
<b>20</b>	60-210 (870-3000)	60 (870)	150 (2200)
<b>35</b>	100-350 (1450-5000)	100 (1450)	150 (2200)

Port sizes	V1 - V2	C1 - C2	C3	T
	G 3/8	G 3/8	G 1/4	G 3/8

Tamper resistant cap code  
ordering code 03.05.01.001  
Mat. no. R930000470

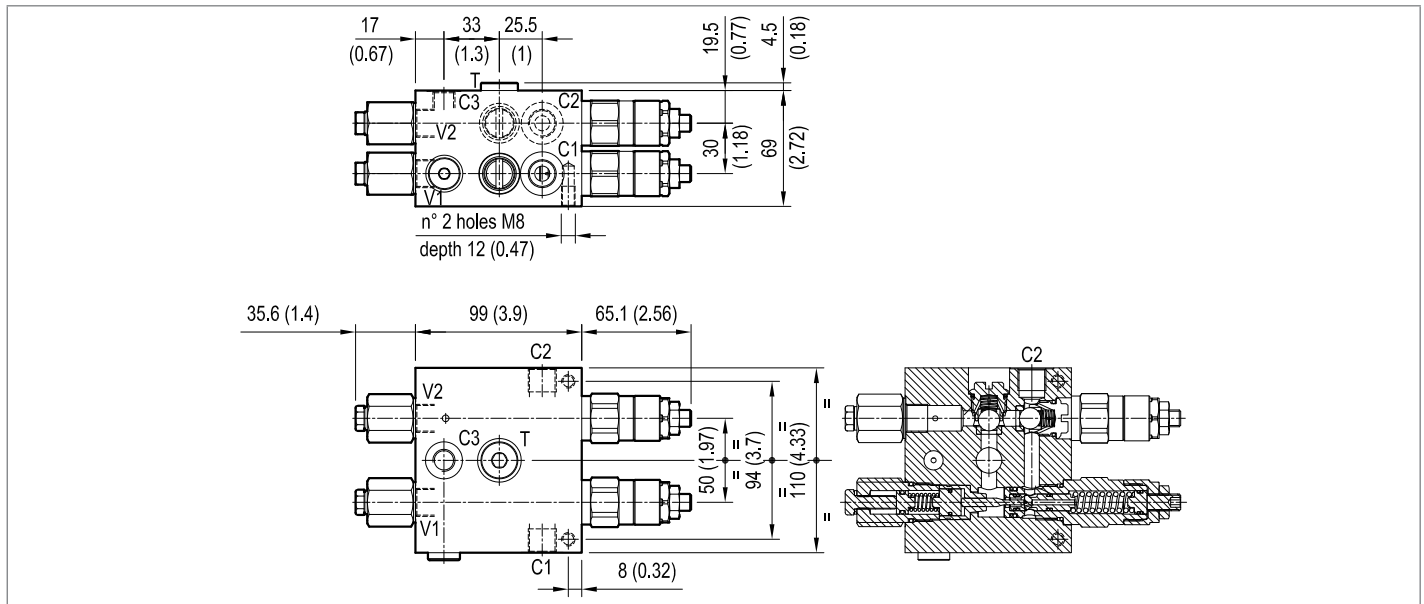


**Preferred types**

Type	Material number
05714537022000A	R930006868
05714537023500A	R930006866

Type	Material number

**Dimensions**



**Bosch Rexroth Oil Control S.p.A.**

Via Leonardo da Vinci 5  
P.O. Box no. 5  
41015 Nonantola – Modena, Italy  
Tel. +39 059 887 611  
Fax +39 059 547 848  
compact-hydraulics-pib@boschrexroth.com  
www.boschrexroth.com/compacthydraulics

© This document, as well as the data, specifications and other information set forth in it, are the exclusive property of Bosch Rexroth Oil Control S.p.a.. It may not be reproduced or given to third parties without its consent. The data specified above only serve to describe the product. No statements concerning a certain condition or suitability for a certain application can be derived from our information. The information given does not release the user from the obligation of own judgment and verification. It must be remembered that our products are subject to a natural process of wear and aging. Subject to change.