

Motion control

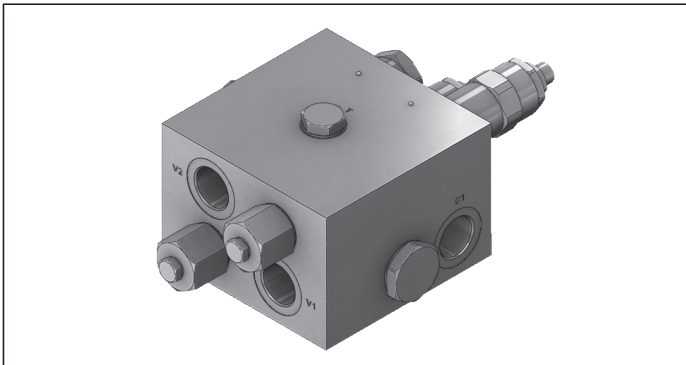
VAA-B-SICN-ST-250

05.71.44 - X - 05 - Z

RE 18308-74

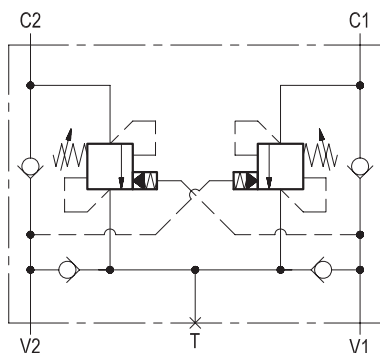
Edition: 03.2016

Replaces: 07.2012



Description

It provides static and dynamic motion control by regulating flow and pressure IN and OUT of the hydraulic motor at ports C1 and C2. When installed close to the motor, it can stop runaway in case of hose failure. The check sections allow free flow into the motor and prevent reverse movement; the pilot assisted relief valves control the movement when pilot pressure is applied. A system of check valves allows cross line relief; an optional make-up port (T) allows to compensate for any volume change.

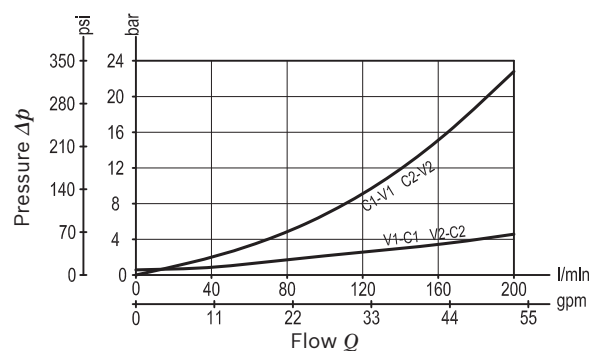


Technical data

| | |
|--|---|
| Operating pressure | up to 210 bar (3000 psi) |
| Max. flow | 200 l/min. (53 gpm) |
| Weight | 10.8 kg (23.8 psi) |
| Manifold material | Aluminium |
| Note: aluminium bodies are often strong enough for operating pressures exceeding 210 bar (3000 psi), depending from the fatigue life expected in the specific application. If in doubt, consult our Service Network. | |
| Fluid | Mineral oil (HL, HLP) according DIN 51524 |
| Fluid temperature range | -30 °C to 100 (-22 to 212 °F) |
| Viscosity range | 10 to 500 mm ² /s (cSt) |
| Recommended degree of fluid contamination | Class 19/17/14 according to ISO 4406 |
| Other technical data | see data sheet 18350-50 |
| Relief setting: at least 1.3 times the highest expected load. | |

Note: for applications outside these parameters, please consult us.

Characteristic curve



Ordering code

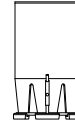
| | | | |
|-----------------|----------|-----------|----------|
| 05.71.44 | X | 05 | Z |
|-----------------|----------|-----------|----------|

| | |
|----------------|-------|
| Motion control | |
| Pilot ratio | |
| 03 | 8:1 |
| 10 | 2.8:1 |

| | | | |
|------------|---------|---------|-------|
| Port sizes | V1 - V2 | C1 - C2 | T |
| | G 1 | G 1 | G 5/8 |

| SPRINGS | | |
|-------------------------------|------------------------------------|------------------------------------|
| Adj. pressure range bar (psi) | Pres. increase bar/turn (psi/turn) | Std. setting Q=5 (l/min) bar (psi) |
| 35 | 100-350 (1450-5000) | 62 (899) 150 (2200) |

Tamper resistant cap code ordering code 03.05.01.005
Mat. no. R930052041

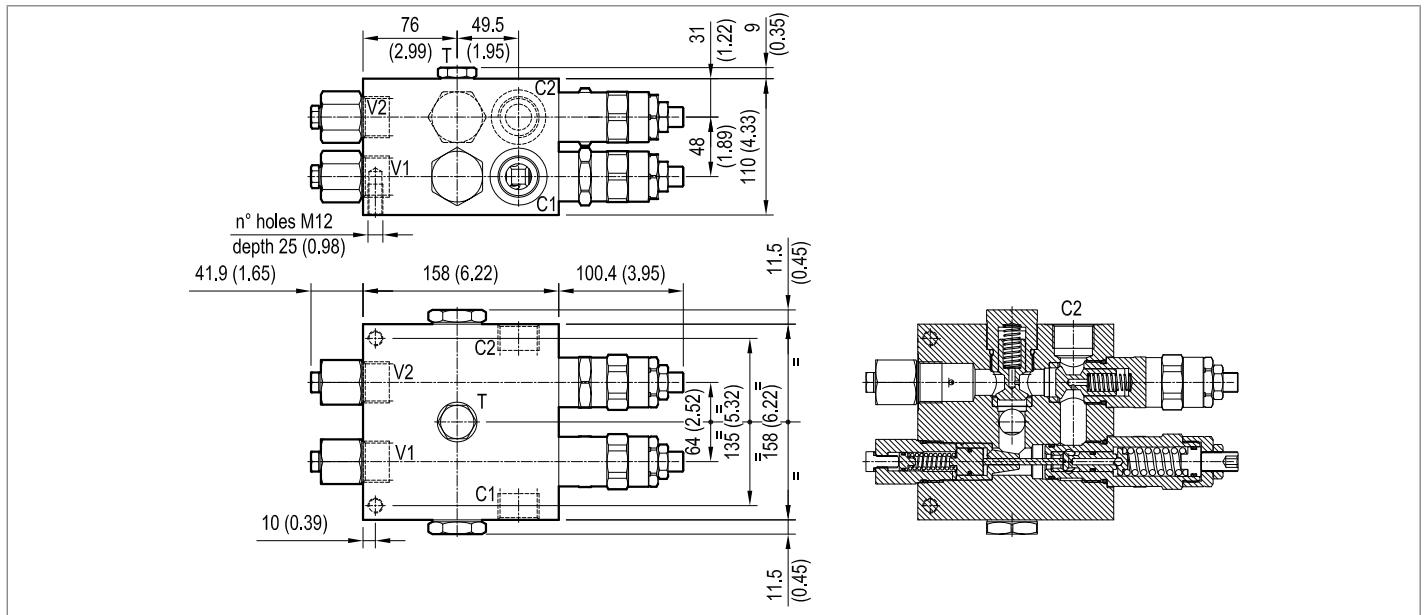


Preferred types

| Type | Material number |
|-----------------|-----------------|
| 05714403053500B | R930006908 |
| 05714410053500B | R930006903 |

| Type | Material number |
|------|-----------------|
| | |
| | |

Dimensions



Bosch Rexroth Oil Control S.p.A.

Via Leonardo da Vinci 5
P.O. Box no. 5
41015 Nonantola - Modena, Italy
Tel. +39 059 887 611
Fax +39 059 547 848
compact-hydraulics-pib@boschrexroth.com
www.boschrexroth.com/compacthydraulics

© This document, as well as the data, specifications and other information set forth in it, are the exclusive property of Bosch Rexroth Oil Control S.p.a.. It may not be reproduced or given to third parties without its consent. The data specified above only serve to describe the product. No statements concerning a certain condition or suitability for a certain application can be derived from our information. The information given does not release the user from the obligation of own judgment and verification. It must be remembered that our products are subject to a natural process of wear and aging. Subject to change.