

Automatic shut-off, pilot to close

Special cavity, 348

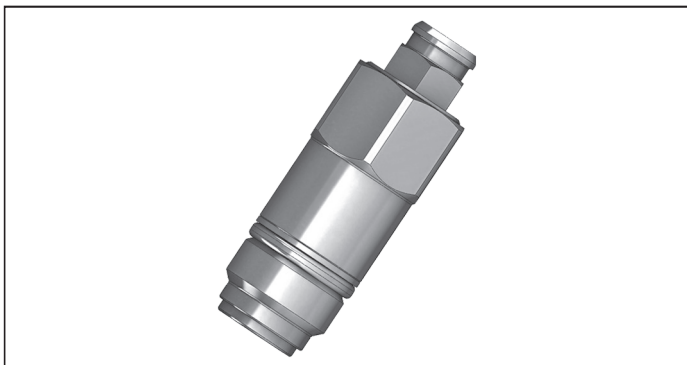
VEM-5-SA

04.98.06 - X - 99 - Z

**RE 18320-71**

Edition: 01.2019

Replaces: 05.2013



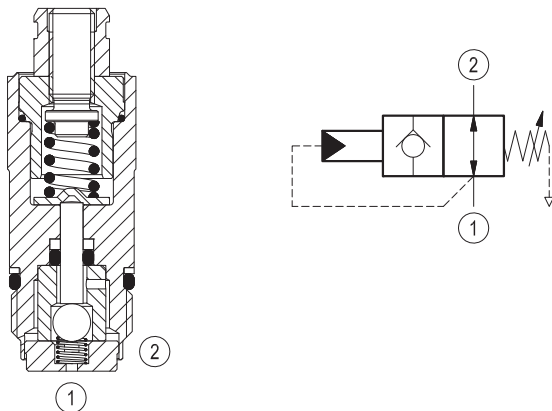
**Technical data**

Max. operating pressure	350 bar (5000 psi)
Max. flow	1 l/min. (0.26 gpm)
Max. internal leakage	5 drops/min.
Fluid temperature range	-30 to 100 °C (-22 to 212 °F)
Installation torque	20 - 23 Nm (15 - 17 ft-lbs)
Weight	0.06 kg (0.13 lbs)
Special cavity	348 (see data sheet 18325-75)
Lines bodies and standard assemblies	Please refer to section "Hydraulic integrated circuit" or consult factory
Seal kit <sup>1)</sup>	Code: RG0348010520100 material no: R930001669
Fluids	Mineral-based or synthetics with lubricating properties at viscosities of 5 to 500 mm <sup>2</sup> /s (cSt)
Recommended degree of fluid contamination	Nominal value max. 10µm (NAS 8) / ISO 4406 20/18/15
Installation position	No restrictions
Other Technical Data	See data sheet 18350-50

**Description**

Pilot flow is normally allowed bi-directionally between 1 and 2. When pressure at 1 rises above the selected pressure setting, the ball check seats and blocks flow from 1 to 2. The valve is intended to block undesirable pressure spikes in pilot control systems, particularly in counterbalance applications.

1) Only external seals for 10 valves



**Ordering code**

<b>04.98.06</b>	<b>X</b>	<b>99</b>	<b>Z</b>	<b>00</b>	<b>*</b>
-----------------	----------	-----------	----------	-----------	----------

Automatic shut-off, pilot to close

Adjustments

**03** Leakproof hex. socket screw

**99** Special cavity, 348

Series O/A to L  
unchanged performances and dimensions

Version and options standard

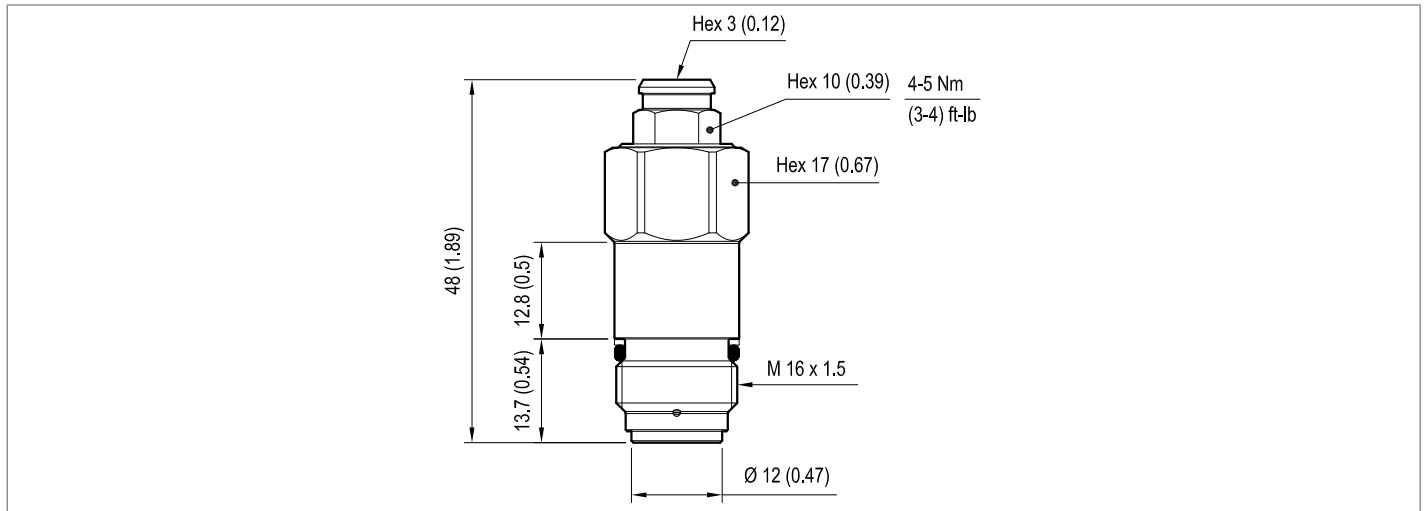
	SPRINGS		
	Adj. press. range bar (psi)	Pressure increase bar/turn (psi/turn)	Std. setting bar (psi)
<b>05</b>	15-35 (220-500)	16 (232)	20 (290)
<b>10</b>	20-70 (290-1000)	31 (450)	50 (725)
<b>20</b>	50-140 (725-2000)	66 (957)	100 (1450)

**Preferred types**

Type	Material number
049806039905000	R930006727
049806039910000	R930006728
049806039920000	R930006730

Type	Material number

**Dimensions**



**Bosch Rexroth Oil Control S.p.A.**

Via Leonardo da Vinci 5  
P.O. Box no. 5  
41015 Nonantola – Modena, Italy  
Tel. +39 059 887 611  
Fax +39 059 547 848  
compact-hydraulics-cv@boschrexroth.com  
www.boschrexroth.com/compacthydraulics

© This document, as well as the data, specifications and other information set forth in it, are the exclusive property of Bosch Rexroth Oil Control S.p.a.. It may not be reproduced or given to third parties without its consent. The data specified above only serve to describe the product. No statements concerning a certain condition or suitability for a certain application can be derived from our information. The information given does not release the user from the obligation of own judgment and verification. It must be remembered that our products are subject to a natural process of wear and aging. Subject to change.