

Pressure reducing and relieving,
direct acting spool damped type, fixed setting
Common cavity, Size 10

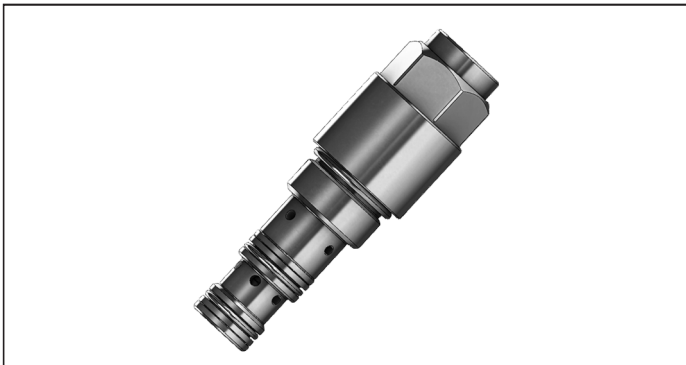
VRPR-10A-8

04.95.09.83.85 - Z

RE 18318-54

Edition: 03.2016

Replaces: 07.2012

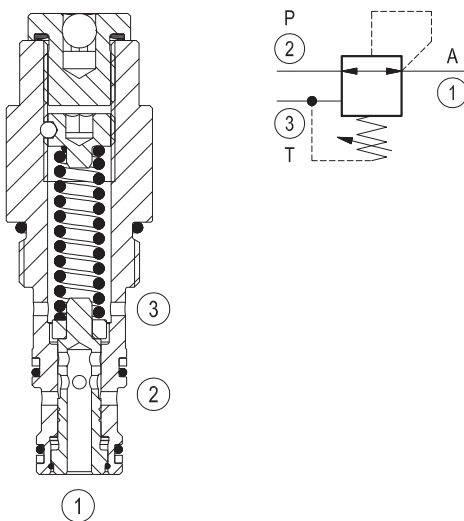


Technical data

Max. operating pressure port 2 (P)	350 bar (5000 psi)
Max. pressure admitted port 1 (A)	50 bar (725 psi)
Max. flow	20 l/min (5 gpm)
Max. internal leakage ¹⁾	130 cm ³ /min. (8 cu.in./min.)
Fluid temperature range	-30 to 100 °C (-22 to 212 °F)
Installation torque	41 - 47 Nm (30 - 35 ft-lbs)
Weight	0.3 kg (0.6 lbs)
Cavity	CA-10A-3N (see data sheet 18325-70)
Lines bodies and standard assemblies	Please refer to section "Hydraulic integrated circuit" or consult factory
Seal kit ²⁾	Code: RG10A3010520100 material no: R901111369
Fluids	Mineral-based or synthetics with lubricating properties at viscosities of 10 to 500 mm ² /s (cSt)
Recommended degree of fluid contamination	Nominal value max. 10µm (NAS 8) / ISO 4406 19/17/14
Installation position	No restrictions
Other Technical Data	See data sheet 18350-50

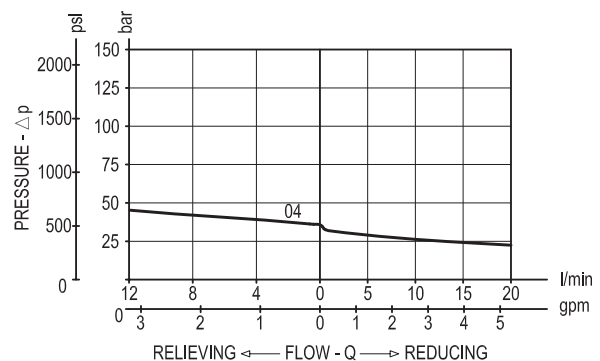
Description

Initially, flow passes freely from 2 to 1. When the pressure at 1 exceeds the pressure setting, the valve acts to restrict input flow at 2. This increases the pressure drop through the valve and maintains consistent pressure at 1. The spring chamber is drained at 3 to prevent a build-up of back-pressure against the spool. Additionally, if pressure at 1 rises above the pressure setting, flow is relieved to 3 until the setting is re-attained. Compared to VRPR-10A it allows a smoother dynamic and lower flow rate.



- 1) 1 - 3 to 80% of pressure setting
- 2) Only external seals for 10 valves

Characteristic curve



Ordering code

04.95.09.83	85	Z	00	*
--------------------	-----------	----------	-----------	----------

Pressure reducing and relieving, direct acting spool damped type, fixed setting

Series 0/A to L
unchanged performances and dimensions

Version and options standard

85 Common cavity, Size 10

SPRINGS	
Fixed setting bar (psi) (reduc. mode)	
04	35 (500)
06	60 (870)
10	90 (1305)

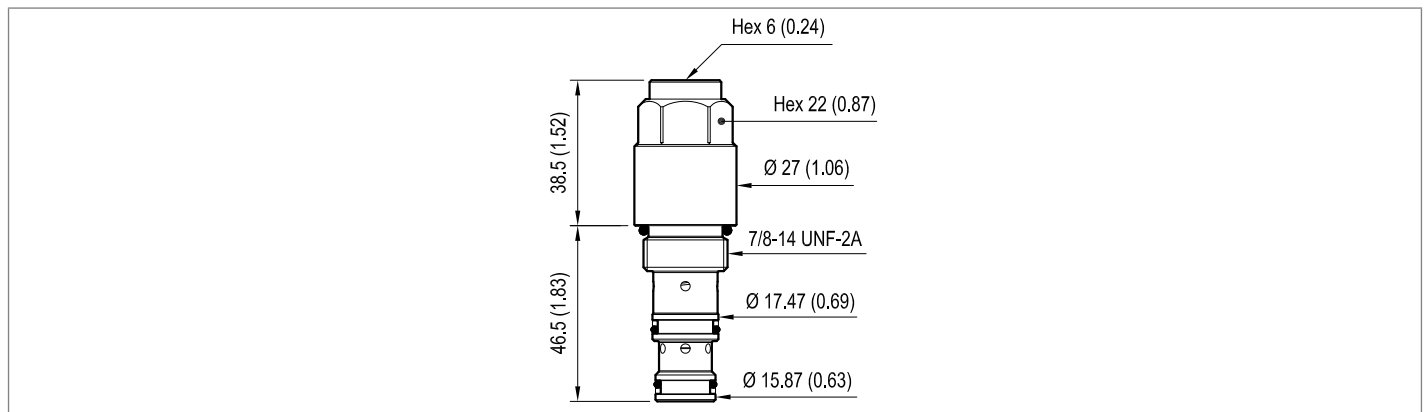
Further settings available on request

Preferred types

Type	Material number
04950983850400A	R930006738
04950983850600A	R930006739
04950983851000A	R930006740

Type	Material number

Dimensions



Bosch Rexroth Oil Control S.p.A.

Via Leonardo da Vinci 5
P.O. Box no. 5
41015 Nonantola – Modena, Italy
Tel. +39 059 887 611
Fax +39 059 547 848
compact-hydraulics-cv@boschrexroth.com
www.boschrexroth.com/compacthydraulics

© This document, as well as the data, specifications and other information set forth in it, are the exclusive property of Bosch Rexroth Oil Control S.p.a.. It may not be reproduced or given to third parties without its consent. The data specified above only serve to describe the product. No statements concerning a certain condition or suitability for a certain application can be derived from our information. The information given does not release the user from the obligation of own judgment and verification. It must be remembered that our products are subject to a natural process of wear and aging. Subject to change.