

Pressure reducing and relieving,
with pilot controlled setting
Common cavity, Size 10

VRPE-10A

04.95.07 - X - 85 - Z

RE 18318-58

Edition: 03.2016

Replaces: 01.2010

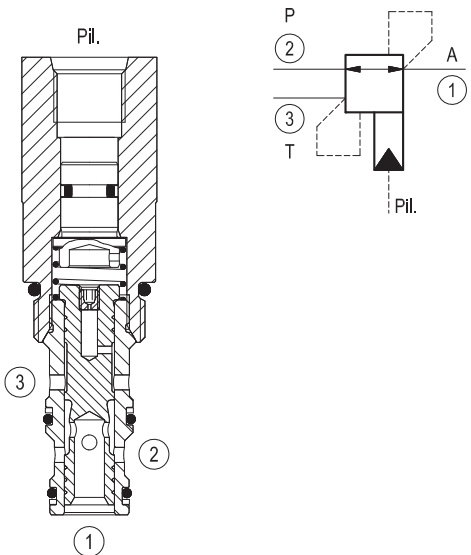


Description

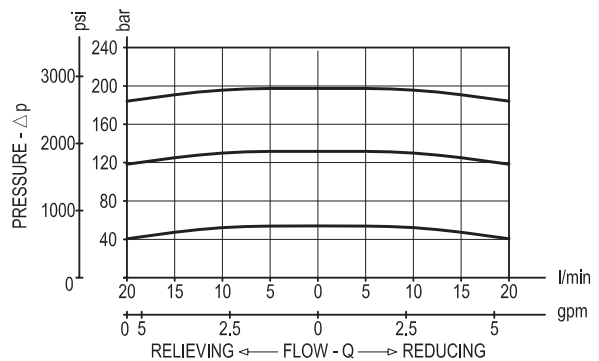
When a minimum pilot pressure is applied to port PIL, flow passes from 2 to 1. When the pressure at 1 exceeds the pressure setting (defined by pilot pressure times pilot ratio), the valve acts to restrict flow at 2. This increases the pressure drop through the valve and maintains consistent pressure at 1. Additionally, if pressure at 1 rises above the pressure setting, flow is relieved to 3 until the setting is re-attained.

Technical data	
Max. operating pressure	350 bar (5000 psi)
Max. pilot pressure	175 bar (2500 psi) for Z=02 and Z=03 250 bar (3600 psi) for Z=13
Max. flow	20 l/min (5 gpm)
Max. internal leakage ¹⁾	50 cm ³ /min. (3 cu.in./min.)
Fluid temperature range	-30 to 100 °C (-22 to 212 °F)
Installation torque	41 - 47 Nm (30 - 35 ft-lbs)
Weight	0.28 kg (0.62 lbs)
Cavity	CA-10A-3N (see data sheet 18325-70)
Lines bodies and standard assemblies	Please refer to section "Hydraulic integrated circuit" or consult factory
Seal kit ²⁾	Code: RG10A3010520100 material no: R901111369
Fluids	Mineral-based or synthetics with lubricating properties at viscosities of 10 to 500 mm ² /s (cSt)
Recommended degree of fluid contamination	Nominal value max. 10µm (NAS 8) / ISO 4406 19/17/14
Installation position	No restrictions
Other Technical Data	See data sheet 18350-50

- 1) 1 - 3 to 80% of pressure setting
- 2) Only external seals for 10 valves



Characteristic curve



Ordering code

04.95.07	X	85	Z	00	*
-----------------	----------	-----------	----------	-----------	----------

Pressure reducing and relieving, with pilot controlled setting

Pilot port

55 9/16-18 UNF-2B

85 Common cavity, Size 10

Series 0/A to L
unchanged performances and dimensions

Version and options standard

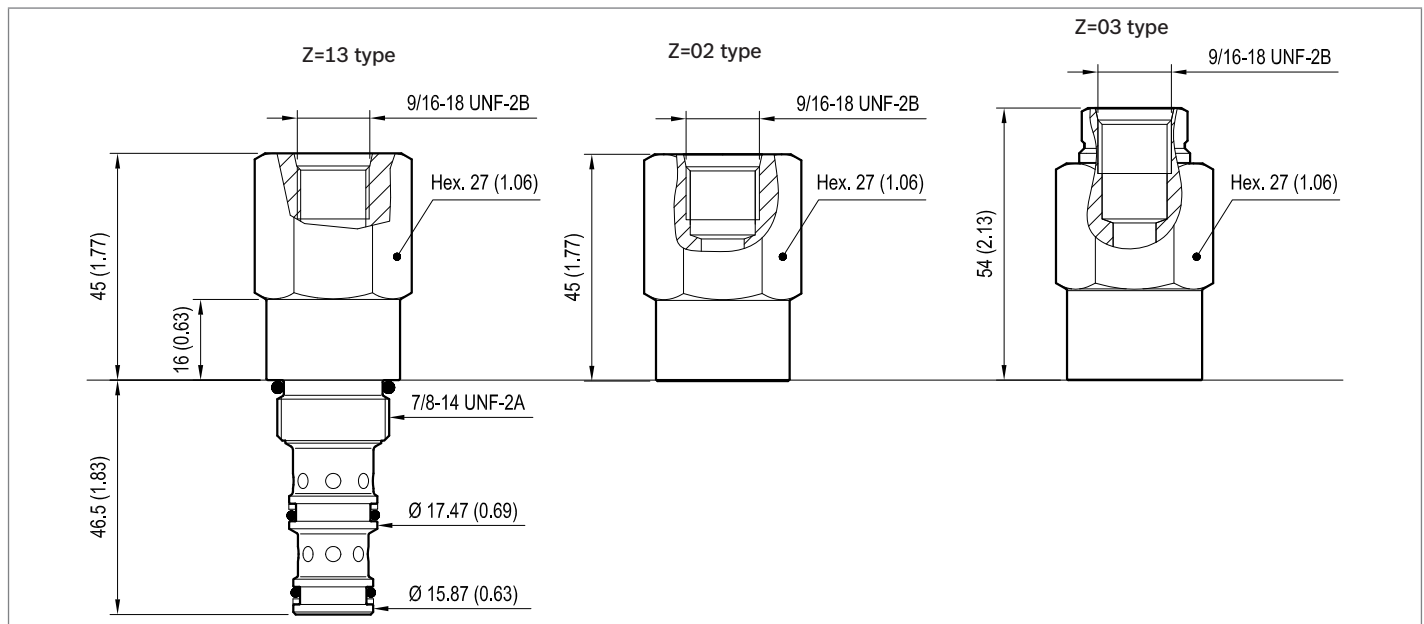
CONTROLLED SETTING VS. PILOT PRESSURE	
02	2 : 1
03	3 : 1
13	1.3 : 1

Preferred types

Type	Material number
049507558502000	R930001183
049507558503000	R930001184
049507558513000	R930001185

Type	Material number

Dimensions



Bosch Rexroth Oil Control S.p.A.

Via Leonardo da Vinci 5
P.O. Box no. 5
41015 Nonantola – Modena, Italy
Tel. +39 059 887 611
Fax +39 059 547 848
compact-hydraulics-cv@boschrexroth.com
www.boschrexroth.com/compacthydraulics

© This document, as well as the data, specifications and other information set forth in it, are the exclusive property of Bosch Rexroth Oil Control S.p.a.. It may not be reproduced or given to third parties without its consent. The data specified above only serve to describe the product. No statements concerning a certain condition or suitability for a certain application can be derived from our information. The information given does not release the user from the obligation of own judgment and verification. It must be remembered that our products are subject to a natural process of wear and aging. Subject to change.