

Directional hot oil, shuttle

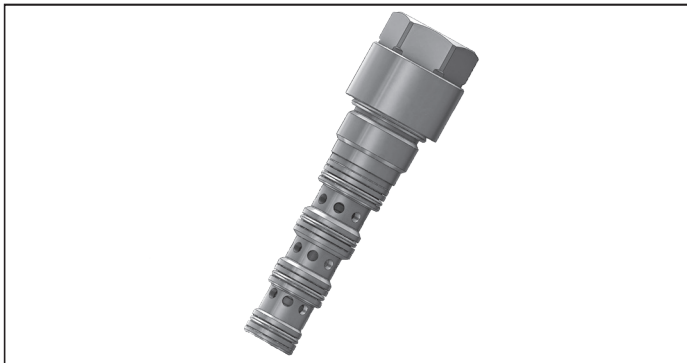
Special cavity, 1004

SELO-10M

04.94.10 - X - 99 - Z

RE 18320-95

Edition: 02.2016



Technical data

Max. operating pressure	380 bar (5510 psi)
Max. flow	40 l/min. (11 gpm)
Max. internal leakage ¹⁾	70 cm ³ /min. (4 cu.in./min.)
Fluid temperature range	-30 to 100 °C (-22 to 212 °F)
Installation torque	41 - 47 Nm (30 - 35 ft-lbs)
Weight	0.21 kg (0.46 lbs)
Special cavity	1004
Lines bodies and standard assemblies	Please refer to section "Hydraulic integrated circuit" or consult factory
Seal kit ²⁾	Code: RG1004010520100 material no: R930058605
Fluids	Mineral-based or synthetics with lubricating properties at viscosities of 5 to 800 mm ² /s (cSt)
Recommended degree of fluid contamination	Nominal value max. 10µm (NAS 8) / ISO 4406 19/17/14
Installation position	No restrictions
Other Technical Data	See data sheet 18350-50

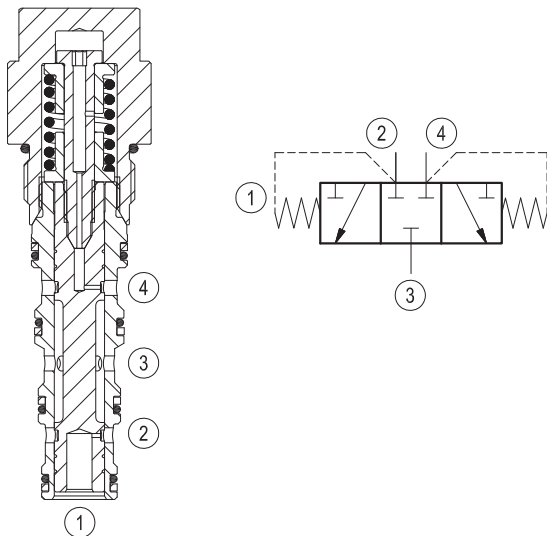
1) Measured at 200 bar (2900 psi)

2) Only external seals for 10 valves

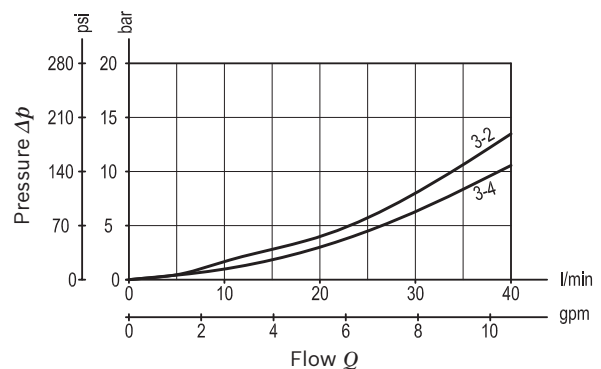
Description

Directional hot oil shuttle valves permit hot oil to be diverted from the low pressure side of a closed loop system. When ports 2 and 3 are at same pressure values, valve configuration is with all ports 2, 3 and 4 closed and the valve spool is centered by the spring. If pressure at port 2 (or port 4) is higher than port 4 (or 2), then port 4 (or 2) is connected to port 3. Port 1 is not used.

Application notes: directional hot oil shuttle valves are especially designed as flushing valves to remove heat from closed loop hydraulic circuits; generally hydraulic fluid is directed from the low pressure side into the motor housing then it is fed into the reservoir. The hydraulic fluid, removed out of the closed circuit must be replaced by cooled hydraulic fluid from the pump.



Characteristic curve



Ordering code

04.94.10	X	99	Z	00	*
-----------------	----------	-----------	----------	-----------	----------

Directional hot oil, shuttle

Adjustments

00 Fixed setting

99 Special cavity, 1004

Series 0/A to L
unchanged performances and dimensions

Version and options standard

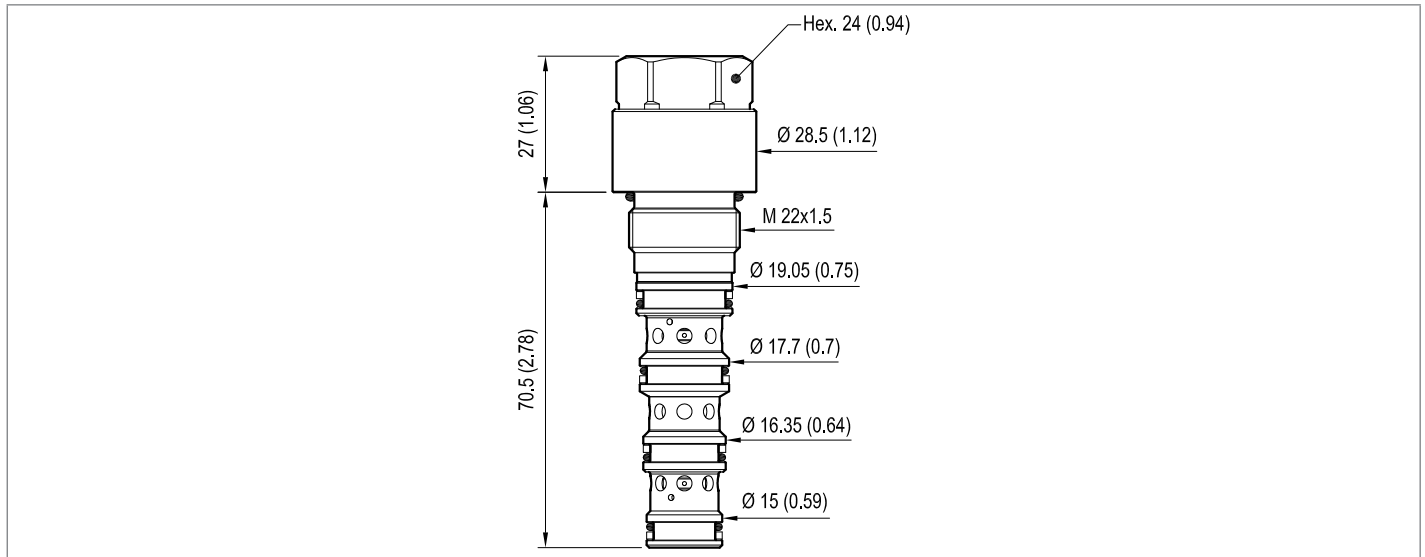
SPRINGS	
	Std. setting bar (psi)
18	18 (261)

Preferred types

Type	Material number
049410009918000	R930058604

Type	Material number

Dimensions



Bosch Rexroth Oil Control S.p.A.

Via Leonardo da Vinci 5
P.O. Box no. 5
41015 Nonantola – Modena, Italy
Tel. +39 059 887 611
Fax +39 059 547 848
compact-hydraulics-cv@boschrexroth.com
www.boschrexroth.com/compacthydraulics

© This document, as well as the data, specifications and other information set forth in it, are the exclusive property of Bosch Rexroth Oil Control S.p.a.. It may not be reproduced or given to third parties without its consent. The data specified above only serve to describe the product. No statements concerning a certain condition or suitability for a certain application can be derived from our information. The information given does not release the user from the obligation of own judgment and verification. It must be remembered that our products are subject to a natural process of wear and aging. Subject to change.