

Directional poppet type, shuttle

Special cavity, CA-04A-3Y

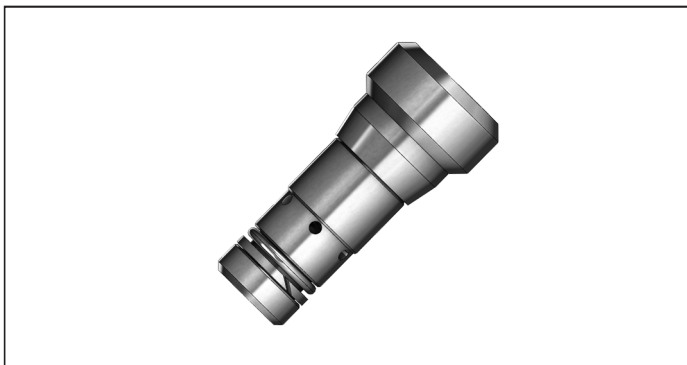
SELC-04A

04.94.07.00.54.00

RE 18319-82

Edition: 03.2016

Replaces: 09.2009



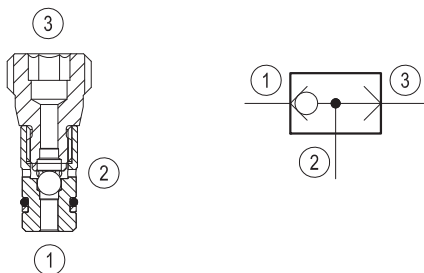
Description

The single ball shuttle allows flow from the higher pressure of two work ports 1 and 3 to the 2 port.

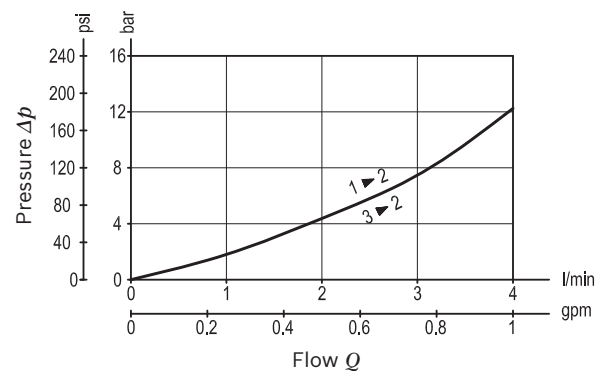
Technical data

Max. operating pressure	350 bar (5000 psi)
Max. flow	See performance graph
Max. internal leakage	5 drops/min.
Fluid temperature range	-30 to 100 °C (-22 to 212 °F)
Installation torque	10 Nm (7 ft-lbs)
Weight	0.01 kg (0.02 lbs)
Special cavity	CA-04A-3Y (see data sheet 18325-75)
Lines bodies and standard assemblies	Please refer to section "Hydraulic integrated circuit" or consult factory
Seal kit ¹⁾	Code: RG0939010520100 material no: R930001705
Fluids	Mineral-based or synthetics with lubricating properties at viscosities of 5 to 800 mm ² /s (cSt)
Recommended degree of fluid contamination	Nominal value max. 10µm (NAS 8) / ISO 4406 19/17/14
Installation position	No restrictions
Other Technical Data	See data sheet 18350-50

1) Only external seals for 10 valves



Characteristic curve



Ordering code

04.94.07.00	54	00	00	*
--------------------	-----------	-----------	-----------	----------

Directional poppet type, shuttle

Special cavity, CA-04A-3Y

Series 0/A to L
unchanged performances and dimensions

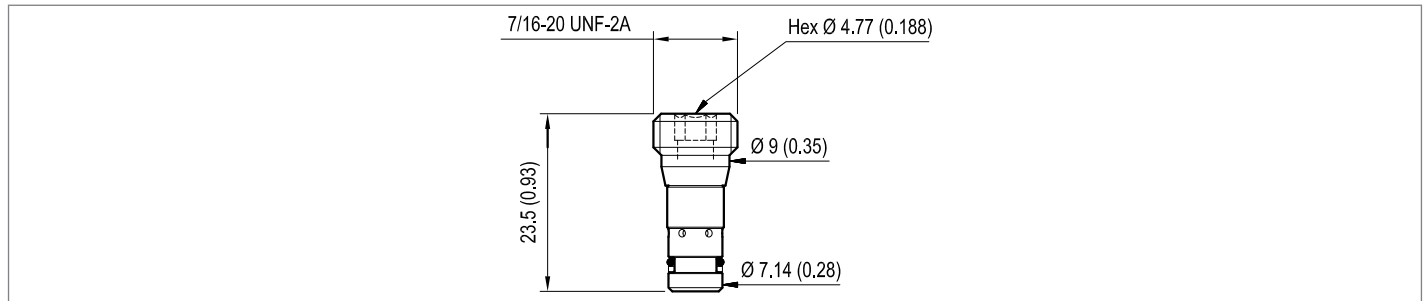
Version and options standard

Preferred types

Type	Material number
049407005400000	R930005663

Type	Material number

Dimensions



Bosch Rexroth Oil Control S.p.A.

Via Leonardo da Vinci 5
P.O. Box no. 5
41015 Nonantola – Modena, Italy
Tel. +39 059 887 611
Fax +39 059 547 848
compact-hydraulics-cv@boschrexroth.com
www.boschrexroth.com/compacthydraulics

© This document, as well as the data, specifications and other information set forth in it, are the exclusive property of Bosch Rexroth Oil Control S.p.a.. It may not be reproduced or given to third parties without its consent. The data specified above only serve to describe the product. No statements concerning a certain condition or suitability for a certain application can be derived from our information. The information given does not release the user from the obligation of own judgment and verification. It must be remembered that our products are subject to a natural process of wear and aging. Subject to change.