

# Pressure reducing, pilot operated spool type

## Common cavity, Size 12

VRPP-12A

04.93.08 - X - 57 - Z

**RE 18318-51**

Edition: 01.2019

Replaces: 11.2018

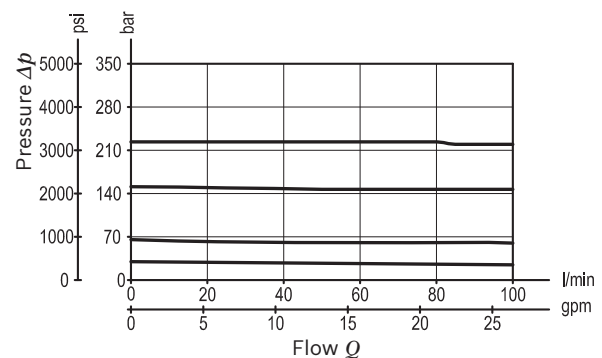


### Technical data

Max. operating pressure port 2 (P)	350 bar (5000 psi)
Max. pressure admitted port 1 (A)	280 bar (4000 psi)
Max. flow	100 l/min (26 gpm)
Standard internal pilot orifice diameter	0.6 mm
Fluid temperature range	-30 to 100 °C (-22 to 212 °F)
Installation torque	81 - 95 Nm (60 - 70 ft-lbs)
Weight	0.4 kg (0.88 lbs)
MTTFD	150 years see RE18350-51
Cavity	CA-12A-3N (see data sheet 18325-70)
Lines bodies and standard assemblies	Please refer to section "Hydraulic integrated circuit" or consult factory
Seal kit <sup>1)</sup>	Code: RG12A3010520100 material no: R930000941
Fluids	Mineral-based or synthetics with lubricating properties at viscosities of 10 to 500 mm <sup>2</sup> /s (cSt)
Recommended degree of fluid contamination	Nominal value max. 10µm (NAS 8) / ISO 4406 20/18/15
Installation position	No restrictions
Other Technical Data	See data sheet 18350-50

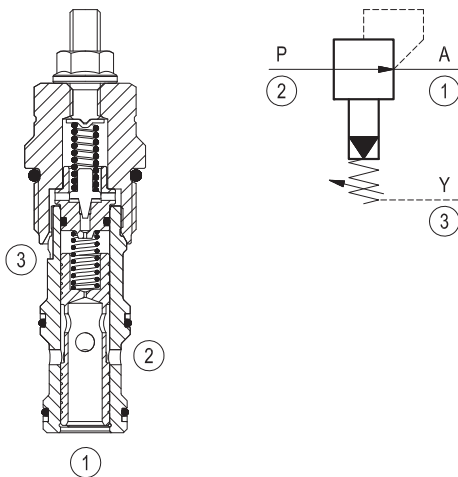
1) Only external seals for 10 valves

### Characteristic curve



### Description

Initially, flow passes freely from 2 to 1. When the pressure at 1 exceeds the pressure setting, the valve acts to restrict input flow at 2. This increases the pressure drop through the valve and maintains consistent pressure at 1. The spring chamber is drained at 3 to prevent a build-up of back-pressure against the spool.



**Ordering code**

<b>04.93.08</b>	<b>X</b>	<b>57</b>	<b>Z</b>	<b>00</b>	<b>*</b>
-----------------	----------	-----------	----------	-----------	----------

Pressure reducing,  
pilot operated spool type

Adjustments

**03** Leakproof hex. socket screw

**57** Common cavity, Size 12

Series 0/A to L  
unchanged performances and dimensions

Version and options standard

SPRINGS			
	Adj. press. range bar (psi)	Pressure increase bar/turn (psi/turn)	Std. setting bar (psi) (reduc mode)
<b>05</b>	20-60 (290-870)	32 (464)	50 (725)
<b>10</b>	35-140 (508-2000)	48 (696)	100 (1450)
<b>20</b>	70-280 (1000-4000)	88 (1276)	200 (2900)
<b>35</b>	140-350 (2000-5000)	140 (2030)	280 (4000)

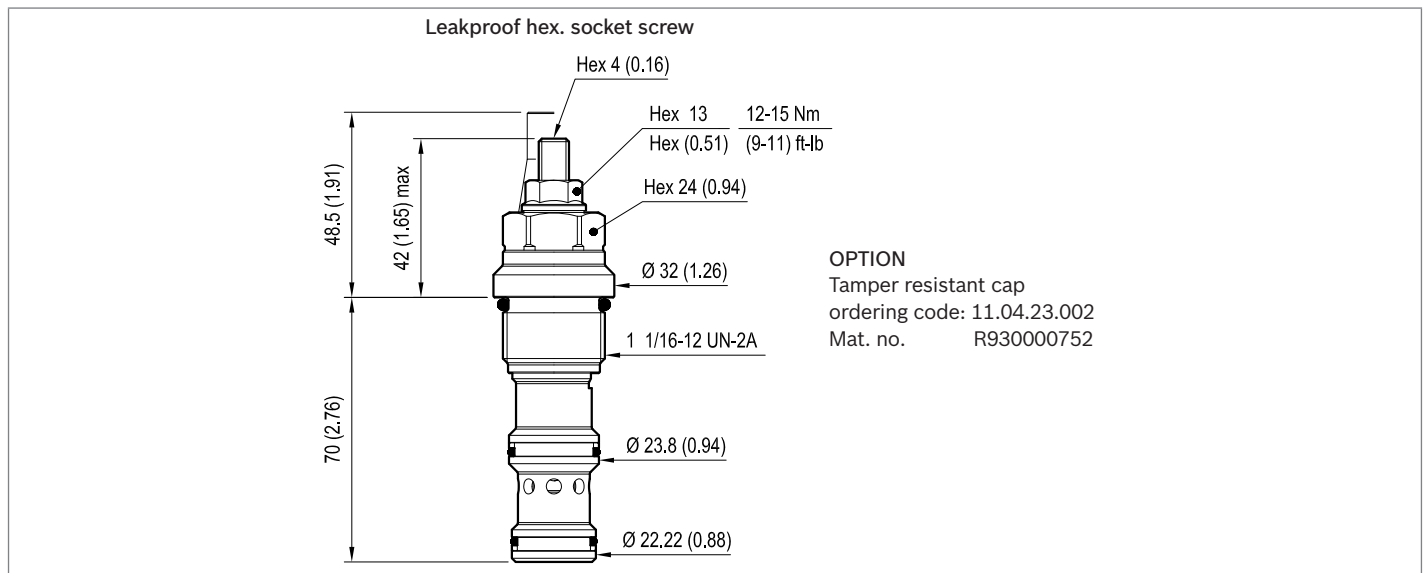
Note: Special settings available. Contact factory authorized representative for ordering code.

**Preferred types**

Type	Material number
049308035705000	R930069792
049308035710000	R901109737
049308035720000	R901109738

Type	Material number
049308035735000	R901109739

**Dimensions**



**Bosch Rexroth Oil Control S.p.A.**

Via Leonardo da Vinci 5  
P.O. Box no. 5  
41015 Nonantola – Modena, Italy  
Tel. +39 059 887 611  
Fax +39 059 547 848  
compact-hydraulics-cv@boschrexroth.com  
www.boschrexroth.com/compacthydraulics

© This document, as well as the data, specifications and other information set forth in it, are the exclusive property of Bosch Rexroth Oil Control S.p.a.. It may not be reproduced or given to third parties without its consent. The data specified above only serve to describe the product. No statements concerning a certain condition or suitability for a certain application can be derived from our information. The information given does not release the user from the obligation of own judgment and verification. It must be remembered that our products are subject to a natural process of wear and aging. Subject to change.