

Pressure reducing and relieving,
pilot operated spool type
Common cavity, Size 10

VRPX-10A

04.93.07 - X - 85 - Z

RE 18318-56

Edition: 03.2016

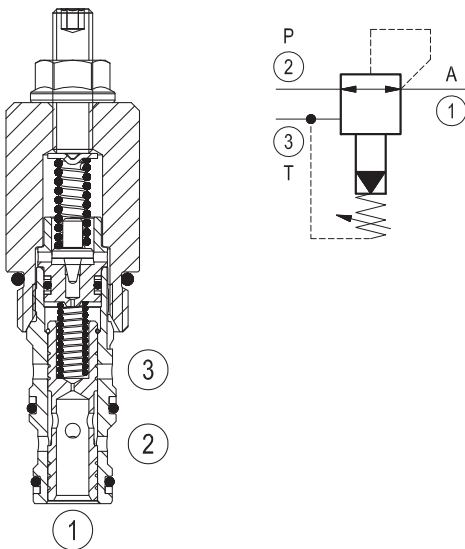
Replaces: 07.2012



Technical data	
Max. operating pressure port 2 (P)	350 bar (5000 psi)
Max. pressure admitted port 1 (A)	280 bar (4000 psi)
Max. flow	60 l/min (16 gpm)
Standard internal pilot orifice diameter	0.6 mm
Fluid temperature range	-30 to 100 °C (-22 to 212 °F)
Installation torque	41 - 47 Nm (30 - 35 ft-lbs)
Weight ¹⁾	0.2 kg (0.44 lbs)
Cavity	CA-10A-3N (see data sheet 18325-70)
Lines bodies and standard assemblies	Please refer to section "Hydraulic integrated circuit" or consult factory
Seal kit ²⁾	Code: RG10A3010520100 material no: R901111369
Fluids	Mineral-based or synthetics with lubricating properties at viscosities of 10 to 500 mm ² /s (cSt)
Recommended degree of fluid contamination	Nominal value max. 10µm (NAS 8) / ISO 4406 19/17/14
Installation position	No restrictions
Other Technical Data	See data sheet 18350-50

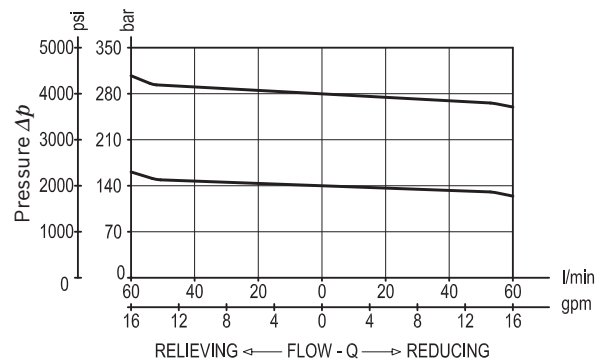
Description

Initially, flow passes freely from 2 to 1. When the pressure at 1 exceeds the pressure setting, the conical poppet in the upper, pilot stage is lifted from its seat. This allows the main-stage piston to shift, restricting input flow at 2. This increases the pressure drop through the valve and maintains consistent pressure at 1. The spring chamber is drained at 3 to prevent a build-up of back-pressure against the spool. Additionally, if pressure at 1 rises above the pressure setting, flow is relieved to 3 until the setting is re-attained.



- 1) Standard version X=03 type
- 2) Only external seals for 10 valves

Characteristic curve



Ordering code

04.93.07	X	85	Z	00	*
-----------------	----------	-----------	----------	-----------	----------

Pressure reducing and relieving, pilot operated spool type

Series 0/A to L unchanged performances and dimensions

Version and options standard

Adjustments

03 Leakproof hex. socket screw

04 Handknob and locknut

85 Common cavity, Size 10

SPRINGS

		Adj. press. range bar (psi)	Pressure increase bar/turn (psi/turn)	Std. setting bar (psi) (reduc mode)
for X= 03	05	25-100 (360-1450)	31 (450)	50 (725)
	10	35-140 (500-2000)	48 (696)	100 (1450)
	20	70-280 (1000-4000)	88 (1276)	200 (2900)
for X= 04	35	35-350 (500-5000)	68 (986)	350 (5000)

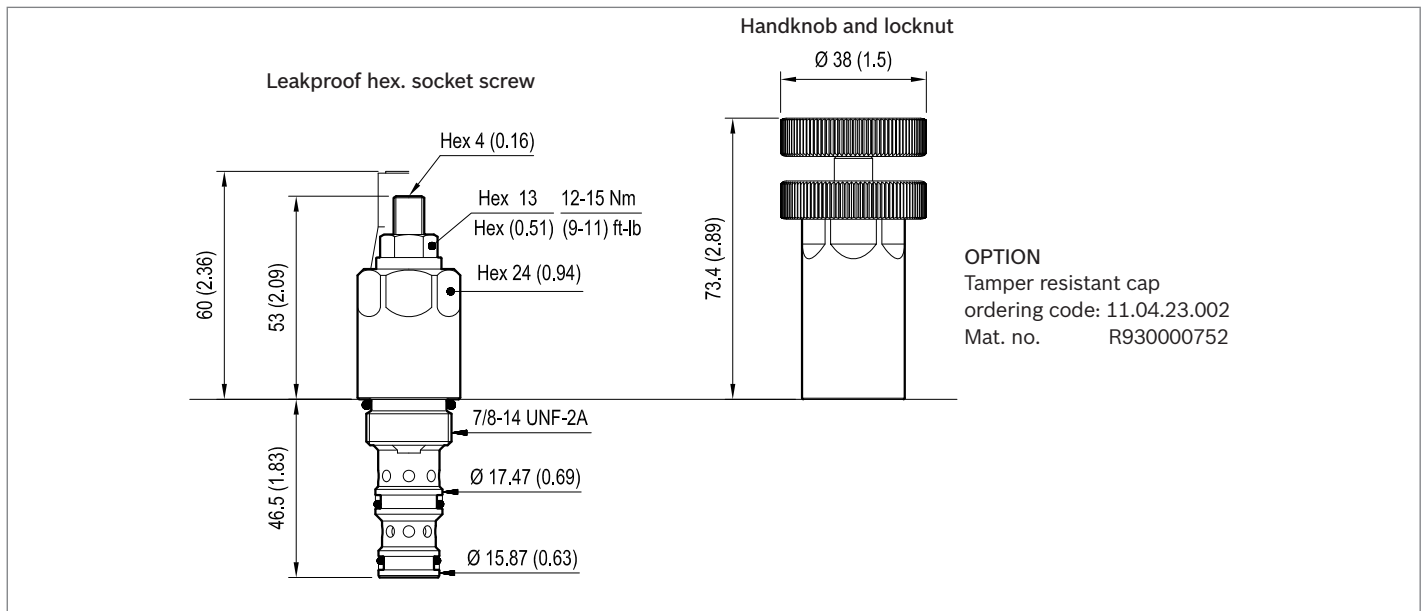
Note: Special settings available. Contact factory authorized representative for ordering code.

Preferred types

Type	Material number
049307038505000	R930006982
049307038510000	R901104118
049307038520000	R901106468
049307048535000	R930005596

Type	Material number

Dimensions



Bosch Rexroth Oil Control S.p.A.

Via Leonardo da Vinci 5
 P.O. Box no. 5
 41015 Nonantola – Modena, Italy
 Tel. +39 059 887 611
 Fax +39 059 547 848
 compact-hydraulics-cv@boschrexroth.com
 www.boschrexroth.com/compacthydraulics

© This document, as well as the data, specifications and other information set forth in it, are the exclusive property of Bosch Rexroth Oil Control S.p.a.. It may not be reproduced or given to third parties without its consent. The data specified above only serve to describe the product. No statements concerning a certain condition or suitability for a certain application can be derived from our information. The information given does not release the user from the obligation of own judgment and verification. It must be remembered that our products are subject to a natural process of wear and aging. Subject to change.