

Logic element, pressure control
with internal pilot
Common cavity, Size 16

VLSR-16A

04.84.04 - X - 27 - Z

RE 18321-74

Edition: 03.2016

Replaces: 01.2010



Description

When pressure at 1 rises above the selected spring bias pressure against the spool, the valve shifts to allow block flow from 2 to 1. The differential pressure between 1 and 3, across an internal orifice, is additive to the spring bias pressure. Note that flow, restricted by the internal orifice, can be transmitted from 3 to 1 and 2. The valve may be used in switching or compensation type applications.

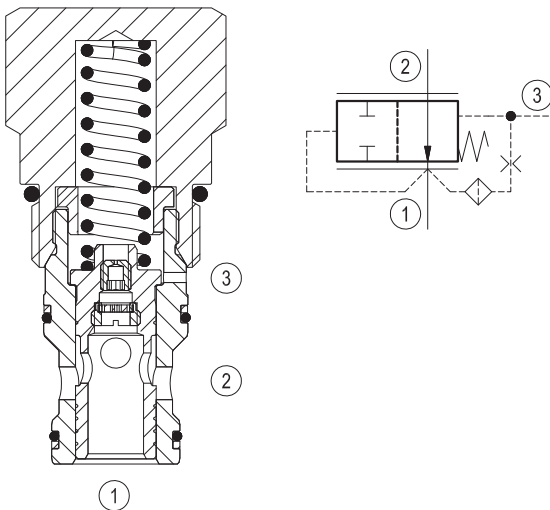
Technical data

Max. operating pressure	350 bar (5000 psi)
Max. Flow	120 l/min (32 gpm)
Max. internal leakage ¹⁾	200 cm ³ /min. (12 cu.in./min.)
Fluid temperature range	-30 to 100 °C (-22 to 212 °F)
Installation torque	108 - 122 Nm (80 - 90 ft-lbs)
Weight ²⁾	0.5 kg (1.1 lbs)
Standard internal orifice	0.6 mm
Cavity	CA-16A-3C (see data sheet 18325-70)
Lines bodies and standard assemblies	Please refer to section "Hydraulic integrated circuit" or consult factory
Seal kit ³⁾	Code: RG16A9010520100 material no: R901111388
Fluids	Mineral-based or synthetics with lubricating properties at viscosities of 10 to 500 mm ² /s (cSt)
Recommended degree of fluid contamination	Nominal value max. 10µm (NAS 8) / ISO 4406 19/17/14
Installation position	No restrictions
Other Technical Data	See data sheet 18350-50

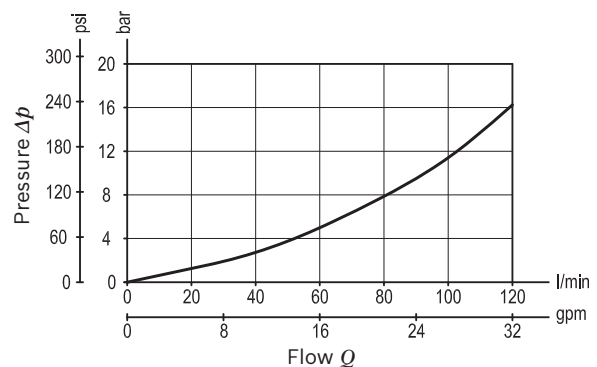
1) Measured at 200 bar (2900 psi)

2) Standard version X=00 type

3) Only external seals for 10 valves



Characteristic curve



Ordering code

04.84.04	X	27	Z	00	*
-----------------	----------	-----------	----------	-----------	----------

Logic element, pressure control with interal pilot

Series 0/A to L unchanged performances and dimensions

Version and options standard

Adjustments

00 Fixed setting

03 Leakproof hex. socket screw

27 Common cavity, Size 16

SPRINGS

		Std. setting bar (psi)	Pressure increase bar/turn (psi/turn)	Bias spring bar (psi)
for X= 00	04	-	-	4 (60) ± 20%
	08	-	-	8 (115) ± 15%
	12	-	-	12 (175) ± 15%
for X= 03	00	4 (60)	1.5 (22)	4-12 (60-175)

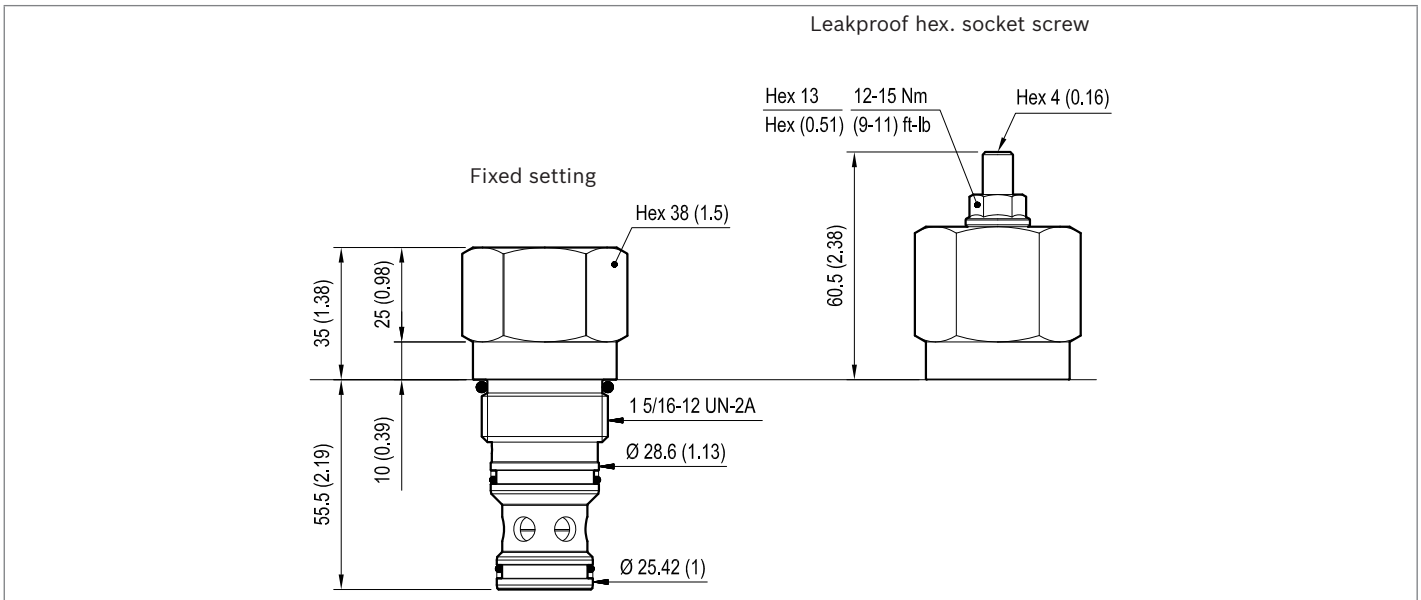
Note: Special settings available. Contact factory authorized representative for ordering code.

Preferred types

Type	Material number
048404002704000	R930002688
048404002708000	R930002691
048404002712000	R930002692
048404032700000	R930002784

Type	Material number

Dimensions



Bosch Rexroth Oil Control S.p.A.

Via Leonardo da Vinci 5
 P.O. Box no. 5
 41015 Nonantola – Modena, Italy
 Tel. +39 059 887 611
 Fax +39 059 547 848
 compact-hydraulics-cv@boschrexroth.com
 www.boschrexroth.com/compacthydraulics

© This document, as well as the data, specifications and other information set forth in it, are the exclusive property of Bosch Rexroth Oil Control S.p.a.. It may not be reproduced or given to third parties without its consent. The data specified above only serve to describe the product. No statements concerning a certain condition or suitability for a certain application can be derived from our information. The information given does not release the user from the obligation of own judgment and verification. It must be remembered that our products are subject to a natural process of wear and aging. Subject to change.