

Directional spool type,  
piloted, 4-way  
Special cavity, CA-20B-6C

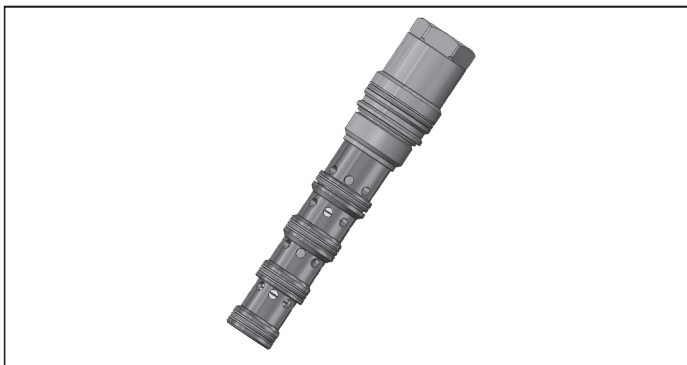
VDSP-20B

04.77.35 - X - 93 - Z

**RE 18320-89**

Edition: 03.2016

Replaces: 07.2010

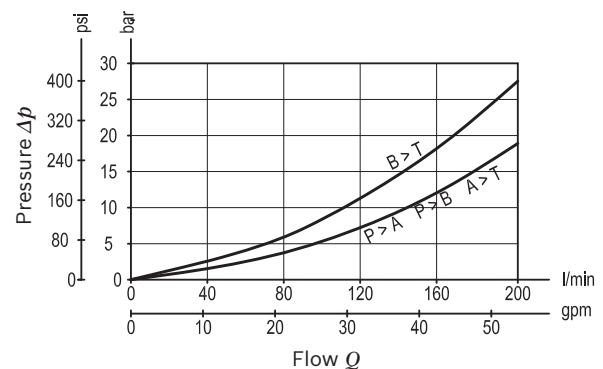


**Technical data**

Max. operating pressure	350 bar (5000 psi)
Max. pressure admitted ports X1 and X2	210 bar (3000 psi)
Max. flow	200 l/min. (53 gpm)
Max. internal leakage <sup>1)</sup>	10 cm <sup>3</sup> /min. (0.6 cu.in./min.)
Pilot displacement volume	3.5 cm <sup>3</sup> (0.2 cu.in.)
Fluid temperature range	-30 to 100 °C (-22 to 212 °F)
Installation torque	125 - 155 Nm (92 - 114 ft-lbs)
Weight	1.4 kg (3.1 lbs)
Special cavity	CA-20B-6C
Lines bodies and standard assemblies	Please refer to section "Hydraulic integrated circuit" or consult factory
Seal kit <sup>2)</sup>	Code: RG20B6010530100 material no: R930001706
Fluids	Mineral-based or synthetics with lubricating properties at viscosities of 10 to 500 mm <sup>2</sup> /s (cSt)
Recommended degree of fluid contamination	Nominal value max. 10µm (NAS 8) / ISO 4406 19/17/14
Installation position	No restrictions
Other Technical Data	See data sheet 18350-50

- 1) Measured at 300 bar (4500 psi) from A-B to P-T-X1-X2
- 2) Only external seals for 10 valves

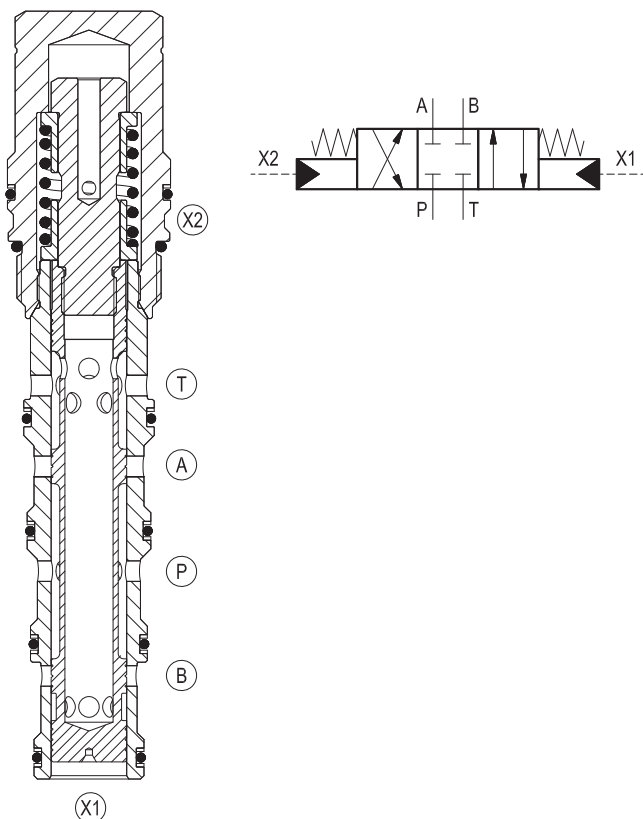
**Characteristic curve**



**Description**

In neutral position, all ports A, B, P, and T are blocked.

When remote pilot signal at port X1 rises to overcome the spring bias against the spool, the valve shifts to allow flow between P and A, and between T and B. When remote pilot signal at port X2 rises to overcome the spring bias against the spool, the valve shifts to allow flow between P and B, and between A and T.



**Ordering code**

<b>04.77.35</b>	<b>X</b>	<b>93</b>	<b>Z</b>	<b>00</b>	<b>*</b>
-----------------	----------	-----------	----------	-----------	----------

Directional spool type, piloted, 4-way

Adjustments

**00** Fixed setting

**93** Special cavity, CA-20B-6C

Series O/A to L  
unchanged performances and dimensions

Version and options standard

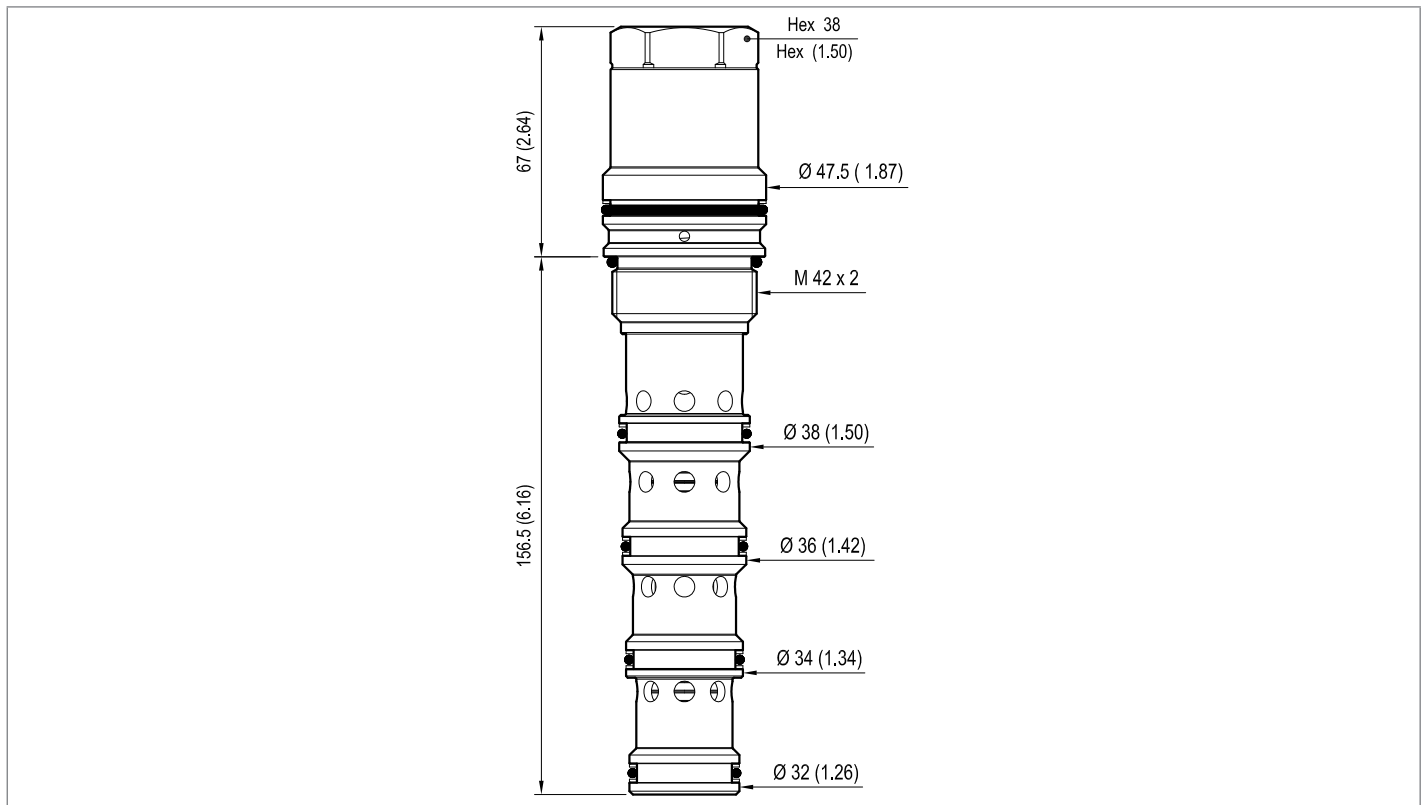
SPRINGS	
	Std. setting bar (psi)
<b>05</b>	7 (100) ± 15%

**Preferred types**

Type	Material number
04773500930500A	R930000370

Type	Material number
------	-----------------

**Dimensions**



**Bosch Rexroth Oil Control S.p.A.**

Via Leonardo da Vinci 5  
P.O. Box no. 5  
41015 Nonantola – Modena, Italy  
Tel. +39 059 887 611  
Fax +39 059 547 848  
compact-hydraulics-cv@boschrexroth.com  
www.boschrexroth.com/compacthydraulics

© This document, as well as the data, specifications and other information set forth in it, are the exclusive property of Bosch Rexroth Oil Control S.p.a.. It may not be reproduced or given to third parties without its consent. The data specified above only serve to describe the product. No statements concerning a certain condition or suitability for a certain application can be derived from our information. The information given does not release the user from the obligation of own judgment and verification. It must be remembered that our products are subject to a natural process of wear and aging. Subject to change.