

Directional spool type, direct acting,
external pilot internal drain
Common cavity, Size 16

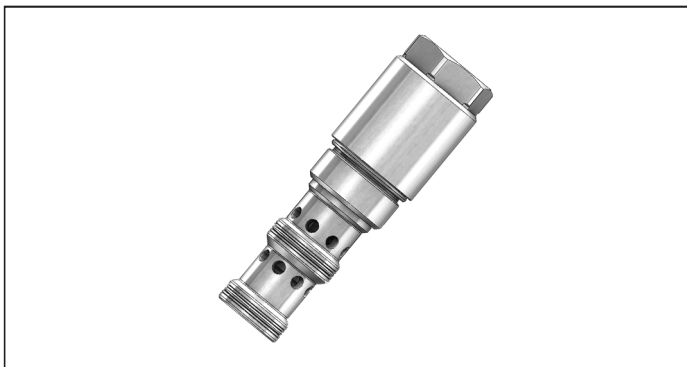
VDSB-16A

04.77.33 - X - 27 - Z

RE 18320-93

Edition: 03.2016

Replaces: 05.2010



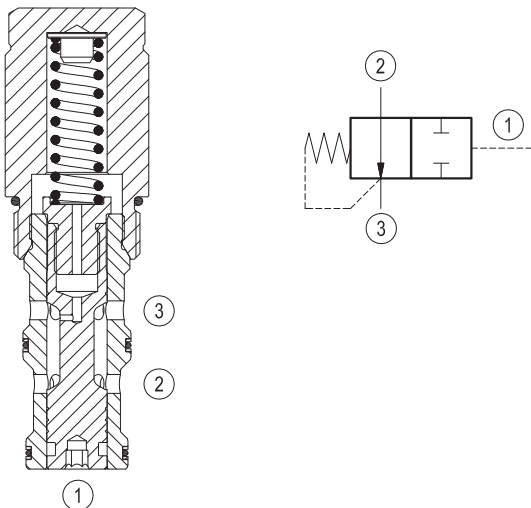
Technical data

Max. operating pressure	350 bar (5000 psi)
Max. flow	160 l/min. (43 gpm)
Max. internal leakage ¹⁾	100 cm ³ /min. (6 cu.in./min.)
Pilot displacement volume	1.2 cm ³ (0.05 cu.in)
Fluid temperature range	-30 to 100 °C (-22 to 212 °F)
Installation torque	108 - 122 Nm (80 - 90 ft-lbs)
Weight	0.6 kg (1.32 lbs)
Cavity	CA-16A-3N (see data sheet 18325-70)
Lines bodies and standard assemblies	Please refer to section "Hydraulic integrated circuit" or consult factory
Seal kit ²⁾	Code: RG16A3010530100 material no: R930001178
Fluids	Mineral-based or synthetics with lubricating properties at viscosities of 10 to 500 mm ² /s (cSt)
Recommended degree of fluid contamination	Nominal value max. 10µm (NAS 8) / ISO 4406 19/17/14
Installation position	No restrictions
Other Technical Data	See data sheet 18350-50

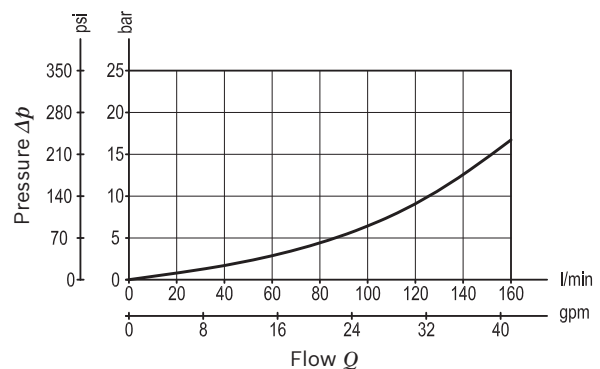
- 1) Measured at 210 bar (3000 psi)
2) Only external seals for 10 valves

Description

Flow is allowed from 2 to 3 until pressure at 1 rises to overcome the spring bias against the spool. When this bias pressure is surpassed, the spool shifts, blocking flow at both 2 and 3. The spring chamber is drained to 3, thus any pressure at 3 is additive to the spring setting.



Characteristic curve



Ordering code

04.77.33	X	27	Z	00	*
-----------------	----------	-----------	----------	-----------	----------

Directional spool type, direct acting
external pilot internal drain

Series 0/A to L
unchanged performances and dimensions

Version and options standard

O-Ring on pilot piston

00 No O-Ring

10 With O-Ring

SPRINGS	
Std. setting bar (psi)	
05	5.5 (80) ± 20%
11	11 (160) ± 10%

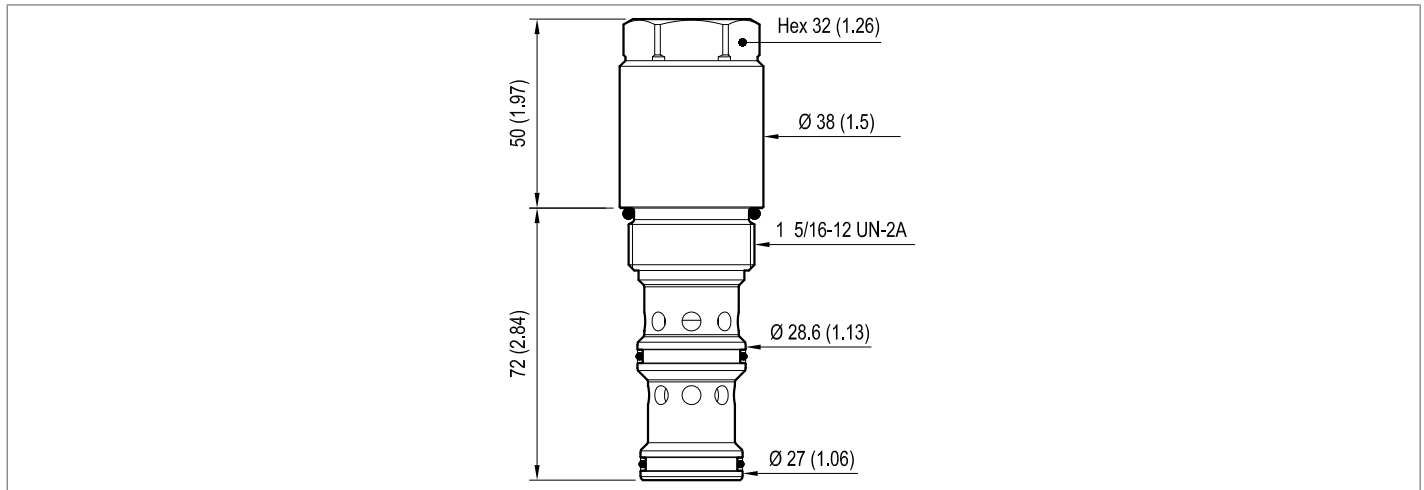
27 Common cavity, Size 16

Preferred types

Type	Material number
047733002705000	R930001165
047733002711000	R930001167
047733102705000	R930001173
047733102711000	R930001175

Type	Material number

Dimensions



Bosch Rexroth Oil Control S.p.A.

Via Leonardo da Vinci 5
P.O. Box no. 5
41015 Nonantola – Modena, Italy
Tel. +39 059 887 611
Fax +39 059 547 848
compact-hydraulics-cv@boschrexroth.com
www.boschrexroth.com/compacthydraulics

© This document, as well as the data, specifications and other information set forth in it, are the exclusive property of Bosch Rexroth Oil Control S.p.a.. It may not be reproduced or given to third parties without its consent. The data specified above only serve to describe the product. No statements concerning a certain condition or suitability for a certain application can be derived from our information. The information given does not release the user from the obligation of own judgment and verification. It must be remembered that our products are subject to a natural process of wear and aging. Subject to change.