

Directional spool type, direct acting,
external pilot internal drain
Common cavity, Size 10

VDSB-10A-6

04.77.23 - X - 85 - Z

RE 18320-74

Edition: 03.2016

Replaces: 10.2009



Description

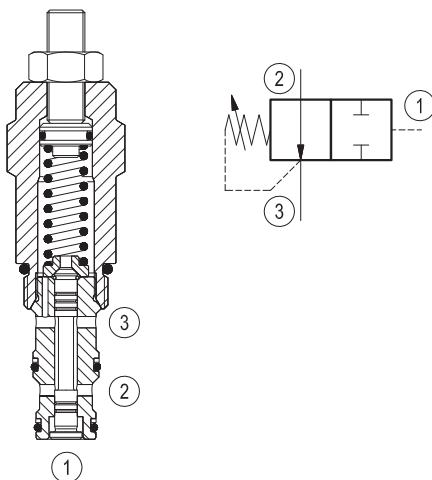
Flow is allowed from 2 to 3 until the pressure at 1 rises to the selected spring setting. Upon reaching this pressure, the spool shifts upward, blocking flow until pressure at 1 drops below the set point. The spring chamber is drained to 3, thus any pressure at 3 is additive to the spring setting. VDSB-10A-6 is especially designed for application requiring high value of shifting pressure.

Technical data

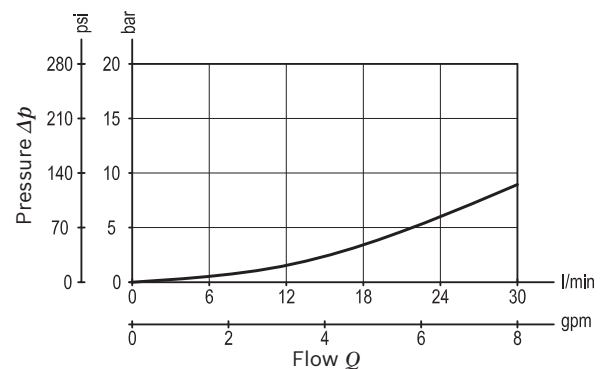
Max. operating pressure	350 bar (5000 psi)
Max. flow	30 l/min. (8 gpm)
Max. internal leakage ¹⁾	10 cm ³ /min. (0.6 cu.in./min.)
Fluid temperature range	-30 to 100 °C (-22 to 212 °F)
Installation torque	41 - 47 Nm (30 - 35 ft-lbs)
Weight	0.27 kg (0.6 lbs)
Cavity	CA-10A-3N (see data sheet 18325-70)
Lines bodies and standard assemblies	Please refer to section "Hydraulic integrated circuit" or consult factory
Seal kit ²⁾	Code: RG10A3010520100 material no: R901111369
Fluids	Mineral-based or synthetics with lubricating properties at viscosities of 10 to 500 mm ² /s (cSt)
Recommended degree of fluid contamination	Nominal value max. 10µm (NAS 8) / ISO 4406 19/17/14
Installation position	No restrictions
Other Technical Data	See data sheet 18350-50

1) Measured at 200 bar (2900 psi)

2) Only external seals for 10 valves



Characteristic curve



Ordering code

04.77.23	X	85	Z	00	*
-----------------	----------	-----------	----------	-----------	----------

Directional spool type, direct acting
external pilot internal drain

Adjustments

03 Leakproof hex. socket screw

85 Common cavity, Size 10

Series 0/A to L
unchanged performances and dimensions

Version and options standard

SPRINGS			
	Adj. press. range bar (psi)	Pressure increase bar/turn (psi/turn)	Std. setting bar (psi)
05	10-70 (145-1000)	8 (116)	40 (580)
10	35-140 (500-2000)	20 (290)	90 (1300)
20	70-210 (1000-3000)	39 (566)	140 (2000)

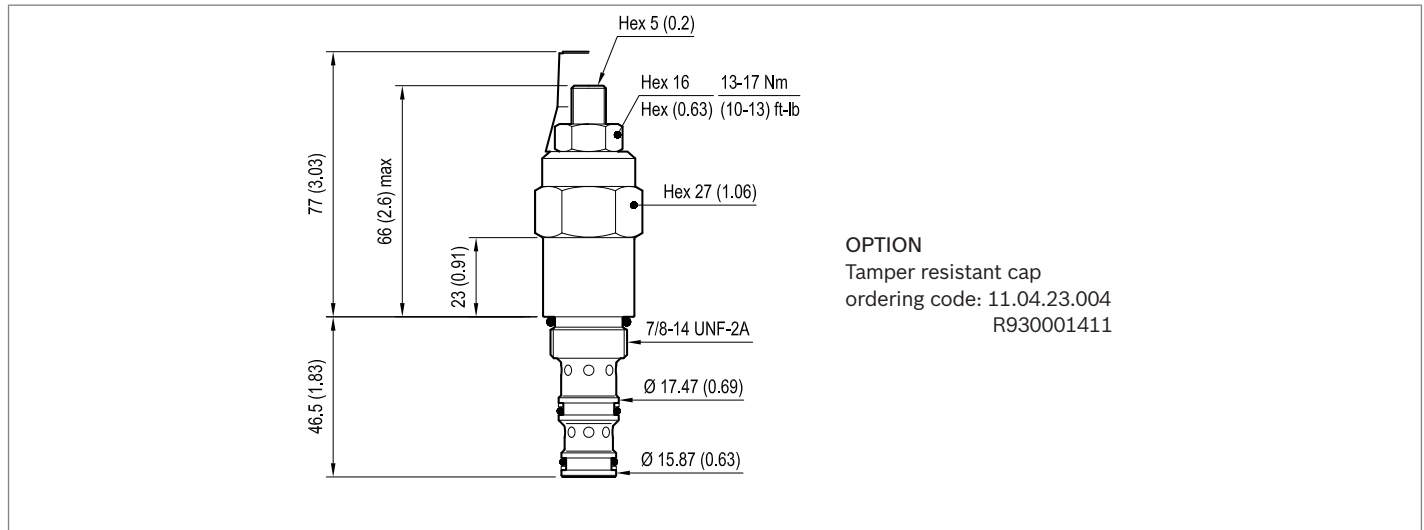
Note: Special settings available. Contact factory authorized representative for ordering code.

Preferred types

Type	Material number
047723038505000	R901109479
047723038510000	R901109481
047723038520000	R901109482

Type	Material number

Dimensions



Bosch Rexroth Oil Control S.p.A.

Via Leonardo da Vinci 5
 P.O. Box no. 5
 41015 Nonantola – Modena, Italy
 Tel. +39 059 887 611
 Fax +39 059 547 848
 compact-hydraulics-cv@boschrexroth.com
 www.boschrexroth.com/compacthydraulics

© This document, as well as the data, specifications and other information set forth in it, are the exclusive property of Bosch Rexroth Oil Control S.p.a.. It may not be reproduced or given to third parties without its consent. The data specified above only serve to describe the product. No statements concerning a certain condition or suitability for a certain application can be derived from our information. The information given does not release the user from the obligation of own judgment and verification. It must be remembered that our products are subject to a natural process of wear and aging. Subject to change.