

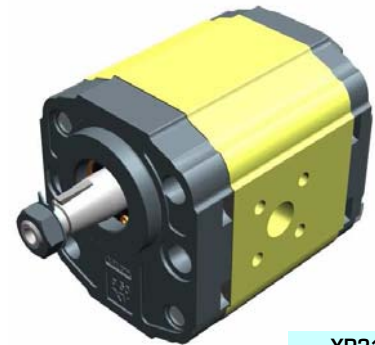
unidirectional pump - series XV

XV-2P

"BH" TYPE PUMP
 ø50 BODY-SHAPED FLANGE - TAPER SHAFT

X 2 P 51 12 F S R A

Series	X	series XV
Group	2	group 2
Category	P	unidirectional pump
Displacement	51	17
Flange	12	Ø50 BH GERMAN STANDARDIZED right rotation
Shaft	F	CO002 - Tapered 1:5 - ø17.4 - M12x1.5 - key thk.3
Body	IN	inlet - Ø40 a 45° Ø20 M6
	OUT	outlet - Ø35 a 45° Ø15 M6
Cover	A	standard



XP210

Technical data table

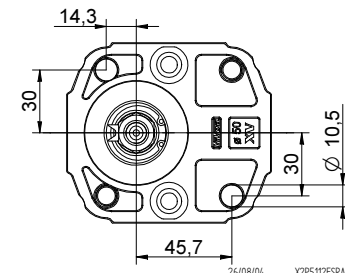
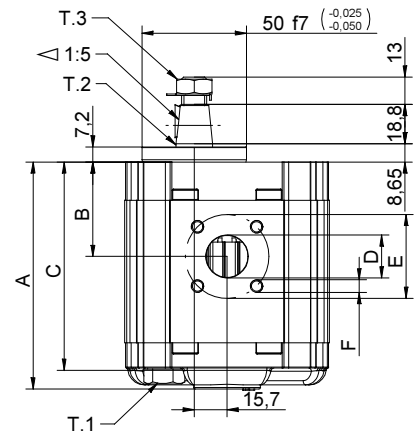
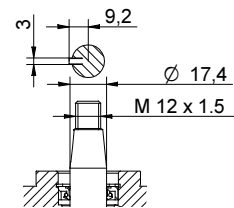
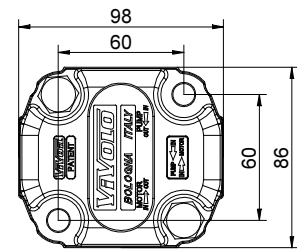
TYPE	Displacement cm3/rev	Max. Pressure		CODE	
		P1 bar	P3 bar	Left rotation	Right rotation
XV-2P/04	4,20	260	300	X 2 P 41 11 F S R A	X 2 P 41 12 F S R A
XV-2P/06	6,00	260	300	X 2 P 43 11 F S R A	X 2 P 43 12 F S R A
XV-2P/09	8,40	260	300	X 2 P 45 11 F S R A	X 2 P 45 12 F S R A
XV-2P/11	10,80	260	300	X 2 P 47 11 F S R A	X 2 P 47 12 F S R A
XV-2P/14	14,40	250	290	X 2 P 49 11 F S R A	X 2 P 49 12 F S R A
XV-2P/17	16,80	230	270	X 2 P 51 11 F S R A	X 2 P 51 12 F S R A
XV-2P/19	19,20	210	250	X 2 P 53 11 F S R A	X 2 P 53 12 F S R A
XV-2P/22	22,80	200	240	X 2 P 55 11 F S R A	X 2 P 55 12 F S R A
XV-2P/26	26,20	170	210	X 2 P 57 11 F S R A	X 2 P 57 12 F S R A
XV-2P/30	30,00	160	200	X 2 P 59 11 F S S A	X 2 P 59 12 F S S A
XV-2P/34	34,20	150	190	X 2 P 61 11 F S S A	X 2 P 61 12 F S S A
XV-2P/40	39,60	140	180	X 2 P 63 11 F S S A	X 2 P 63 12 F S S A

P1) Max. working pressure - P3) Max. peak pressure

For heavy-duty applications, it is recommended to check the admissible torque of the shaft

Dimensions table

TYPE	Weight kg	A	B	C	D	E	F	D	E	F
		mm	mm	mm	IN			OUT		
XV-2P/04	2,100	87,2	38,6	77,2	ø20	40	M6x1	ø15	35	M6x1
XV-2P/06	2,200	90,2	38,6	80,2	ø20	40	M6x2	ø15	35	M6x1
XV-2P/09	2,300	94,2	40,6	84,2	ø20	40	M6x3	ø15	35	M6x1
XV-2P/11	2,400	98,2	45,0	88,2	ø20	40	M6x4	ø15	35	M6x1
XV-2P/14	2,600	104,2	45,0	94,2	ø20	40	M6x5	ø15	35	M6x1
XV-2P/17	2,700	108,2	45,0	98,2	ø20	40	M6x6	ø15	35	M6x1
XV-2P/19	2,800	112,2	45,0	102,2	ø20	40	M6x7	ø15	35	M6x1
XV-2P/22	2,950	118,2	52,5	108,2	ø20	40	M6x8	ø15	35	M6x1
XV-2P/26	3,050	122,2	52,5	112,2	ø20	40	M6x9	ø15	35	M6x1
XV-2P/30	3,300	130,2	60,7	120,2	ø20	40	M6x10	ø20	40	M6x1
XV-2P/34	3,500	137,2	60,7	127,2	ø20	40	M6x11	ø20	40	M6x1
XV-2P/40	3,700	146,2	60,7	136,2	ø20	40	M6x12	ø20	40	M6x1



T.1 = 54÷58.9 [Nm] - screw tightening torque M10

T.3 = 40 [Nm] - torque wrench setting 19

T.2 = 233.2 [Nm] - admissible shaft torque (N.B. When choosing a shaft, always check the admissible torque).

Table of variations

XV-2P

ø50 "BH" Body-Shaped FLANGE

ø50 "BH" Body-Shaped FLANGE				Shaft				Cover			
Left rotation		Right rotation		Left rotation		Right rotation		Left rotation		Right rotation	
	11		12	CI001 - Parallel T.2 = 44.1 [Nm] 	A	CI002 - Parallel T.2 = 67.5 [Nm] 	B				A
	13		14	CO001 - Tapered T.2 = 233.2 [Nm] 	E	CO002 - Tapered T.2 = 233.2 [Nm] 	F				B
	15		16	SCF03 - Splined T.2 = 86.1 [Nm] 	H						C
	17		18								D

Displacement	
TYPE	CODE
XV-2P/04	41
XV-2P/06	43
XV-2P/09	45
XV-2P/11	47
XV-2P/14	49
XV-2P/17	51
XV-2P/19	53
XV-2P/22	55
XV-2P/26	57
XV-2P/30	59
XV-2P/34	61
XV-2P/40	63

Standard bodies						
Displacement cm3/rev	Standard threads					
	4	O - O	S - R	B - B	L - M	Z - Z
6	O - O	S - R	B - B	L - M	Z - Z	
9	O - O	S - R	B - B	L - M	Z - Z	
11	O - O	S - R	B - B	L - M	Z - Z	
14	P - O	S - R	C - B	L - M	Z - Z	
17	P - O	S - R	C - B	L - M	Z - Z	
19	P - O	S - R	C - B	L - M	Z - Z	
22	P - O	S - R	C - B	L - M	Z - Z	
26	Q - P	S - R	D - C	L - M	Z - Z	
30	Q - P	S - S	D - C	L - M	Z - Z	
34	Q - P	S - S	D - C	L - M	Z - Z	
40	Q - P	S - S	D - C	L - M	Z - Z	

Table showing standard flange and thread combinations available in stock

			N
			O

Body (threads/flanges)													
	A		B		C		D		E		F		G
	H		I		L		M		N		O		P
	Q		R		S		T		U		V		Z