

Directional control valves
manual operated poppet 2-way normally closed
Special cavity, 021-E

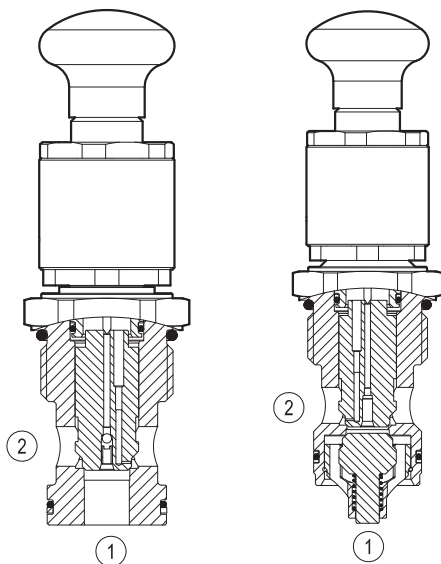
VMI-8A-2A-12-NC

OD.55 - X - 21.37- Z

RE 18326-07

Edition: 06.2011

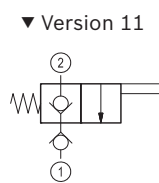
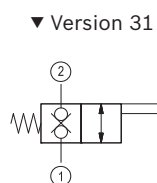
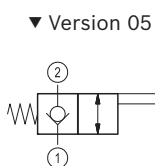
Replaces: 01.2010



Technical data

General	
Weight	0.5 kg (1.1 lbs)
Installation orientation	Optional
Ambient temperature range	-30 to 60 °C (-22 to 140 °F)
Hydraulic	
Max. operating pressure	350 bar (5000 psi)
Max. flow	150 l/min (39 gpm)
Max. internal leakage	20 drops/min.
Fluid temperature range	-20 to 80 °C (-4 to 176 °F)
Fluids: Mineral-based or synthetics with lubricating properties at viscosities of 20 to 380 mm ² /s (cSt)	
Installation torque	80 - 100 Nm (59 - 79 ft-lbs)
Recommended degree of fluid contamination	Nominal value max. 25 µm (NAS 8) ISO 4406 19/17/14
Special cavity	021-E see 18325-75
Lines bodies and standard assemblies	Please refer to section "Hydraulic integrated circuit" or consult factory
Seal kit – version 05	code RG21E201052010 material no. R934003566
Seal kit – version 31	code RG21E201053010 material no. R934003567
Other technical data	See data sheet 18350-50
Only for cam-operated valves:	
Operating stroke	3 mm (0.12 in)
Max. overstroke	0.5 mm (0.02 in)

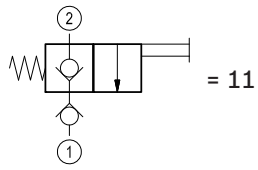
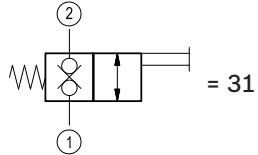
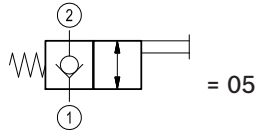
IMPORTANT: When valve is not operated, flow from 1 to 2 is not recommended due to high opening pressure. (Version 05)



Ordering code

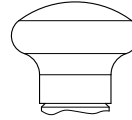
OD.55	X	21	37	Z
--------------	----------	-----------	-----------	----------

Directional control valves
manual operated poppet 2-way
normally closed



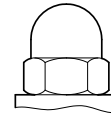
Hand-operated

00 =



Cam-Operated

01 =



Special cavity: 021-E

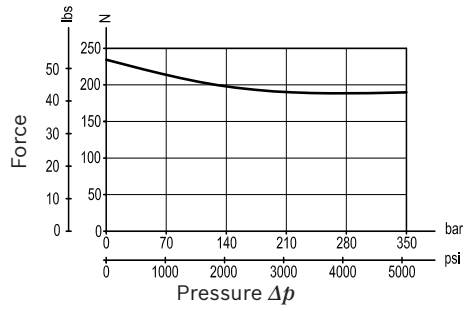
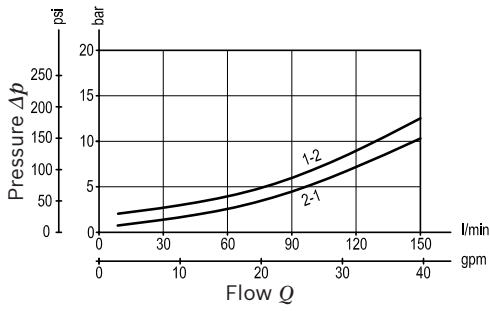
Preferred types

Type	Material number
OD550521370000	R934001430
OD550521370100	R934001431
OD553121370000	R934001441
OD553121370100	R934001442
OD551121370000	R934004212
OD551121370100	R934004213

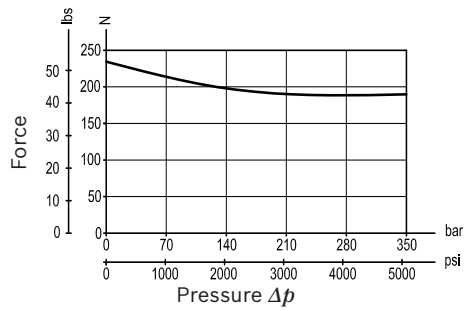
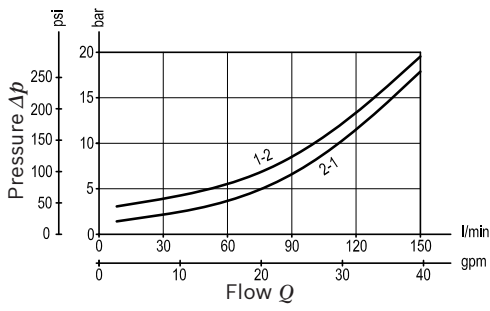
Type	Material number

Characteristic curves

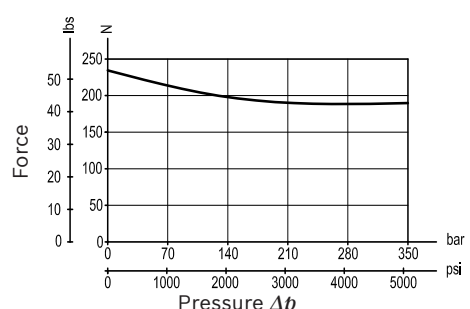
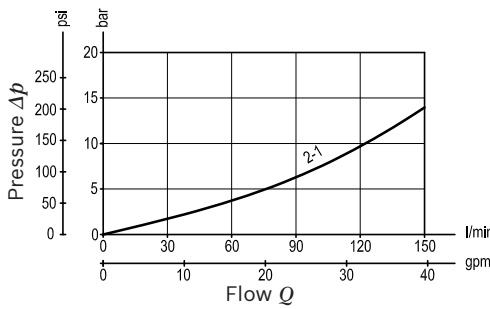
Version 05



Version 31

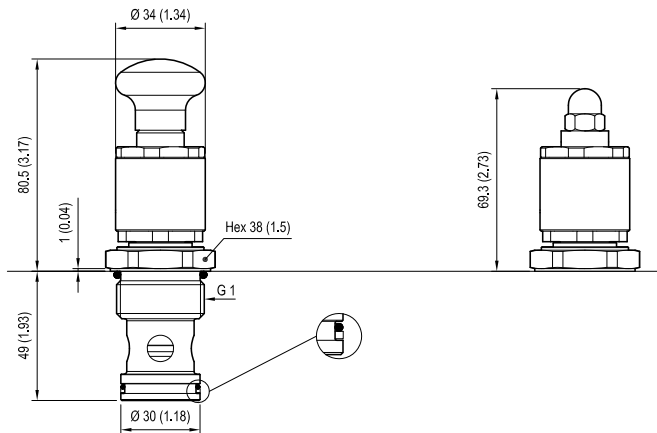


Version 11

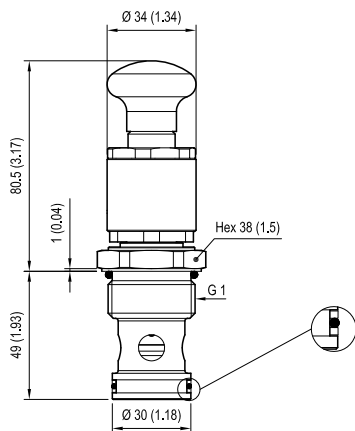


Dimensions

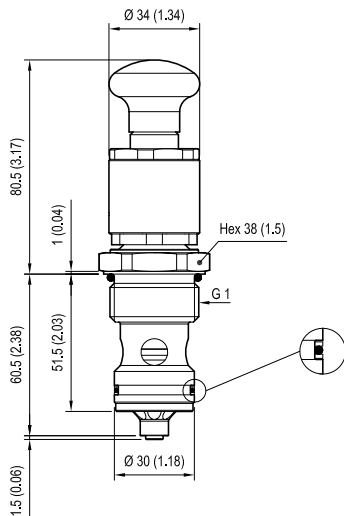
▼ Version 05: Directional control valves manual operated poppet 2-way normally closed - Special cavity



▼ Version 31: Directional control valves manual operated poppet 2-way double lock normally closed - Special cavity



▼ Version 11: Directional control valves manual operated poppet 2-way normally closed - Special cavity

**Bosch Rexroth Oil Control S.p.A.**

Via Leonardo da Vinci 5
 P.O. Box no. 5
 41015 Nonantola – Modena, Italy
 Tel. +39 059 887 611
 Fax +39 059 547 848
 compact-hydraulics-cv@boschrexroth.com
 www.boschrexroth.com/compacthydraulics

© This document, as well as the data, specifications and other information set forth in it, are the exclusive property of Bosch Rexroth Oil Control S.p.a.. It may not be reproduced or given to third parties without its consent. The data specified above only serve to describe the product. No statements concerning a certain condition or suitability for a certain application can be derived from our information. The information given does not release the user from the obligation of own judgment and verification. It must be remembered that our products are subject to a natural process of wear and aging. Subject to change.