

Directional control valves
manual operated poppet 2-way normally closed
Special cavity, 017-E

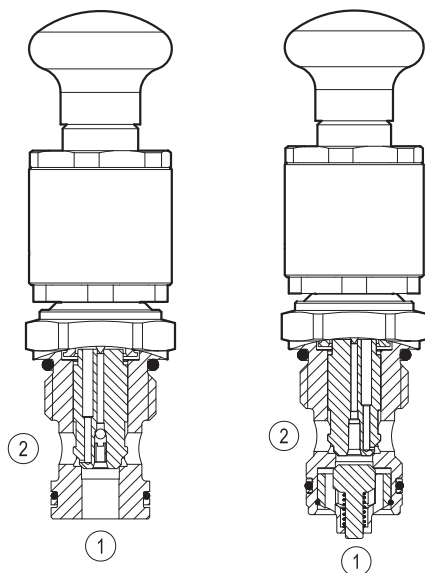
VMI-8A-2A-09-NC

OD.55 - X - 17.37- Z

RE 18326-05

Edition: 07.2010

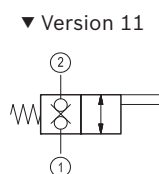
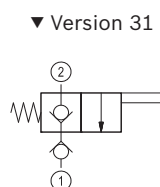
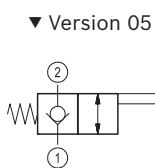
Replaces: 01.2006



Technical data

General	
Weight	0.28 kg (0.62 lbs)
Installation orientation	Optional
Ambient temperature range	-30 to 60 °C (-22 to 140 °F)
Hydraulic	
Max. operating pressure	350 bar (5000 psi)
Max. flow	70 bar (19 psi)
Max. internal leakage	20 drops/min.
Fluid temperature range	-20 to 80 °C (-4 to 176 °F)
Fluids: Mineral-based or synthetics with lubricating properties at viscosities of 20 to 380 mm ² /s (cSt)	
Installation torque	54 - 66 Nm (40 - 49 ft-lbs)
Recommended degree of fluid contamination	Nominal value max. 25 µm (NAS 8) ISO 4406 19/17/14
Special cavity	017-E see 18325-75
Lines bodies and standard assemblies	Please refer to section "Hydraulic integrated circuit" or consult factory
Seal kit – version 05	code RG17E201052010 material no. R934003562
Seal kit – version 31	code RG17E201053010 material no. R934003563
Other technical data	See data sheet 18350-50
Only for cam-operated valves:	
Operating stroke	3 mm (0.12 in)
Max. overstroke	0.5 mm (0.02 in)

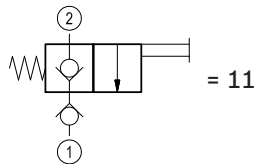
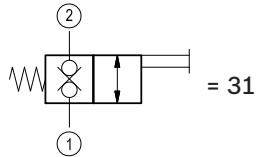
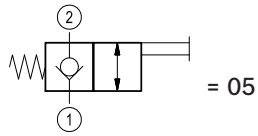
IMPORTANT: When valve is not operated, flow from 1 to 2 is not recommended due to high opening pressure. (Version 05)



Ordering code

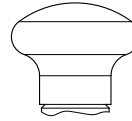
OD.55	X	17	37	Z
--------------	----------	-----------	-----------	----------

Directional control valves
manual operated poppet 2-way
normally closed



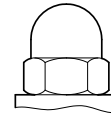
Hand-operated

00 =



Cam-Operated

01 =



Special cavity: 017-E

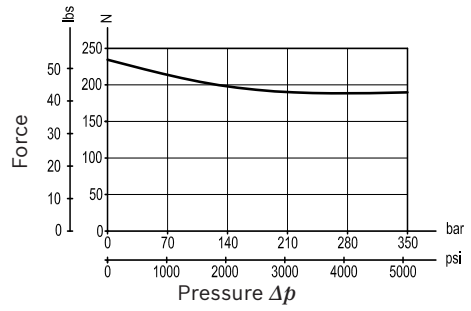
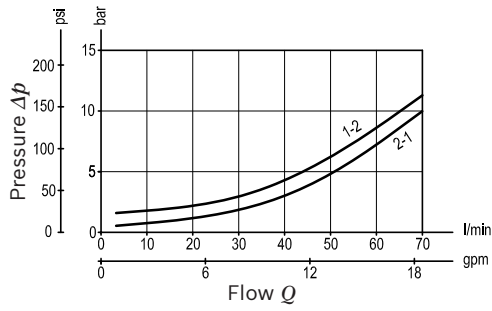
Preferred types

Type	Material number
OD550517370000	R934001424
OD550517370100	R934001425
OD553117370000	R934001437
OD553117370100	R934001438
OD551117370000	R934003846
OD551117370100	R934003671

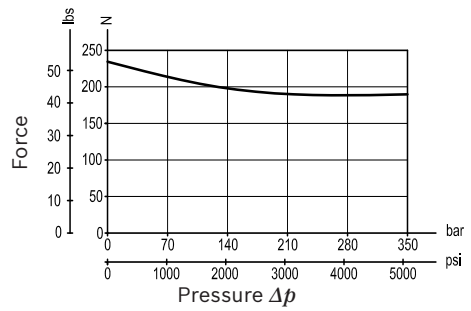
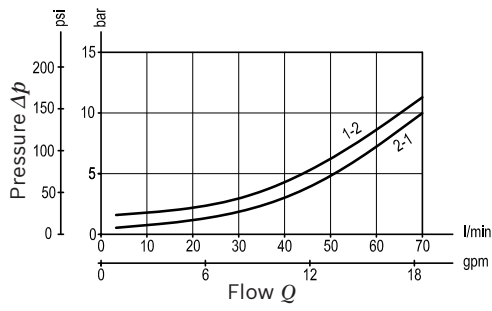
Type	Material number

Characteristic curves

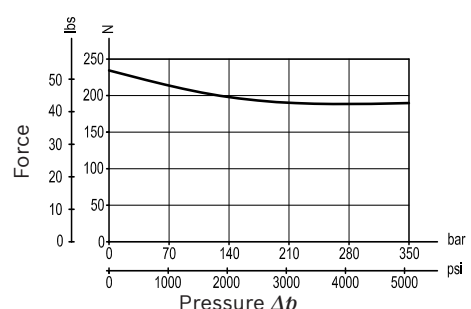
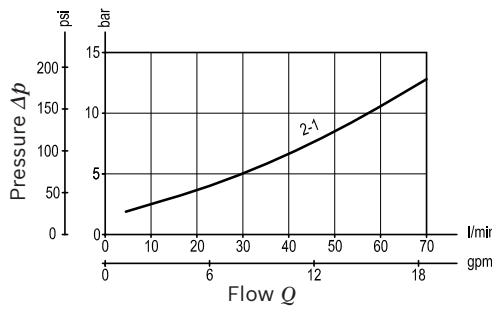
Version 05



Version 31

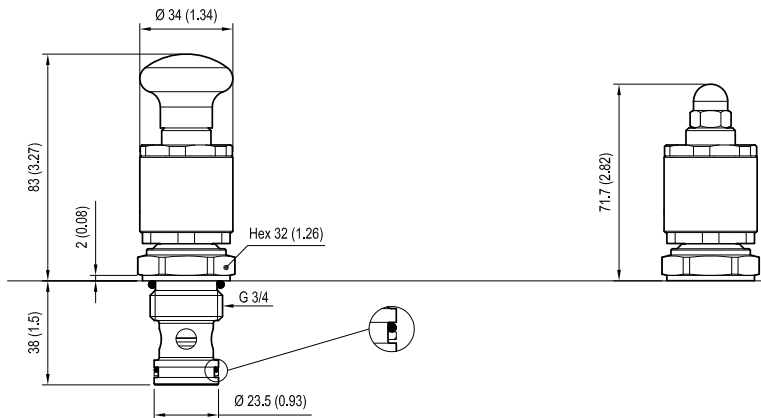


Version 11

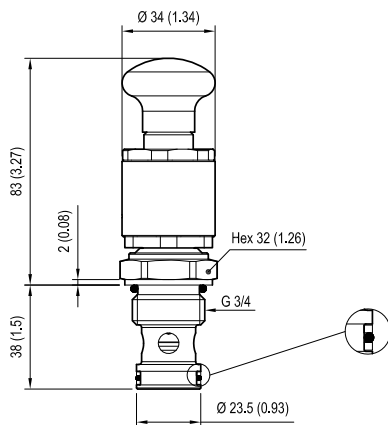


Dimensions

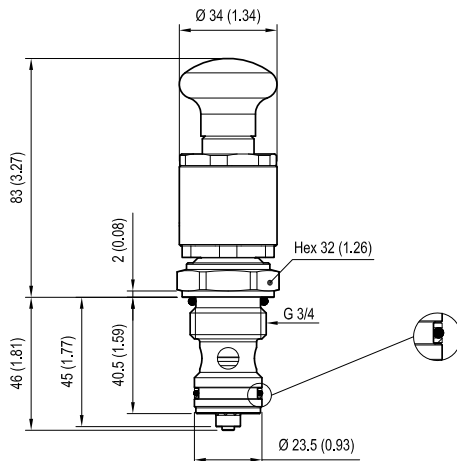
▼ Version 05: Directional control valves manual operated poppet 2-way normally closed - Special cavity



▼ Version 31: Directional control valves manual operated poppet 2-way double lock normally closed - Special cavity



▼ Version 11: Directional control valves manual operated poppet 2-way normally closed - Special cavity

**Bosch Rexroth Oil Control S.p.A.**

Via Leonardo da Vinci 5
 P.O. Box no. 5
 41015 Nonantola – Modena, Italy
 Tel. +39 059 887 611
 Fax +39 059 547 848
 compact-hydraulics-cv@boschrexroth.com
 www.boschrexroth.com/compacthydraulics

© This document, as well as the data, specifications and other information set forth in it, are the exclusive property of Bosch Rexroth Oil Control S.p.a.. It may not be reproduced or given to third parties without its consent. The data specified above only serve to describe the product. No statements concerning a certain condition or suitability for a certain application can be derived from our information. The information given does not release the user from the obligation of own judgment and verification. It must be remembered that our products are subject to a natural process of wear and aging. Subject to change.