

Proportional valves 2-way double lock
normally closed
Common cavity, Size 08

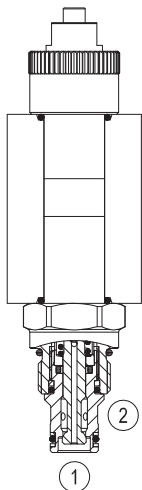
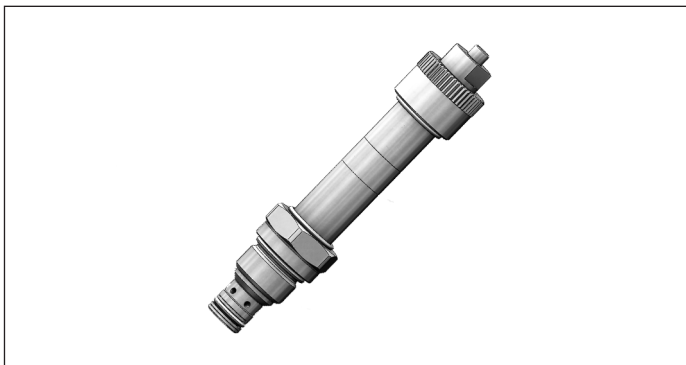
VEPN-08A-16

OD.95.31.18.54 - Y - 00

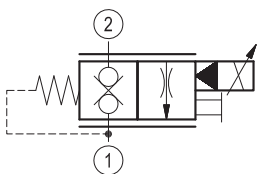
RE 18323-70

Edition: 09.2016

Replaces: 01.2016



▼ **Version 31**



Technical data

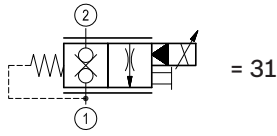
General		
Weight		0.20 kg (0.45 lbs)
Installation orientation		Optional
Ambient temperature range		-30 to 60 °C (-22 to 140 °F)
Hydraulic		
Max. operating pressure		250 bar (3600 psi)
Flow range		5 - 20 l/min. (1.3 - 5 gpm)
Fatigue cycle life		1 million cycles at 250 bar
Max. internal leakage		1 cm ³ /min. (0.1 cu.in./min.)
Fluid temperature range		-20 to 80 °C (-4 to 176 °F)
Fluids: Mineral-based or synthetics with lubricating properties at viscosities of 15 to 380 mm ² /s (cSt)		
Installation torque		34 -41 Nm (25 - 30 ft-lbs)
Recommended degree of fluid contamination		Nominal value max. 10 µm (NAS 8) ISO 4406 19/17/14
Cavity		CA-08A-2N see 18325-70
Lines bodies and standard assemblies	Please refer to section "Hydraulic integrated circuit" or consult factory	
Seal kit	code	RG08A2010530100
	material no.	R901101544
Seal kit coil	code	RG16A1PMVQ0010
	material no.	R934003962
Other technical data	See data sheet 18350-50	
Electrical		
Type of voltage		DC voltage
Coil type		R7
Supply voltage		12 - 24 DC
Nominal voltage		± 10%
Power consumption		28 W
Duty cycle coil		100
Type of protection		See data sheet 18325-90
Note: Coils must be ordered separately		

Ordering code

OD.95	31	18	54	*	00
--------------	-----------	-----------	-----------	----------	-----------

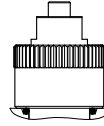
Proportional valves 2-way
double lock normally closed

monodirectional type

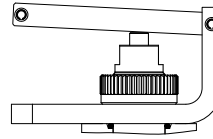


Common cavity: CA-08A-2N

91 = Standard type



90 = Lever option for flexible cable



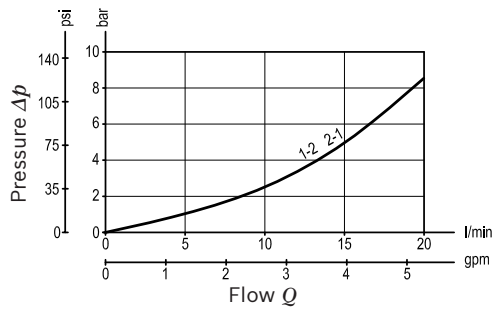
Preferred types

Type	Material number
OD953118549000	R930053666
OD953118549100	R930053667

Type	Material number

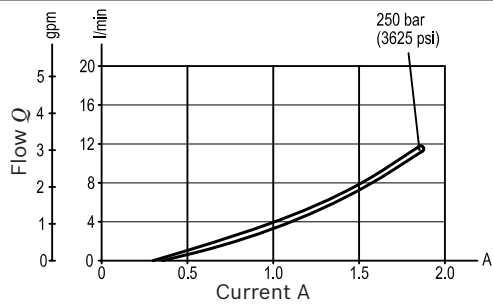
Characteristic curves

Wide open pressure drop



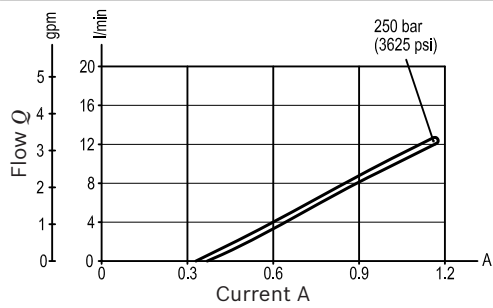
Flow vs. Current at various differential pressures

R7 12V
I max. 1.9A



P bar (psi)	I (A) min.
50 (725)	0.9 ± 0.1
150 (2175)	0.7 ± 0.1
250 (3625)	0.5 ± 0.1

R7 24V
I max. 0.950A

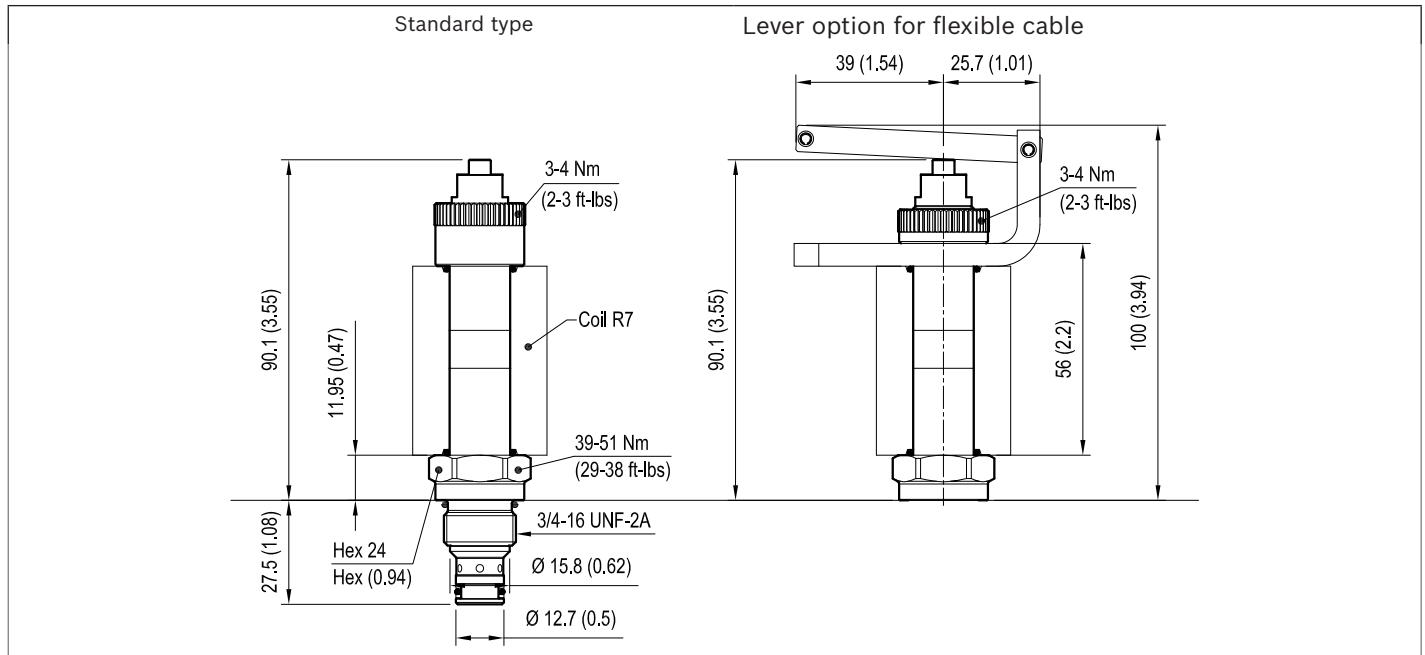


P bar (psi)	I (A) min.
50 (725)	0.55 ± 0.05
150 (2175)	0.45 ± 0.05
250 (3625)	0.35 ± 0.05

PMW Frequency: 120-150 Hz

Hysteresis: < 10%

Note: Performance using coil without diode.

Dimensions▼ **Proportional valves 2-way double lock****Bosch Rexroth Oil Control S.p.A.**

Via Leonardo da Vinci 5
P.O. Box no. 5
41015 Nonantola – Modena, Italy
Tel. +39 059 887 611
Fax +39 059 547 848
compact-hydraulics-cv@boschrexroth.com
www.boschrexroth.com/compacthydraulics

© This document, as well as the data, specifications and other information set forth in it, are the exclusive property of Bosch Rexroth Oil Control S.p.a.. It may not be reproduced or given to third parties without its consent. The data specified above only serve to describe the product. No statements concerning a certain condition or suitability for a certain application can be derived from our information. The information given does not release the user from the obligation of own judgment and verification. It must be remembered that our products are subject to a natural process of wear and aging. Subject to change.