

Solenoid operated valves direct acting poppet type
2-way double lock
Bosch cavity, 20-01-0-03

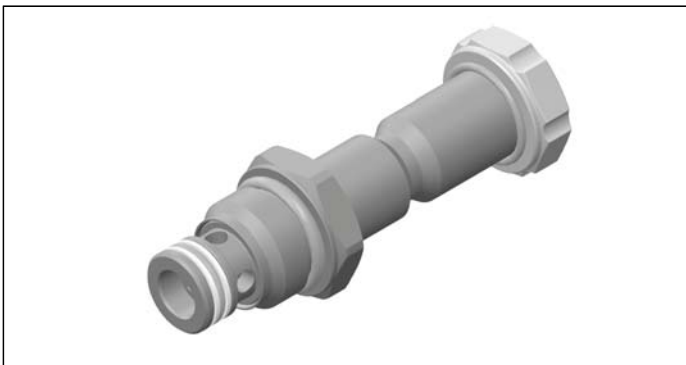
VEDT-16-NC

OD.11 - X - 39 - Y - Z

RE 18324-13

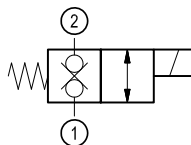
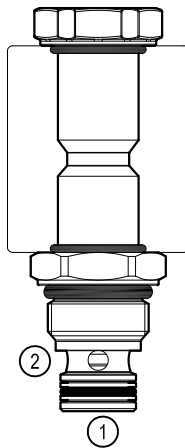
Edition: 03.2020

Replaces: 06.2019



Technical data

General	
Weight	0.12 kg (0.26 lbs)
Installation orientation	Unrestricted
Storage ambient temperature range	-40 to 100 °C (-40 to 212 °F)
Operating ambient temperature range	-30 to 90 °C (-22 to 194 °F)
Salt spray test to DIN EN ISO 9227:2017-07	500h
Hydraulic	
Max. operating pressure	up to 250 bar (3625 psi)
Max. flow	up to 15 l/min. (4 gpm)
Max. internal leakage	5 drops/min
Fatigue cycle life	1 million cycles at 250 bar
Fluid temperature range	-20 to 80 °C (-4 to 176 °F)
Fluids: Mineral-based or synthetics with lubricating properties at viscosities of 20 to 380 mm ² /s (cSt)	
Installation torque	34 - 39 Nm (25 - 29 ft-lbs)
Recommended degree of fluid contamination	Nominal value max. 10 µm (NAS 8) ISO 4406 19/17/14
MTTFd	150 years see RE 18350-51
Bosch cavity	20-01-0-03
Seal kit	code material no. RG39E201053010 R934003586
Seal kit coil and standard cap	code material no. RG02Z0010000100 R930067869
Lines bodies and standard assemblies	Please refer to section "Hydraulic integrated circuit" or consult factory
Other technical data	See data sheet 18350-50
Electrical	
Type of voltage	DC voltage
Coil type	D36
Supply voltage	See data sheet 18325-90
Admitted voltage tolerance: see characteristic curves and table	
Power consumption	20 W
Type of protection	See data sheet 18325-90
Note: Coils must be ordered separately	

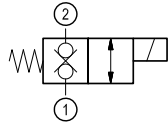


Ordering code

OD.11	X	39	Y	Z	0000	*
--------------	----------	-----------	----------	----------	-------------	----------

Solenoid operated valves
direct acting poppet type
2-way double lock

Series O/A to L
unchanged performances and dimensions



31

0 = With Buna seal
V = With Viton seal

A = Standard
B = Push style manual override

Bosch cavity: 20-01-0-03

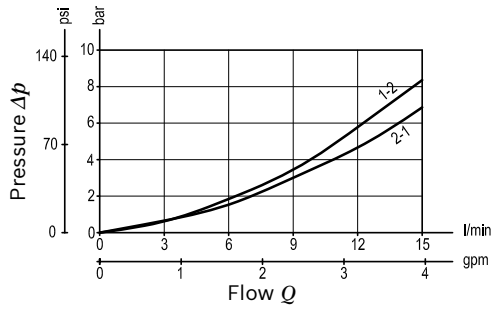
Type	Material number
OD113139A000000	R930058705
OD113139B000000	R930058695

Type	Material number

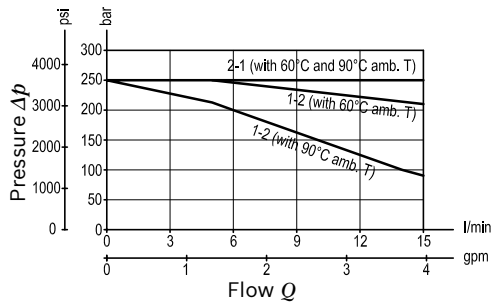
Characteristic curves

Version 31

Pressure drop

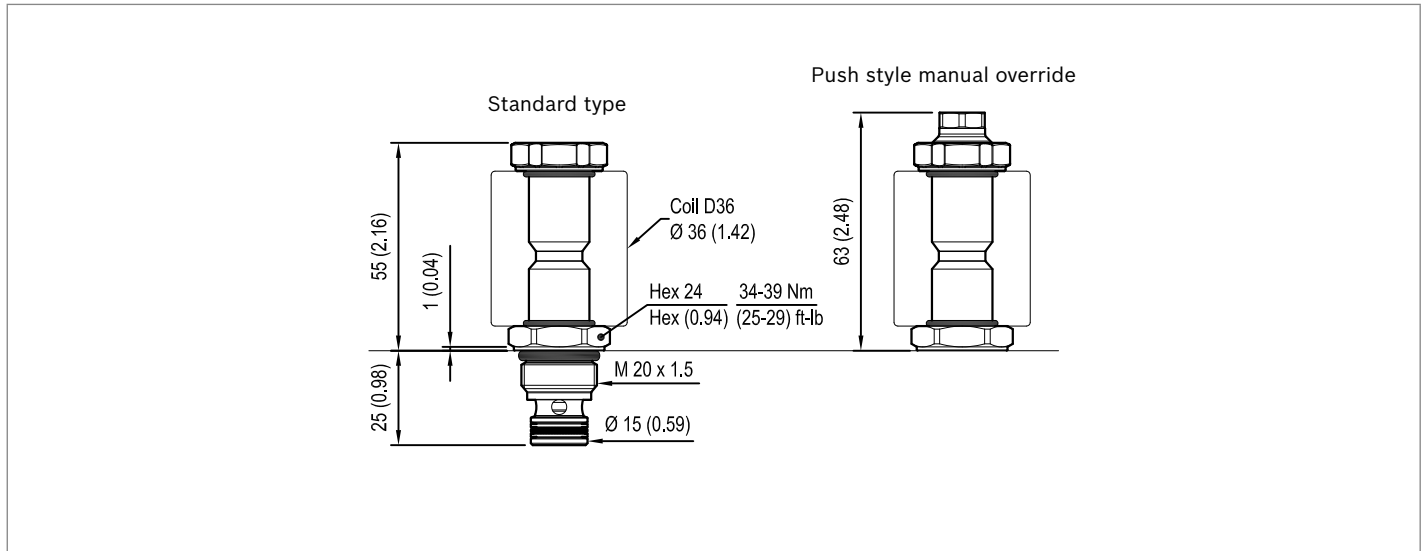


Performance limits at 100% duty cycle



Minimum switching voltage		
Flow direction	Amb. T	Voltage required
2-1	60°C	-20% of V nominal
2-1	90°C	V nominal
1-2	60°C	-10% of V nominal
1-2	90°C	V nominal

Note: in case of need of performance limits at specific different working conditions, please consult factory.

Dimensions**Solenoid operated valves, direct acting
poppet type 2-way double lock****Bosch Rexroth Oil Control S.p.A.**

Via Leonardo da Vinci 5
P.O. Box no. 5
41015 Nonantola – Modena, Italy
Tel. +39 059 887 611
Fax +39 059 547 848
compact-hydraulics-cv@boschrexroth.com
www.boschrexroth.com/compacthydraulics

© This document, as well as the data, specifications and other information set forth in it, are the exclusive property of Bosch Rexroth Oil Control S.p.a.. It may not be reproduced or given to third parties without its consent. The data specified above only serve to describe the product. No statements concerning a certain condition or suitability for a certain application can be derived from our information. The information given does not release the user from the obligation of own judgment and verification. It must be remembered that our products are subject to a natural process of wear and aging. Subject to change.