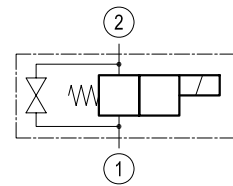
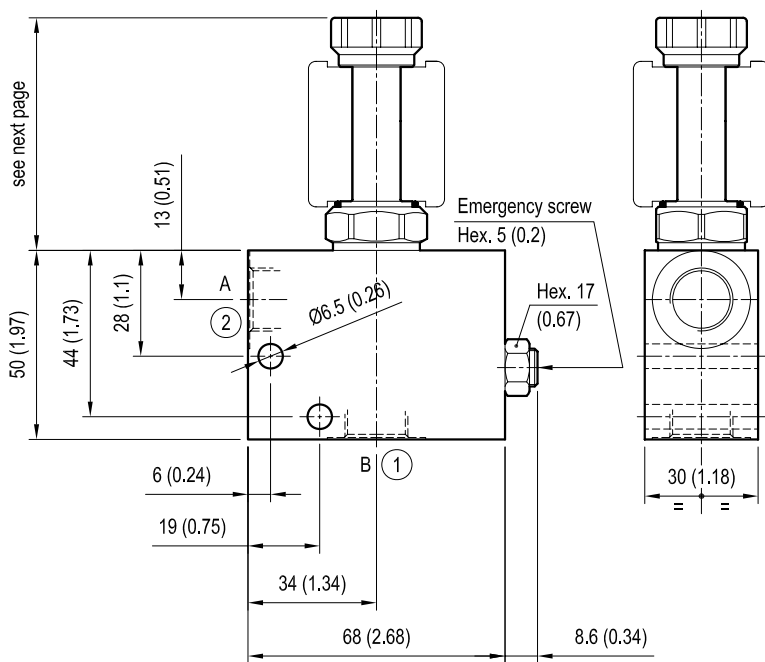


Solenoid operated valves  
2-way 2-positions, normally closed  
Common cavity size 08  
in emergency manifold

VED-CE-7A/8I-06

OE.11 - K - 18 - Y - Z - W

Dimensions



Cartridge schemes

monodirectional type	bidirectional type

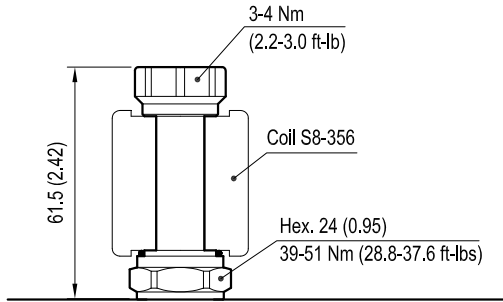
[ mm (inches) ]

Technical data

Max flow:	up to 1,5 l/min	(0,4 gpm)
Max operating pressure for <b>steel</b> body:	350 bar	(5000 psi)
Max operating pressure for <b>aluminium</b> body:	210 bar	(3000 psi)

To order only manifold see data sheet RE 18325-85

Dimensions



[ mm (inches) ]

**CARTRIDGE TECHNICAL DATA**

Common cavity: **CA-08A-2N**

Filtration: 25 µm nominal or better

Minimum voltage required: 90% of nominal value

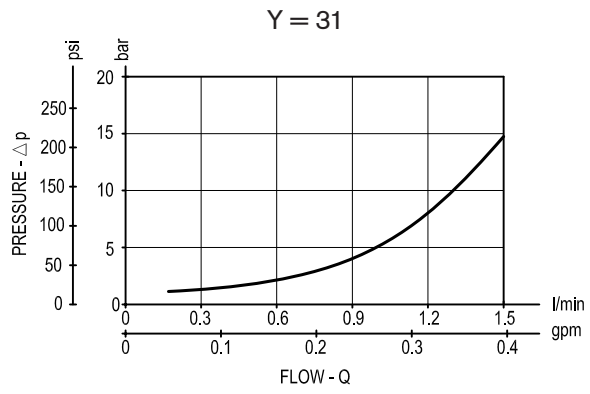
Coil : **must be ordered separately**  
see data sheet RE 18325-90

Mounting position: unrestricted

OE11	- K -		18	- Y -			- Z -		- W -		CARTRIDGE SCHEME	
	monodir.	bidir.		Rated Flow			Ports size 1-2		Material		monodir.	bidir.
				1.5 l/min (0.4 gpm)	15 l/min (4 gpm)	25 l/min (7 gpm)	G 1/4	G 3/8	Aluminium	Steel		
OD11		<b>01</b>	18	<b>31</b>			<b>09</b>	<b>02</b>	<b>00</b>	<b>S0</b>		

CARTRIDGE CODE

## Performance graph



**Ordering code**

OE.11	K	18	Y	Z	W
-------	---	----	---	---	---

**Solenoid operated valve,  
2-way 2-positions, normally closed  
in emergency manifold**

**Cartridge scheme** (see page 1 and 2)

**= 01** Bidirectional

**Common cavity Size 08**

**Manifold material**

**= 00** Aluminium

**= S0** Steel

**Port sizes** (see table on page 2)

**= 09** G 1/4

**= 02** G 3/8

See table on page 2

**Preferred types** (readily available)

Type	Material number
OE110118310900	R934001550

Type	Material number

Further types available by request