

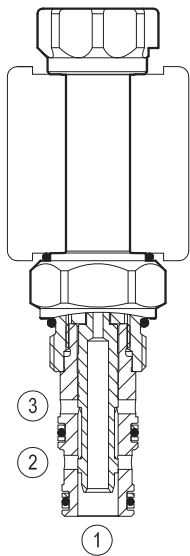
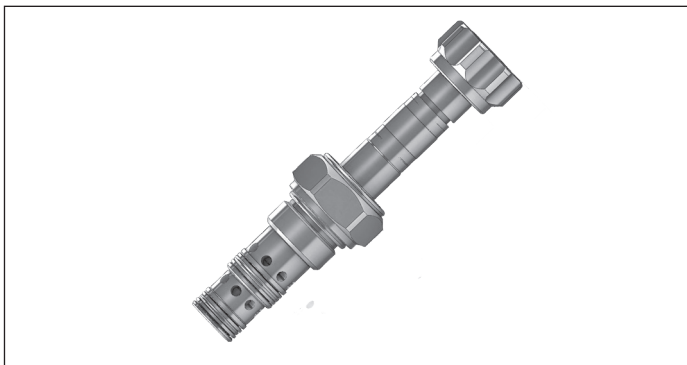
VALVES IN PHASE OUT
Valves replaced by new VEI-16 (RE18324-08)

Solenoid operated valves direct acting
 spool 3-way 2-position
 Common cavity, Size 08

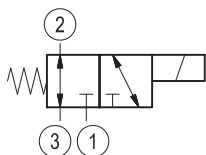
RE 18324-61
 Edition: 03.2016
 Replaces: 01.2006

VED-8I-32

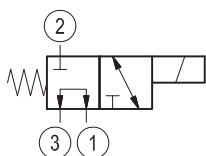
OD.13 - X - 51 - Y - Z



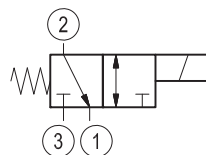
▼ **Version 10**



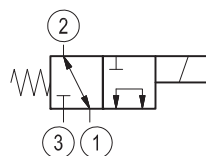
▼ **Version 20**



▼ **Version 11**



▼ **Version 30**



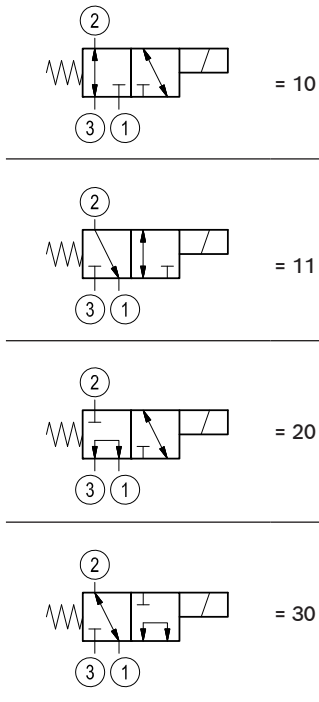
Technical data

General	
Weight	0.14 kg (0.31 lbs)
Installation orientation	Any
Ambient temperature range	-30 to 60 °C (-22 to 140 °F) - coil 20W
Hydraulic	
Max. operating pressure	210 bar (3045 psi)
Max. flow	10 l/min. (3 gpm)
Max. internal leakage	40 cm ³ /min. (2.4 cu.in./min.)
Fluid temperature range	-20 to 80 °C (-4 to 176 °F)
Fluids: Mineral-based or synthetics with lubricating properties at viscosities of 20 to 380 mm ² /s (cSt)	
Installation torque	39 - 51 Nm (29 - 38 ft-lbs)
Filtration	Nominal value max. 10 µm (NAS 8) ISO 4406 19/17/14
Cavity	CA-08A-3N
Seal kit	code RG08A3010530100 material no. R901101723
Seal kit coil	code RG1211PNBR7010 material no. R934003957
Other technical data	See data sheet 18350-50
Electrical	
Type of voltage	DC voltage
Coil type	S8-356
Supply voltage	See data sheet 18325-90
Power consumption	See data sheet 18325-90
Duty cycle coil	See data sheet 18325-90
Type of protection	See data sheet 18325-90
Note: Coils must be ordered separately	

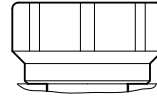
Ordering code

OD.13	*	51	*	00	00
-------	---	----	---	----	----

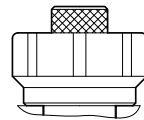
Solenoid operated valves direct acting
spool 3-way 2-position



30 = Standard type



40 = knob style manual override



Common cavity: CA-08A-3N

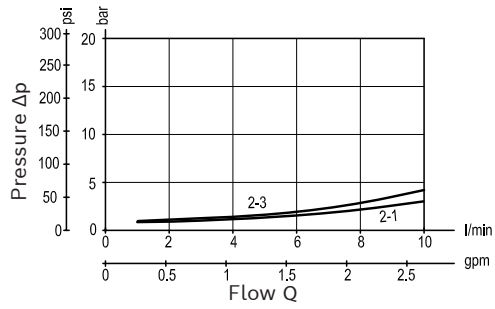
Preferred types

Type	Material number
OD131051300000	R901126871
OD131051400000	R901126872
OD131151300000	R901126873
OD131151400000	R901126875
OD132051300000	R901126892
OD132051400000	R901126895
OD133051300000	R901098192
OD133051400000	R901126897

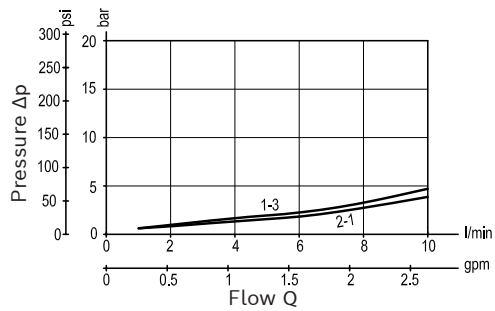
Type	Material number

Characteristic curves

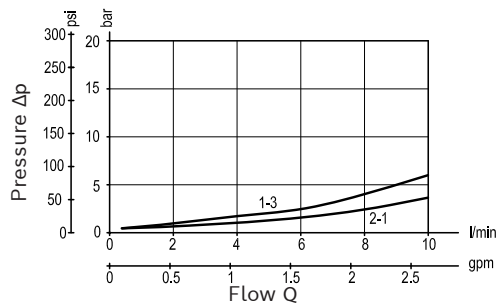
Version 10 - 11



Version 20

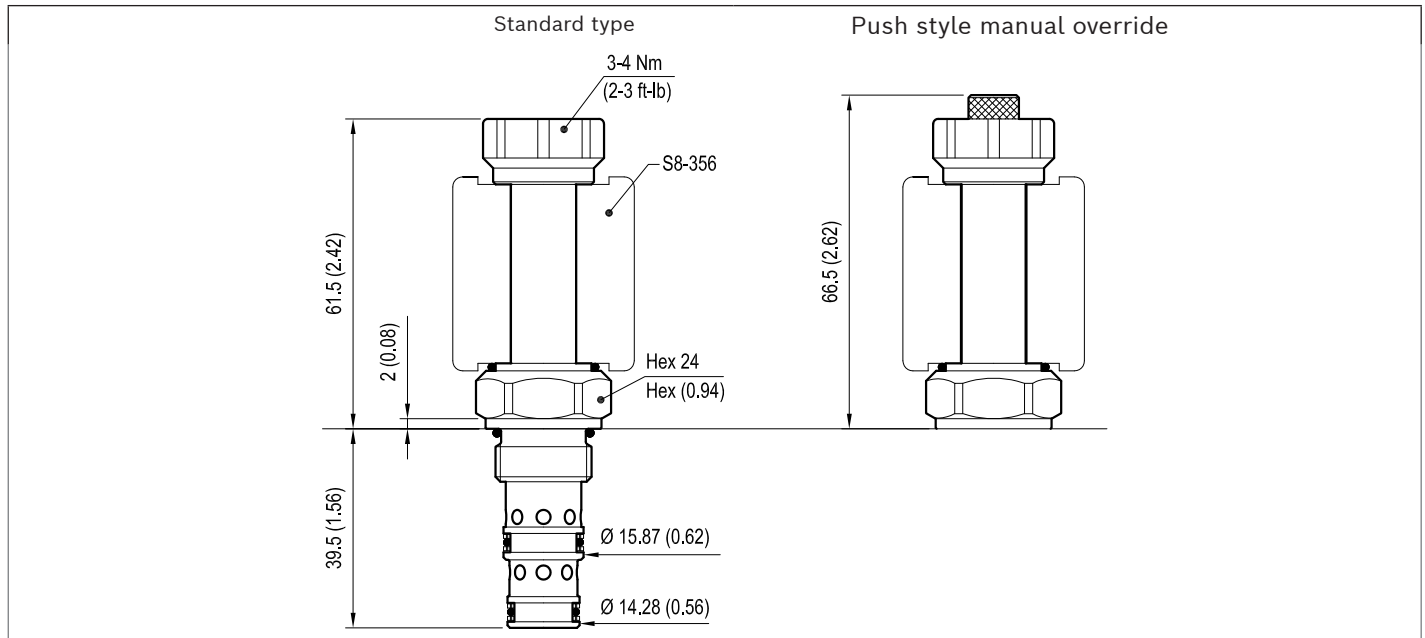


Version 30



Dimensions

▼ Solenoid operated valves direct acting spool 3-way 2-position

**Bosch Rexroth Oil Control S.p.A.**

Via Leonardo da Vinci 5
P.O. Box no. 5
41015 Nonantola – Modena, Italy
Tel. +39 059 887 611
Fax +39 059 547 848
compact-hydraulics-cv@boschrexroth.com
www.boschrexroth.com/compacthydraulics

© This document, as well as the data, specifications and other information set forth in it, are the exclusive property of Bosch Rexroth Oil Control S.p.a.. It may not be reproduced or given to third parties without its consent. The data specified above only serve to describe the product. No statements concerning a certain condition or suitability for a certain application can be derived from our information. The information given does not release the user from the obligation of own judgment and verification. It must be remembered that our products are subject to a natural process of wear and aging. Subject to change.