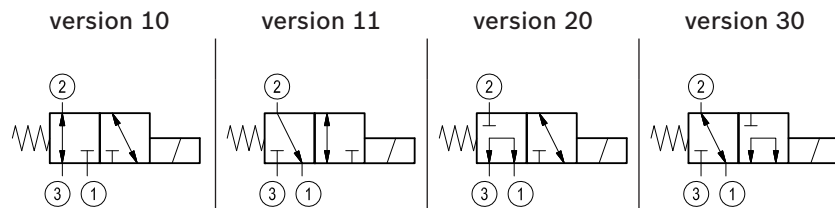
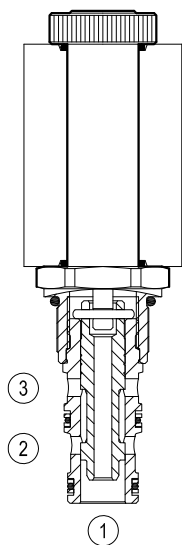
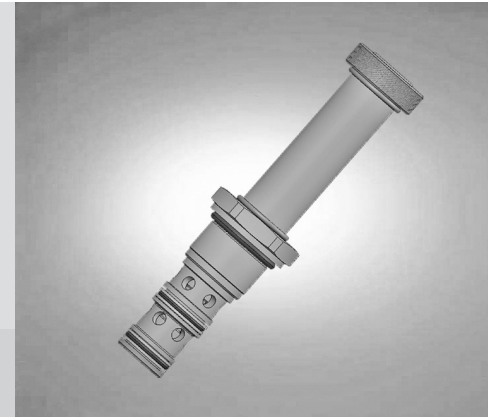


# Solenoid operated valves direct acting spool 3-way 2-position

Common cavity, Size 10

VED-10A-32

OD.13 - X - 77 - Y - 00



## General

Weight	kg (lbs)	0.22 (0.49)
Installation orientation		Optional
Ambient temperature range	°C (°F)	-30 to 60 (-22 to 140) - coil 30W

## Hydraulic

Max. operating pressure port 2-3	bar (psi)	280 (4000)
Max. operating pressure port 1	bar (psi)	210 (3000)
Max. flow	l/min. (gpm)	20 (6)
Max. internal leakage (*)	cm <sup>3</sup> /min. (cu.in./min.)	80 (5)
Fluid temperature range	°C (°F)	-20 to 80 (-4 to 176)
Fluids		Mineral-based or synthetics with lubricating properties at viscosities of 20 to 380 mm <sup>2</sup> /s (cSt)
Installation torque	Nm (ft-lbs)	44-56 (33-41)
Recommended degree of fluid contamination		Nominal value max. 10µm (NAS 8) ISO 4406 19/17/14
MTTFd		150 years see 18350-51
Cavity		CA-10A-3N see RE 18325-70
Lines bodies and standard assemblies		Please refer to section "Hydraulic integrated circuit" or consult factory
Seal kit	code material no.	RG10A3010530100 R930000990
Seal kit coil	code material no.	RG16A1PMVQ0010 R934003962
Other technical data		See data sheet RE 18350-50

(\*) Measured at 210 bar (3000 psi) (oil at 46 cSt)

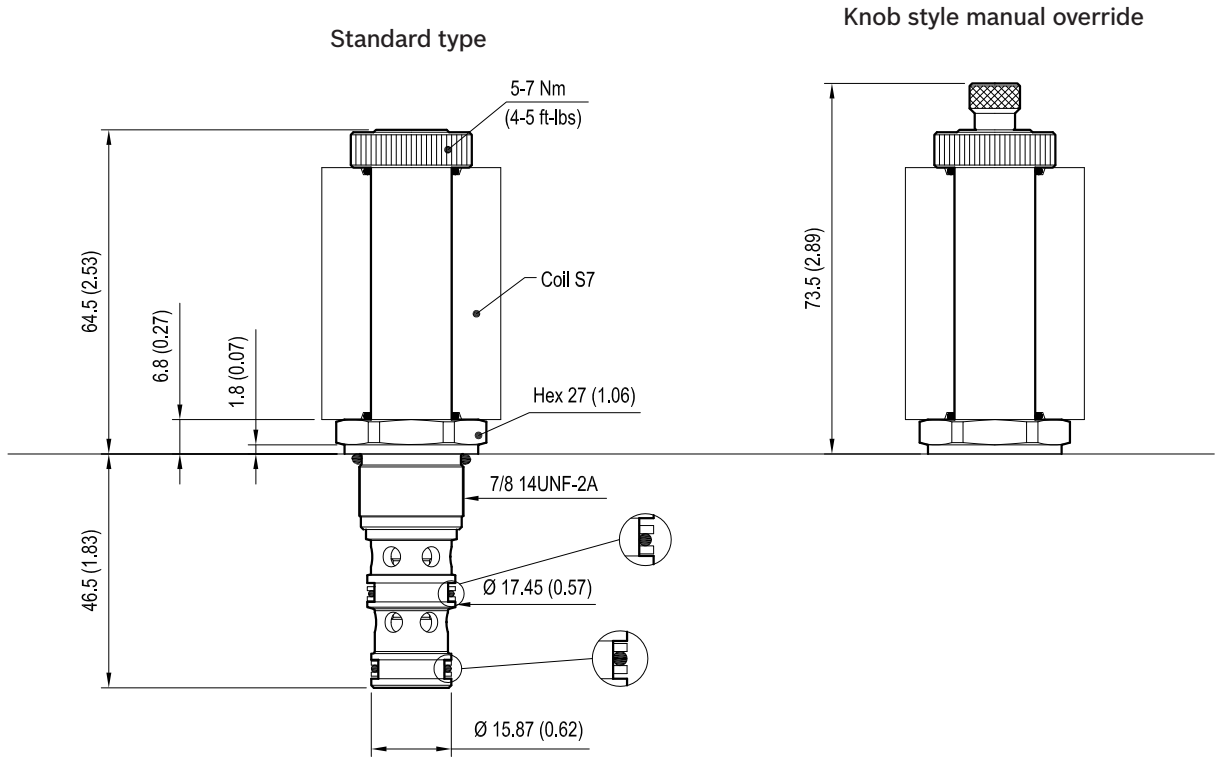
## Electrical

Type of voltage	DC voltage
Coil type	S7
Supply voltage	See data sheet RE 18325-90
Power consumption	W 30
Duty cycle coil	% 100 see RE 18325-90
Type of protection	See data sheet RE 18325-90
Nominal voltage coil 30W	-10% + 10%

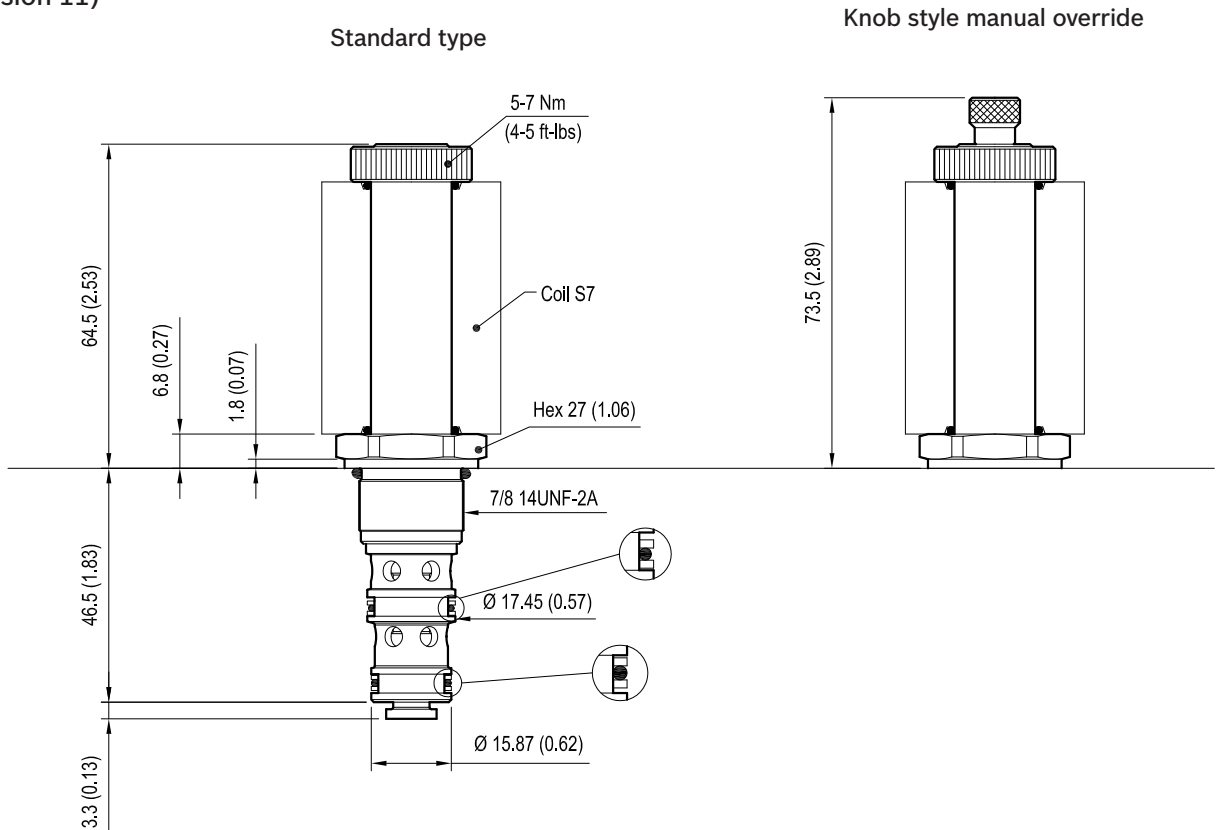
Note: Coils must be ordered separately.

# Dimensions

## Solenoid operated valve, spool 3-way 2-position



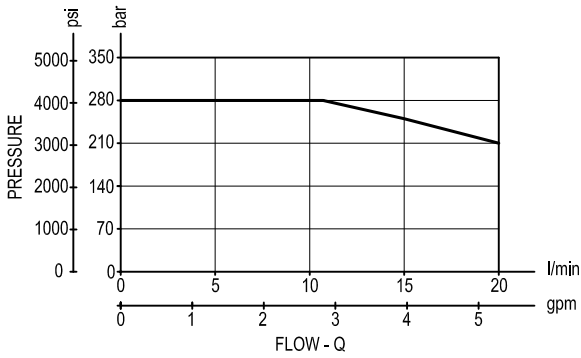
(only version 11)



mm (Inches)

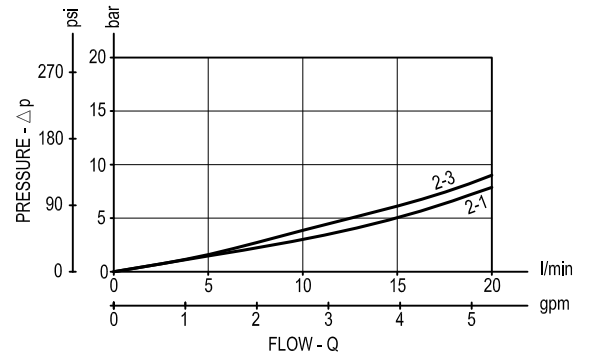
Performance graphs

Performance limits  
(Hot coil at nominal voltage)

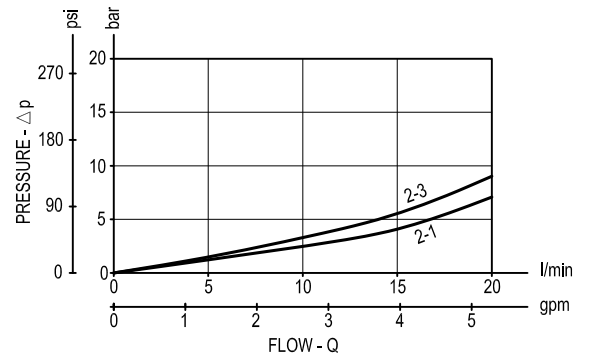
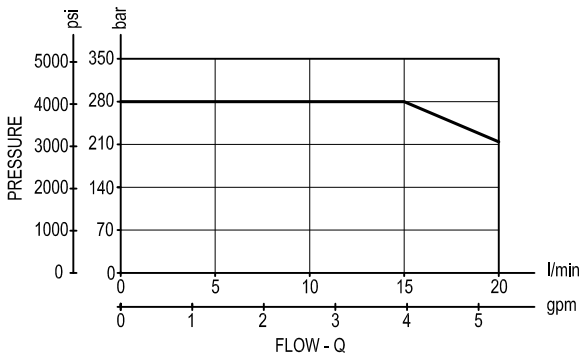


Version 10

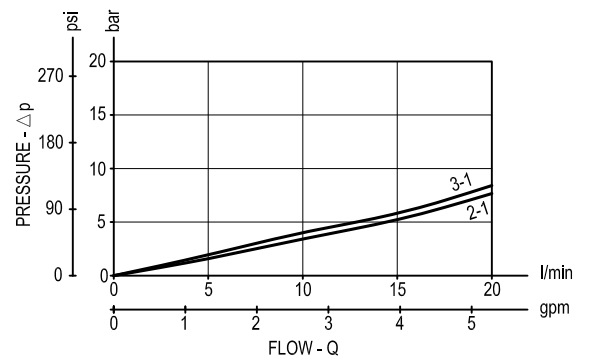
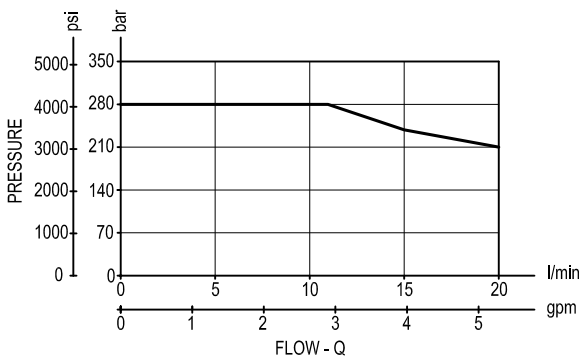
Characteristic curves



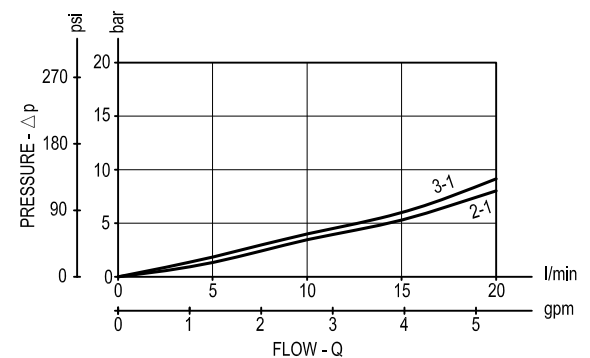
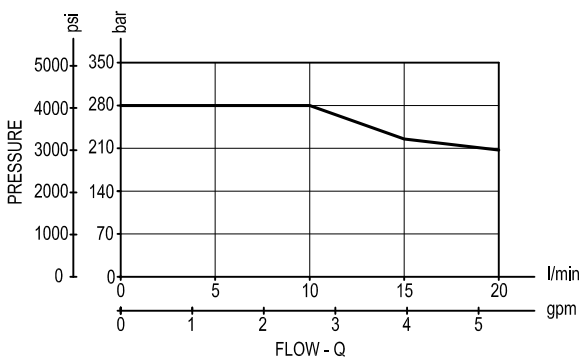
Version 11



Version 20



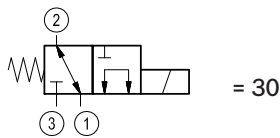
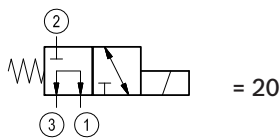
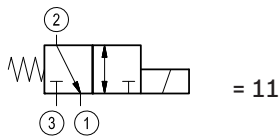
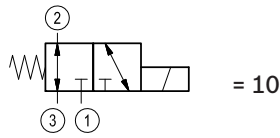
Version 30



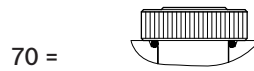
Ordering code

OD.13	*	77	*	00
-------	---	----	---	----

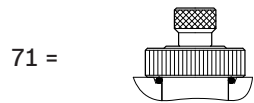
Solenoid operated valves  
spool 4-way 2 position



standard type



Knob style manual override



Common cavity: CA-10A-3N

Type	Material number
OD131077700000	R901113686
OD131077710000	R901113687
OD131177700000	R901125116
OD131177710000	R901126890
OD132077700000	R901113690
OD132077710000	R901113692
OD133077700000	R901115704
OD133077710000	R901126898

Type	Material number