

Single counterbalance

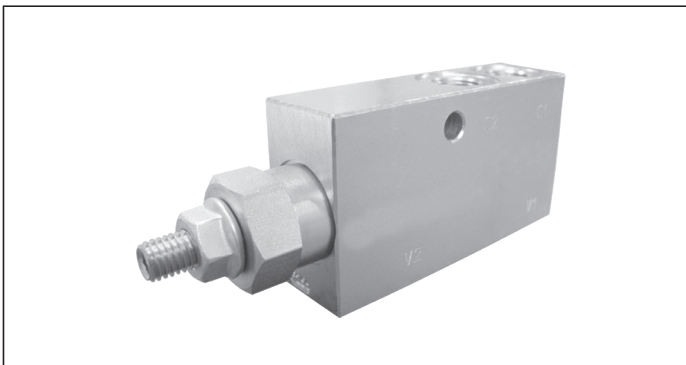
A-VBSO-SE-78-PL

08.49.85 - X - Y - Z

RE 18307-35

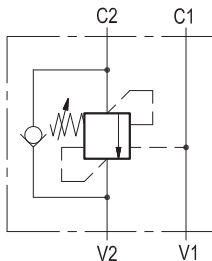
Edition: 11.2018

Replaces: 03.2016



Description

When pressure at V2 rises above the spring bias pressure, the check seat is pushed away from the piston and flow is allowed from V2 to C2. When load pressure at C2 rises above the pressure setting, the direct operated relief function is activated and flow is relieved from C2 to V2. With pilot pressure at V1-C1, the pressure setting is reduced in proportion to the stated ratio of the valve, until opening and allowing flow from C2 to V2. The spring chamber is drained to V2, and back-pressure at V2 is additive to the pressure setting in all functions.

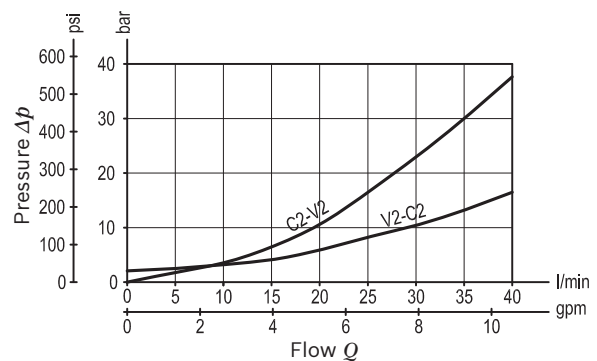


Technical data

Max. operating pressure	350 bar (5000 psi)
Max. flow	40 l/min. (11 gpm)
Weight	0.76 kg (1.68 lbs)
Manifold material	Zinc plated steel
Fluid	Mineral oil (HL, HLP) according to DIN 51524
Fluid temperature range	-30 °C to 100 (-22 to 212 °F)
Viscosity range	5 to 800 mm ² /s (cSt)
Recommended degree of fluid contamination	Class 19/17/14 according to ISO 4406
MTTFD	150 years see RE 18350-51
Other technical data	see data sheet 18350-50
Relief setting:	at least 1.3 times the load induced pressure.

Note: for applications outside these parameters, please consult us.

Characteristic curve




Ordering code

08.49.85	X	Y	Z
-----------------	----------	----------	----------

Single counterbalance	
Pilot ratio	
03	4.1 : 1

Port sizes	V2 - C2	C1 - C2	
09	G 1/4	G 1/4	

SPRINGS			
	Adj. pressure range bar (psi)	Pres. increase bar/turn (psi/turn)	Std. setting Q=5 (l/min) bar (psi)
35	200-350 (2900-5000)	175 (2538)	350 (5000)

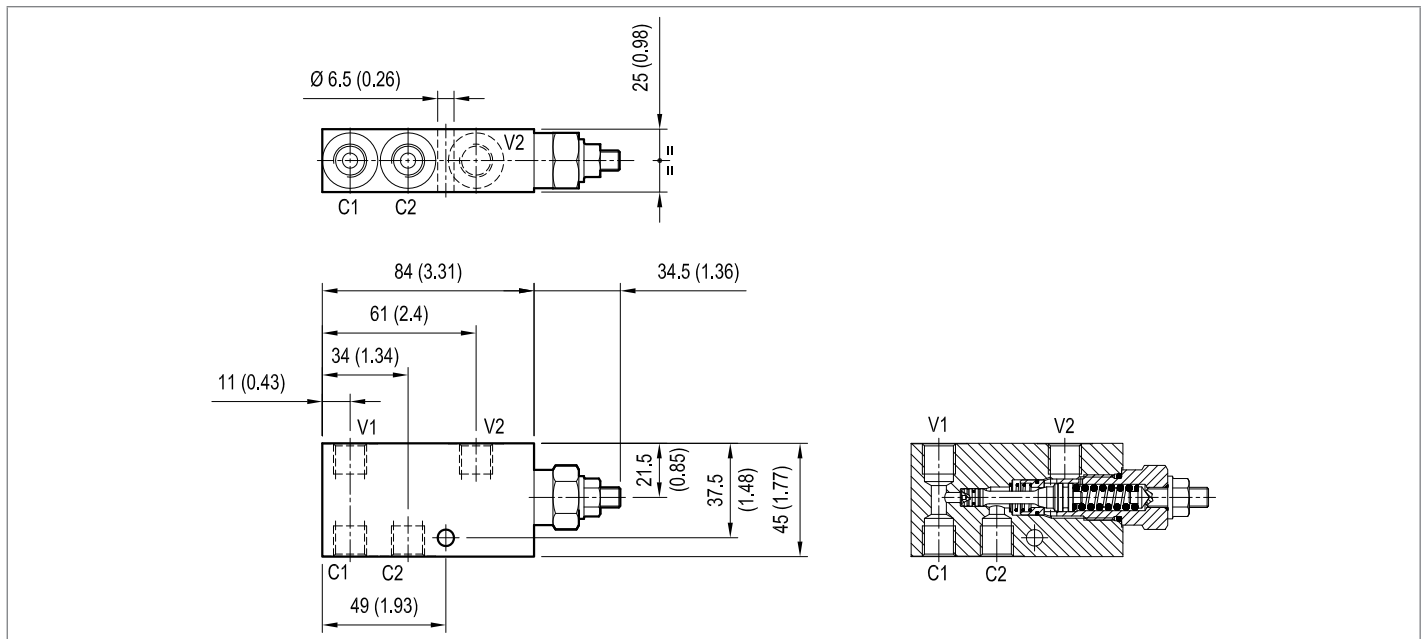
Tamper resistant cap code ordering code 11.04.23.002
 Mat. no. R930000752 

Preferred types

Type	Material number
08498503093500A	R930004003

Type	Material number

Dimensions



Bosch Rexroth Oil Control S.p.A.

Via Leonardo da Vinci 5
 P.O. Box no. 5
 41015 Nonantola – Modena, Italy
 Tel. +39 059 887 611
 Fax +39 059 547 848
 compact-hydraulics-pib@boschrexroth.com
 www.boschrexroth.com/compacthydraulics

© This document, as well as the data, specifications and other information set forth in it, are the exclusive property of Bosch Rexroth Oil Control S.p.a.. It may not be reproduced or given to third parties without its consent. The data specified above only serve to describe the product. No statements concerning a certain condition or suitability for a certain application can be derived from our information. The information given does not release the user from the obligation of own judgment and verification. It must be remembered that our products are subject to a natural process of wear and aging. Subject to change.