

# Dual counterbalance

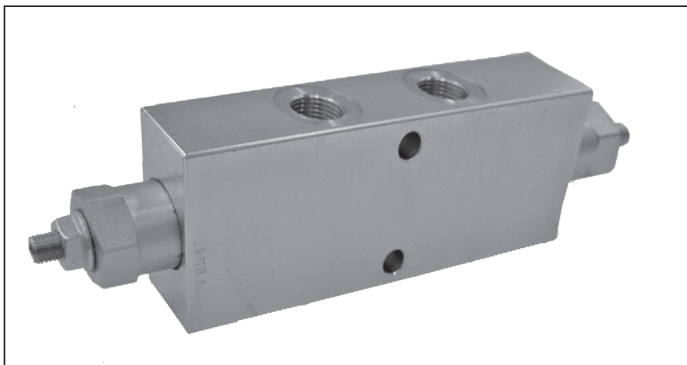
A-VBSO-DE-78

08.46.11 - X - Y - Z

**RE 18307-55**

Edition: 10.2019

Replaces: 0.2016



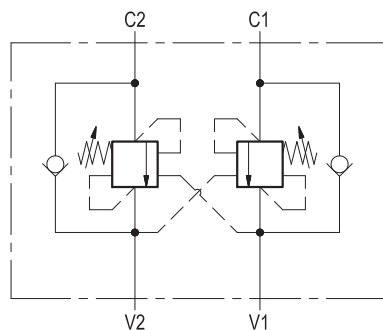
## Technical data

Max. operating pressure	350 bar (5000 psi)
Max. flow	40 l/min. (11 gpm)
Weight	1.2 kg (2.7 lbs)
Manifold material	Zinc plated steel
Fluid	Mineral oil (HL, HLP) according to DIN 51524
Fluid temperature range	-30 °C to 100 (-22 to 212 °F)
Viscosity range	5 to 800 mm <sup>2</sup> /s (cSt)
Recommended degree of fluid contamination	Class 19/17/14 according to ISO 4406
MTTFD	150 years see RE 18350-51
Other technical data	see data sheet 18350-50
Relief setting:	at least 1.3 times the load induced pressure.

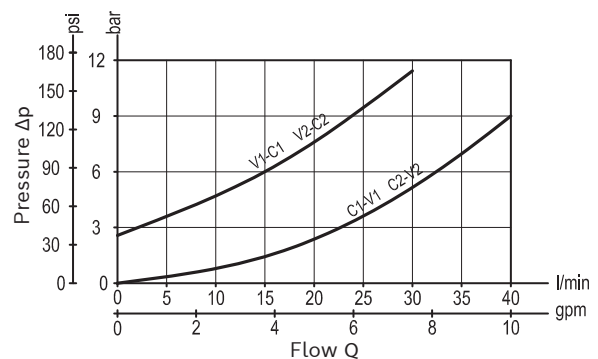
Note: for applications outside these parameters, please consult us.

## Description

It provides static and dynamic control of load by regulating the flow IN and OUT of the actuator, through ports C1 and C2. This valve module includes 2 sections, each one composed by a check and a relief valve pilot assisted by pressure in the opposite line: the check section allows free flow into the actuator, then locks the load against reverse movement; with pilot pressure applied at the line across, the pressure setting of the relief is reduced in proportion to the stated ratio until opening and allowing controlled reverse flow. Back-pressure at V1 or V2 is additive to the pressure settings in all functions.



## Characteristic curve




**Ordering code**

<b>08.46.11</b>	<b>X</b>	<b>Y</b>	<b>Z</b>
-----------------	----------	----------	----------

Dual counterbalance	
Pilot ratio	
<b>03</b>	4.1 : 1

Port sizes	V1 - V2	C1 - C2	
<b>09</b>	G 1/4	G 1/4	

SPRINGS			
	Adj. pressure range bar (psi)	Pres. increase bar/turn (psi/turn)	Std. setting Q=5 (l/min) bar (psi)
<b>35</b>	200-350 (2900-5000)	175 (2538)	350 (5000)

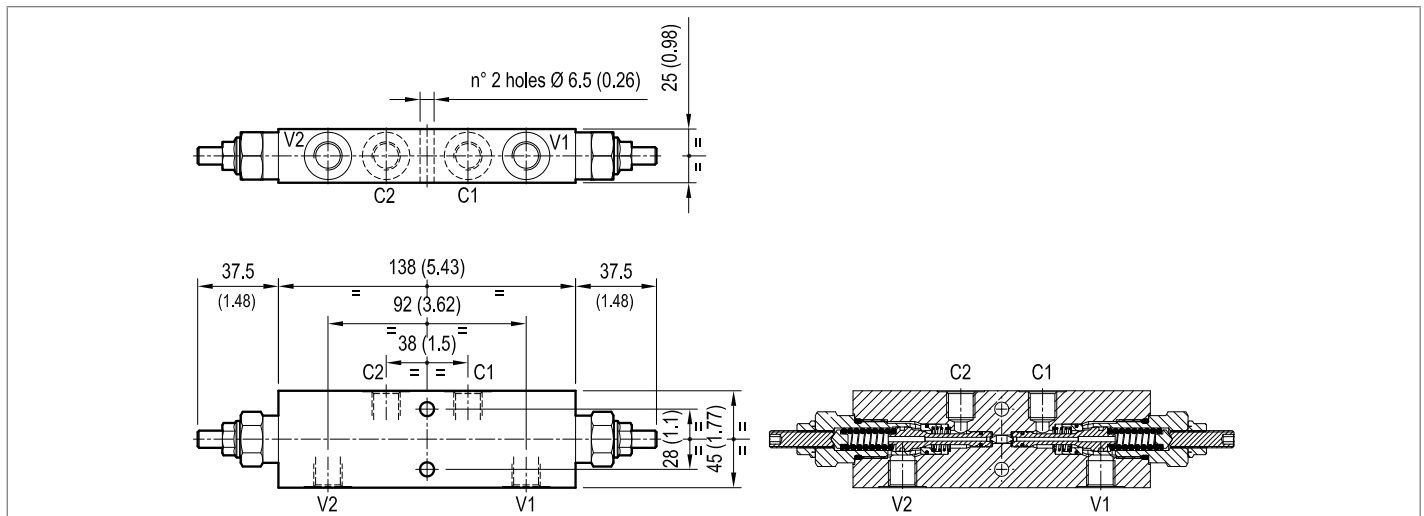
Tamper resistant cap code  
ordering code 11.04.23.002  
Mat. no. R930000752 

**Preferred types**

Type	Material number
084611030935000	R930003606

Type	Material number

**Dimensions**



**Bosch Rexroth Oil Control S.p.A.**

Via Leonardo da Vinci 5  
P.O. Box no. 5  
41015 Nonantola – Modena, Italy  
Tel. +39 059 887 611  
Fax +39 059 547 848  
compact-hydraulics-pib@boschrexroth.com  
www.boschrexroth.com/compacthydraulics

© This document, as well as the data, specifications and other information set forth in it, are the exclusive property of Bosch Rexroth Oil Control S.p.a.. It may not be reproduced or given to third parties without its consent. The data specified above only serve to describe the product. No statements concerning a certain condition or suitability for a certain application can be derived from our information. The information given does not release the user from the obligation of own judgment and verification. It must be remembered that our products are subject to a natural process of wear and aging. Subject to change.