

Motion control

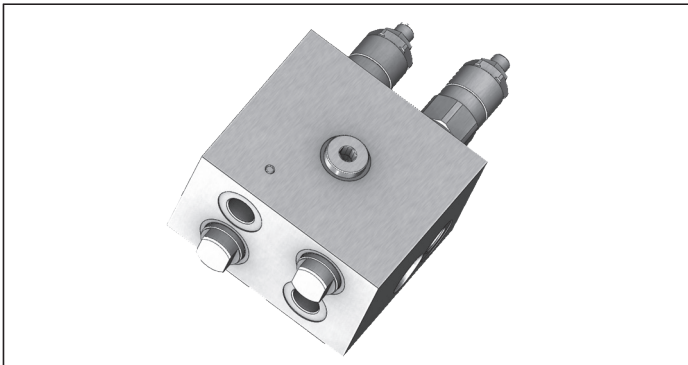
VAA-B-SIC50-38

05.71.09 - X - 02 - Z

RE 18308-85

Edition: 03.2016

Replaces: 05.2013



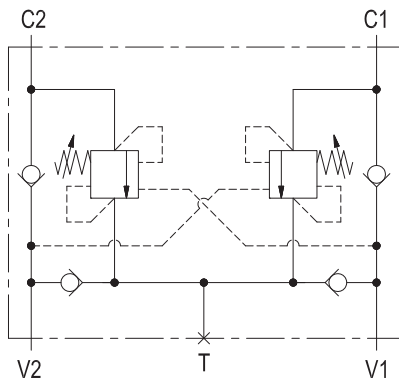
Technical data

Operating pressure	up to 210 bar (3000 psi)
Max. flow	40 l/min. (11 gpm)
Weight	2.8 kg (6.2 psi)
Manifold material	Aluminium
Note: aluminium bodies are often strong enough for operating pressures exceeding 210 bar (3000 psi), depending from the fatigue life expected in the specific application. If in doubt, consult our Service Network.	
Fluid	Mineral oil (HL, HLP) according DIN 51524
Fluid temperature range	-30 °C to 100 (-22 to 212 °F)
Viscosity range	10 to 500 mm ² /s (cSt)
Recommended degree of fluid contamination	Class 19/17/14 according to ISO 4406
Other technical data	see data sheet 18350-50
Relief setting: at least 1.3 times the highest expected load.	

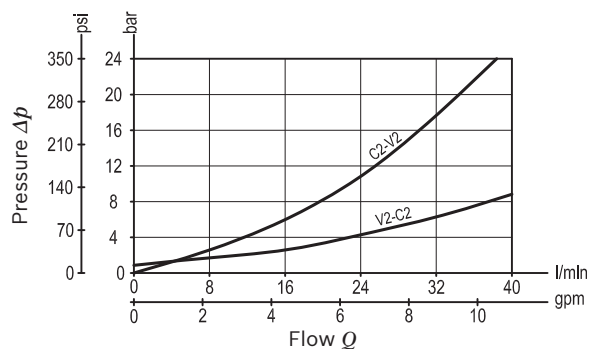
Note: for applications outside these parameters, please consult us.

Description

It provides static and dynamic motion control by regulating flow and pressure IN and OUT of the hydraulic motor at ports C1 and C2. When installed close to the motor, it can stop runaway in case of hose failure. The check sections allow free flow into the motor and prevent reverse movement; the pilot assisted relief valves control the movement when pilot pressure is applied. A system of check valves allows cross line relief; an optional make-up port (T) allows to compensate for any volume change.



Characteristic curve



Ordering code

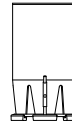
05.71.09	X	02	Z
----------	---	----	---

Motion control	
Pilot ratio	
10	3:1

	SPRINGS		
	Adj. pressure range bar (psi)	Pres. increase bar/turn (psi/turn)	Std. setting Q=5 (l/min) bar (psi)
35	100-350 (1450-5000)	100 (1450)	150 (2200)

Port sizes	V1 - V2	C1 - C2	T
	G 3/8	G 3/8	G 3/8

Tamper resistant cap code
ordering code 03.05.01.001
Mat. no. R930000470

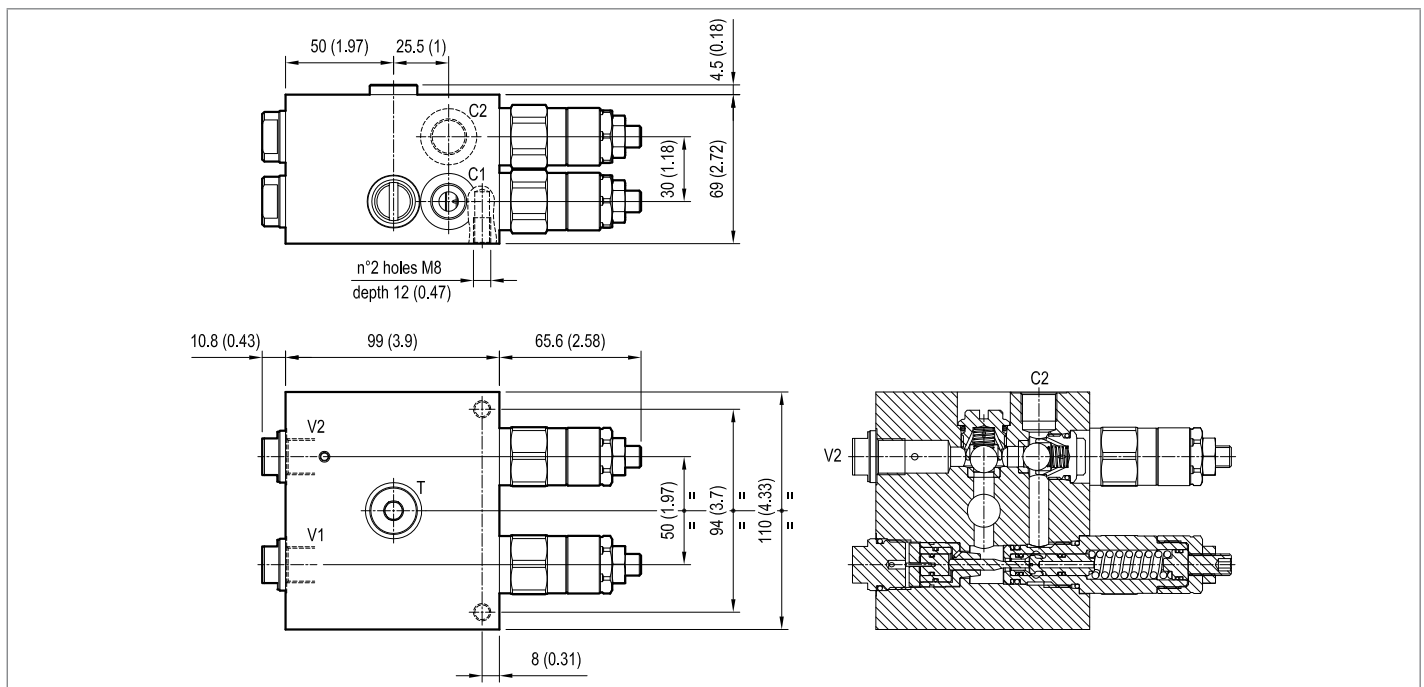


Preferred types

Type	Material number
05710910023500E	R930006884

Type	Material number

Dimensions



Bosch Rexroth Oil Control S.p.A.

Via Leonardo da Vinci 5
P.O. Box no. 5
41015 Nonantola - Modena, Italy
Tel. +39 059 887 611
Fax +39 059 547 848
compact-hydraulics-pib@boschrexroth.com
www.boschrexroth.com/compacthydraulics

© This document, as well as the data, specifications and other information set forth in it, are the exclusive property of Bosch Rexroth Oil Control S.p.a.. It may not be reproduced or given to third parties without its consent. The data specified above only serve to describe the product. No statements concerning a certain condition or suitability for a certain application can be derived from our information. The information given does not release the user from the obligation of own judgment and verification. It must be remembered that our products are subject to a natural process of wear and aging. Subject to change.