

Counterbalance, standard poppet type differential area,  
fixed setting  
SUN cavity interchange, T11-A

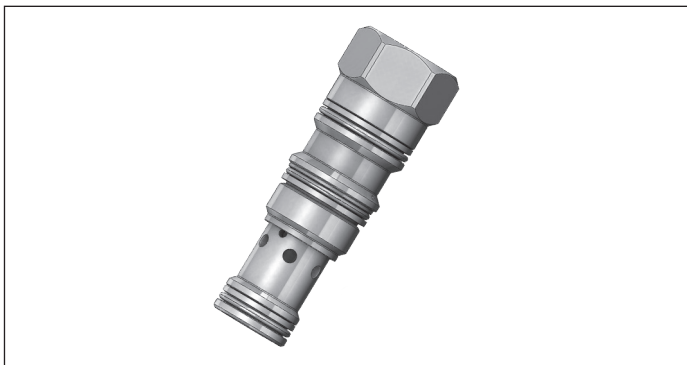
VBSN-08U-TF

04.52.37 - X - 20 - Z

**RE 18319-98**

Edition: 07.2019

Replaces: 02.2019



Technical data	
Max. operating pressure	350 bar (5000 psi)
Max. flow	60 l/min (16 gpm)
Max. internal leakage <sup>1)</sup>	5 drops/min.
Fluid temperature range	-30 to 100 °C (-22 to 212 °F)
Installation torque	40-50 Nm (30-37 ft-lbs)
Weight	0.18 kg (0.39 lbs)
Cavity	SUN T11-A
Lines bodies and standard assemblies	Please refer to section "Hydraulic integrated circuit" or consult factory
Seal kit <sup>2)</sup>	Code: RG08U9020110100 material no: R901193388
Fluids	Mineral-based or synthetics with lubricating properties at viscosities of 10 to 500 mm <sup>2</sup> /s (cSt)
Recommended degree of fluid contamination	Nominal value max. 10µm (NAS 8) / ISO 4406 19/17/14
Installation position	No restrictions
Other Technical Data	See data sheet 18350-50

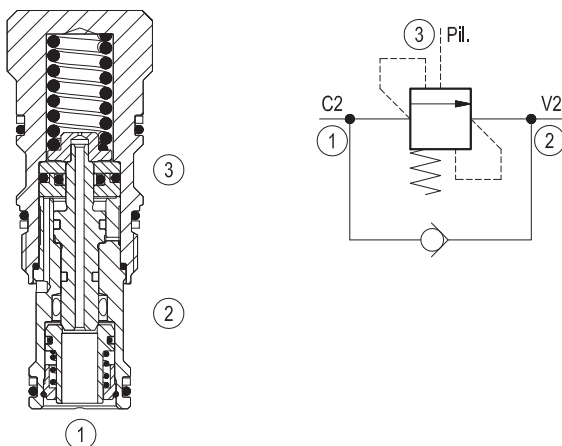
**Description**

When pressure at 2 rises above the spring bias pressure, the check seat is pushed away from the piston and flow is allowed from 2 to 1. When load pressure at 1 rises above the pressure setting, the direct-acting, differential area relief function is activated and flow is relieved from 1 to 2. With pilot pressure at 3, the pressure setting is reduced in proportion to the stated ratio of the valve, until fully open with free-flow from 1 to 2. The spring chamber is drained to 2, and any back-pressure at 2 is additive to the pressure setting in all functions.

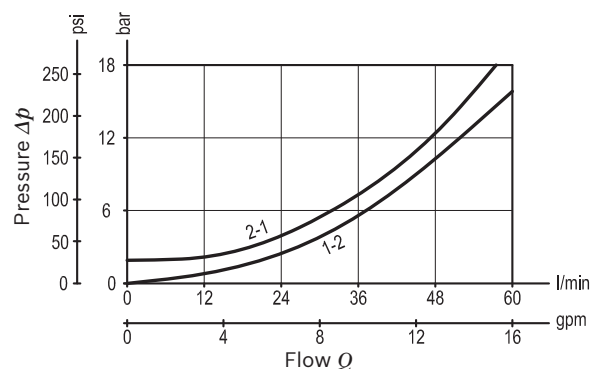
Pressure setting: at least 1.3 times the load induced pressure.

1) At 70% of pressure setting

2) Only external seals for 10 valves



**Characteristic curve**



**Ordering code**

<b>04.52.37</b>	<b>X</b>	<b>20</b>	<b>Z</b>	<b>00</b>	<b>*</b>
-----------------	----------	-----------	----------	-----------	----------

Counterbalance,  
standard poppet type differential area,  
fixed setting

Series 0/A to L  
unchanged performances and dimensions

Version and options standard

Pilot ratio

**03** 3:1 Without sealed pilot piston.

**20** SUN cavity interchange, T11-A

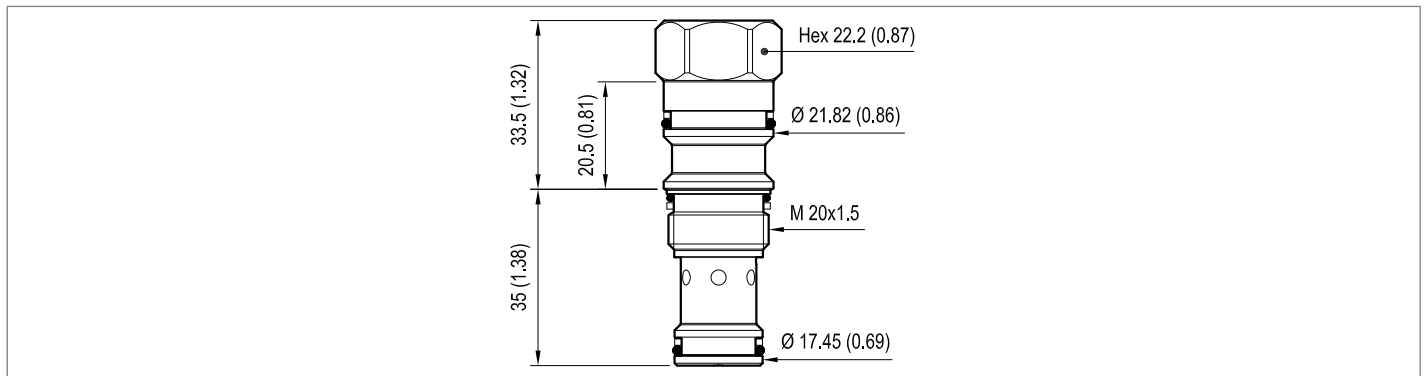
SPRINGS	
	Std. setting bar (psi) Q=5 l/min.
<b>23</b>	230 ± 20 (3350 ± 290)

**Preferred types**

Type	Material number
045237032023000	R930051031

Type	Material number

**Dimensions**



**Bosch Rexroth Oil Control S.p.A.**

Via Leonardo da Vinci 5  
P.O. Box no. 5  
41015 Nonantola – Modena, Italy  
Tel. +39 059 887 611  
Fax +39 059 547 848  
compact-hydraulics-cv@boschrexroth.com  
www.boschrexroth.com/compacthydraulics

© This document, as well as the data, specifications and other information set forth in it, are the exclusive property of Bosch Rexroth Oil Control S.p.a.. It may not be reproduced or given to third parties without its consent. The data specified above only serve to describe the product. No statements concerning a certain condition or suitability for a certain application can be derived from our information. The information given does not release the user from the obligation of own judgment and verification. It must be remembered that our products are subject to a natural process of wear and aging. Subject to change.