

Pilot operated check,
pilot to close
SUN cavity interchange, T-19A

VUPC-25U

04.34.04 - X - 50 - Z

RE 18319-29

Edition: 03.2016

Replaces: 11.2012

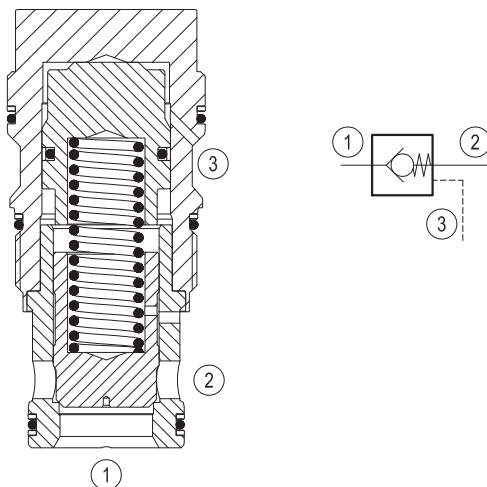


Technical data

Max. operating pressure	350 bar (5000 psi)
Max. flow	560 l/min. (148 gpm)
Pilot ratio	1.9:1
Max. internal leakage	5 drops/min.
Fluid temperature range	-30 to 100 °C (-22 to 212 °F)
Installation torque	465 - 500 Nm (344 - 370 ft-lbs)
Weight	1.2 kg (2.6 lbs)
Cavity	SUN T-19A
MTTFd	150 years see data sheet 18350-51
Lines bodies and standard assemblies	Please refer to section "Hydraulic integrated circuit" or consult factory
Seal kit ¹⁾	Code: RG25U9020140100 material no: R930007031
Fluids	Mineral-based or synthetics with lubricating properties at viscosities of 5 to 800 mm ² /s (cSt)
Recommended degree of fluid contamination	Nominal value max. 10µm (NAS 8) / ISO 4406 19/17/14
Installation position	No restrictions
Other Technical Data	See data sheet 18350-50

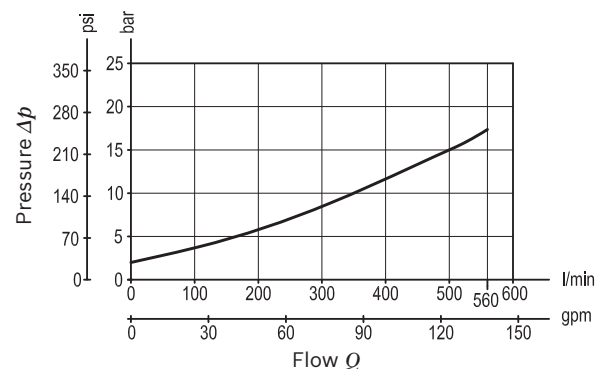
Description

When pressure at 1 rises above the spring bias pressure, the poppet is lifted and flow allowed from 1 to 2. The valve is closed (checked) from 2 to 1. When sufficient pilot pressure is present at port 3, the pilot piston acts to hold the poppet on its seat and flow is blocked from 1 to 2. Precision machining and hardening processes allow virtually leak-free performance in the checked condition.



1) Only external seals for 10 valves

Characteristic curve



Ordering code

04.34.04	X	50	Z	00	*
-----------------	----------	-----------	----------	-----------	----------

Pilot operated check, pilot to close

O-Ring on pilot piston

10 With O-Ring

50 SUN cavity interchange, T-19A

Series 0/A to L
unchanged performances and dimensions

Version and options standard

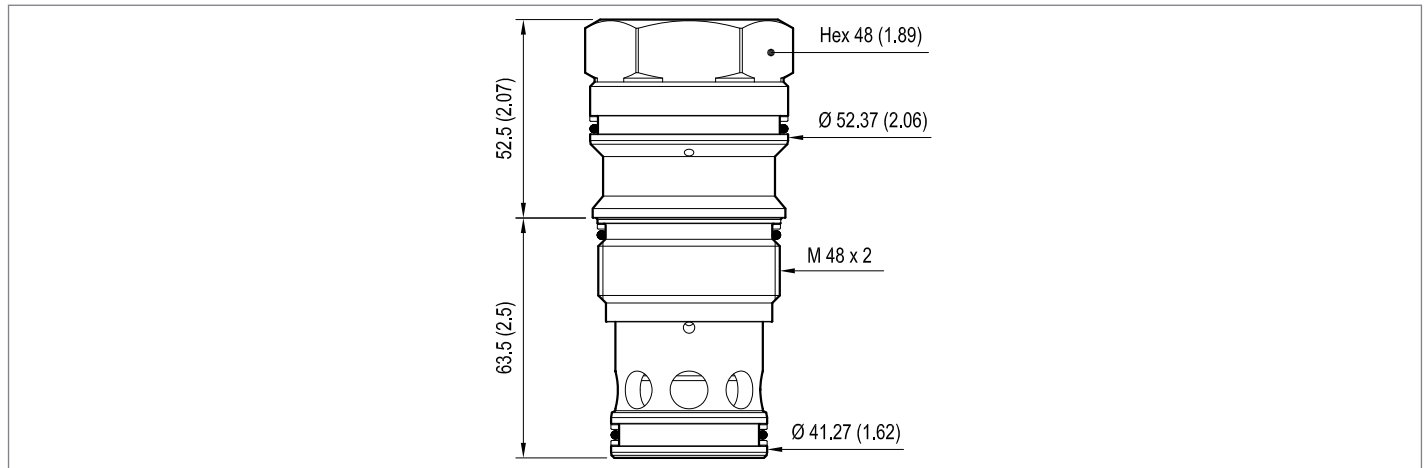
SPRINGS	
Cracking pressure bar (psi)	
00	1 (15)
02	2 (29)

Preferred types

Type	Material number
043404105000000	R930007037
043404105002000	R930007030

Type	Material number

Dimensions



Bosch Rexroth Oil Control S.p.A.

Via Leonardo da Vinci 5
P.O. Box no. 5
41015 Nonantola – Modena, Italy
Tel. +39 059 887 611
Fax +39 059 547 848
compact-hydraulics-cv@boschrexroth.com
www.boschrexroth.com/compacthydraulics

© This document, as well as the data, specifications and other information set forth in it, are the exclusive property of Bosch Rexroth Oil Control S.p.a.. It may not be reproduced or given to third parties without its consent. The data specified above only serve to describe the product. No statements concerning a certain condition or suitability for a certain application can be derived from our information. The information given does not release the user from the obligation of own judgment and verification. It must be remembered that our products are subject to a natural process of wear and aging. Subject to change.