

Pilot operated check,  
pilot to open  
SUN cavity interchange, T-17A

VSON-16U

04.33.09 - X - 47 - Z

**RE 18319-41**

Edition: 09.2019

Replaces: 01.2019



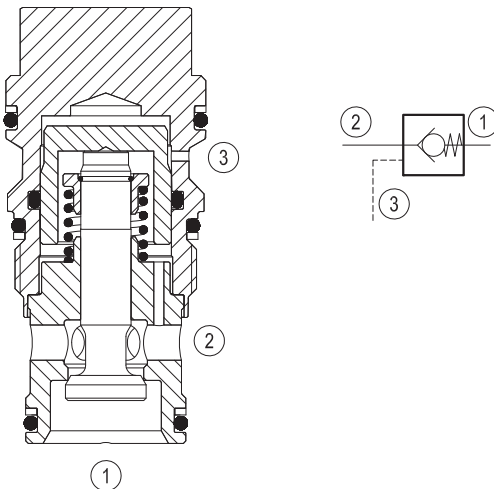
**Technical data**

Max. operating pressure	350 bar (5000 psi)
Max. flow	240 l/min. (63 gpm)
Pilot ratio	3:1
Max. internal leakage	5 drops/min.
Fluid temperature range	-30 to 100 °C (-22 to 212 °F)
Installation torque	200 - 215 Nm (148 - 159 ft-lbs)
Weight	0.67 kg (1.48 lbs)
Cavity	SUN T-17A
Lines bodies and standard assemblies	Please refer to section "Hydraulic integrated circuit" or consult factory
Seal kit <sup>1)</sup>	Code: RG16U9020110100 material no: R930000995
Fluids	Mineral-based or synthetics with lubricating properties at viscosities of 5 to 800 mm <sup>2</sup> /s (cSt)
Recommended degree of fluid contamination	Nominal value max. 10µm (NAS 8) / ISO 4406 20/18/15
Installation position	No restrictions
Other Technical Data	See data sheet 18350-50

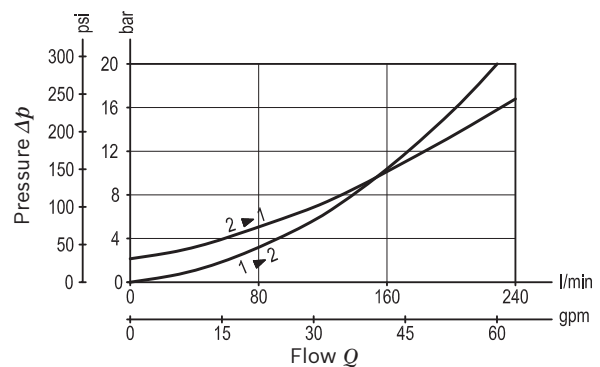
1) Only external seals for 10 valves

**Description**

When pressure at 2 rises above the spring bias pressure, the poppet is pushed from its seat and flow is allowed from 2 to 1. The valve is normally closed (checked) from 1 to 2. When sufficient pilot pressure is present at port 3, the pilot piston acts to push the poppet from its seat and flow is allowed from 1 to 2. Precision machining and hardening processes allow virtually leak-free performance in the checked condition. In case of valve application in redundancy systems it is especially recommended to use version with sealed pilot piston.



**Characteristic curve**



**Ordering code**

<b>04.33.09</b>	<b>X</b>	<b>47</b>	<b>Z</b>	<b>00</b>	<b>*</b>
-----------------	----------	-----------	----------	-----------	----------

Pilot operated check, pilot to open

O-Ring on pilot piston

**00** No O-Ring

**10** With O-Ring

**47** SUN cavity interchange, SUN T-17A

Series 0/A to L  
unchanged performances and dimensions

Version and options standard

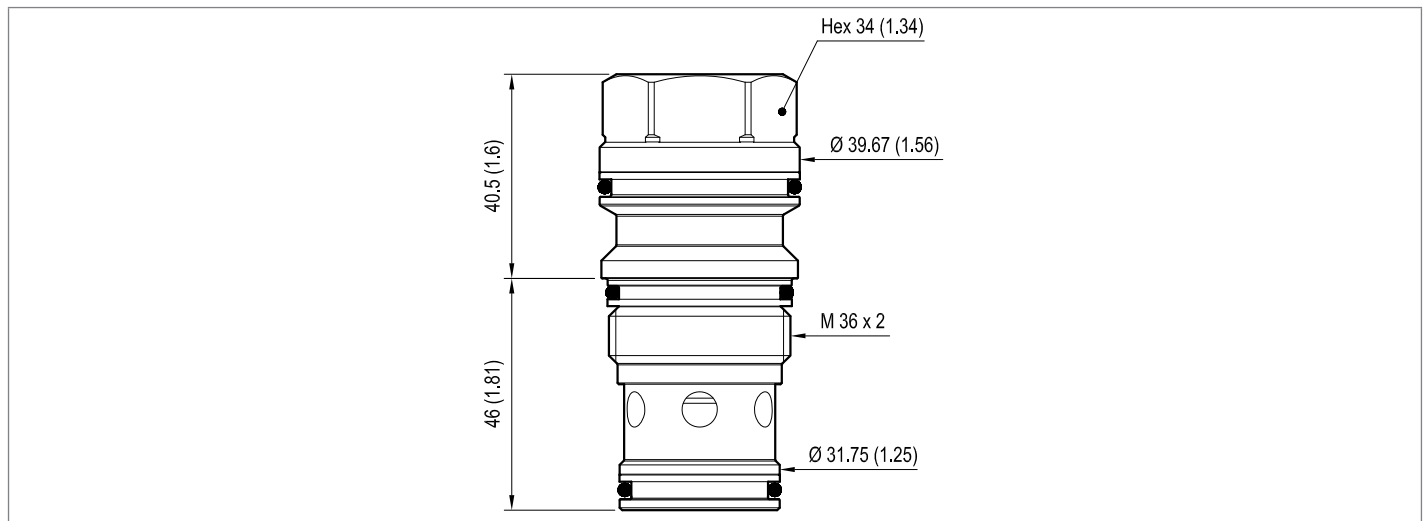
SPRINGS	
	Cracking pressure bar (psi)
<b>00</b>	1.5 (22)

**Preferred types**

Type	Material number
043309004700000	R901106640
043309104700000	R901106641

Type	Material number

**Dimensions**



**Bosch Rexroth Oil Control S.p.A.**

Via Leonardo da Vinci 5  
P.O. Box no. 5  
41015 Nonantola – Modena, Italy  
Tel. +39 059 887 611  
Fax +39 059 547 848  
compact-hydraulics-cv@boschrexroth.com  
www.boschrexroth.com/compacthydraulics

© This document, as well as the data, specifications and other information set forth in it, are the exclusive property of Bosch Rexroth Oil Control S.p.a.. It may not be reproduced or given to third parties without its consent. The data specified above only serve to describe the product. No statements concerning a certain condition or suitability for a certain application can be derived from our information. The information given does not release the user from the obligation of own judgment and verification. It must be remembered that our products are subject to a natural process of wear and aging. Subject to change.