

Check, poppet type
with thermal relief
Common cavity, Size 10

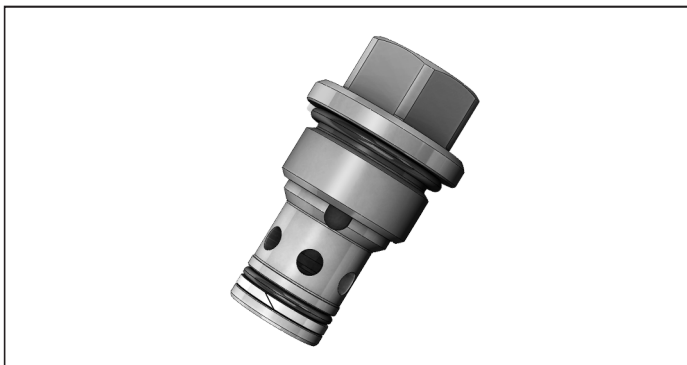
VUCN-10A-TR

04.31.37 - X - 85 - Z

RE 18318-94

Edition: 03.2016

Replaces: 09.2012



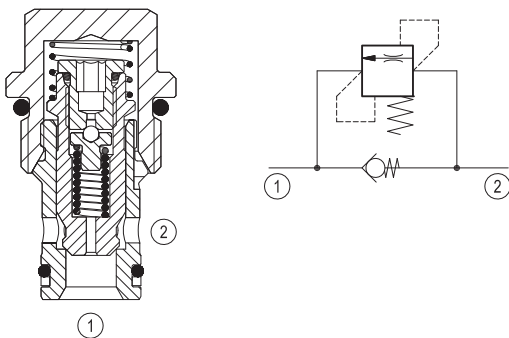
Description

When pressure at 1 rises above the spring bias pressure, the poppet is lifted and flow allowed from 1 to 2. The valve is closed (checked) from 2 to 1. If the pressure at 2 increases to meet the thermal relief valve setting, a small amount of oil is allowed from 2 to 1, preventing damage from increasing pressure. Precision machining and hardening processes allow virtually leak-free performance in the checked condition.

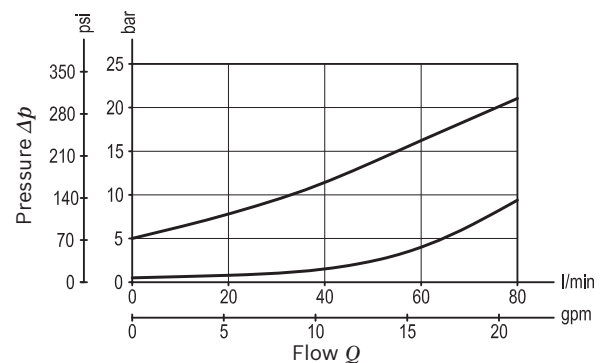
Technical data

Max. operating pressure	350 bar (5000 psi)
Max. flow	80 l/min (21 gpm)
Max. flow relief function	1 l/min. (0.26 gpm)
Thermal relief setting	350 ± 20 bar (5000 ± 290 psi)
Thermal relief reset	270 bar (4000 psi)
Max. internal leakage	15 drops/min. at 250 bar (3600 psi)
Fluid temperature range	-30 to 100 °C (-22 to 212 °F)
Installation torque	41 - 47 Nm (30 - 35 ft-lbs)
Weight	0.15 kg (0.33 lbs)
Cavity	CA-10A-2N (see data sheet 18325-70)
Lines bodies and standard assemblies	Please refer to section "Hydraulic integrated circuit" or consult factory
Seal kit ¹⁾	Code: RG10A2010520100 material no: R901111363
Fluids	Mineral-based or synthetics with lubricating properties at viscosities of 10 to 500 mm ² /s (cSt)
Recommended degree of fluid contamination	Nominal value max. 10µm (NAS 8) / ISO 4406 19/17/14
Installation position	No restrictions
Other Technical Data	See data sheet 18350-50

1) Only external seals for 10 valves



Characteristic curve



Ordering code

04.31.37	X	85	Z	00	*
-----------------	----------	-----------	----------	-----------	----------

Check, poppet type with thermal relief

Thermal relief Std. Setting bar (psi)

35 350 ± 20 (5000 ± 290)

(Different pressure settings available on request)

85 Common cavity, Size 10

Series 0/A to L
unchanged performances and dimensions

Version and options standard

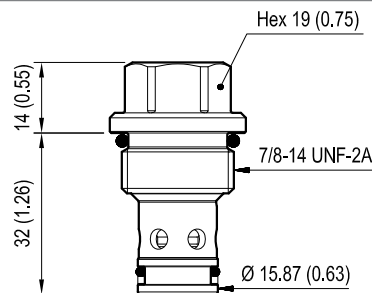
SPRINGS	
Cracking pressure bar (psi)	
00	0.5 (7)
05	5 (72)

Preferred types

Type	Material number
04313735850000B	R930005830
043137358505000	R931002579

Type	Material number

Dimensions



Bosch Rexroth Oil Control S.p.A.

Via Leonardo da Vinci 5
P.O. Box no. 5
41015 Nonantola – Modena, Italy
Tel. +39 059 887 611
Fax +39 059 547 848
compact-hydraulics-cv@boschrexroth.com
www.boschrexroth.com/compacthydraulics

© This document, as well as the data, specifications and other information set forth in it, are the exclusive property of Bosch Rexroth Oil Control S.p.a.. It may not be reproduced or given to third parties without its consent. The data specified above only serve to describe the product. No statements concerning a certain condition or suitability for a certain application can be derived from our information. The information given does not release the user from the obligation of own judgment and verification. It must be remembered that our products are subject to a natural process of wear and aging. Subject to change.